

STERLING®

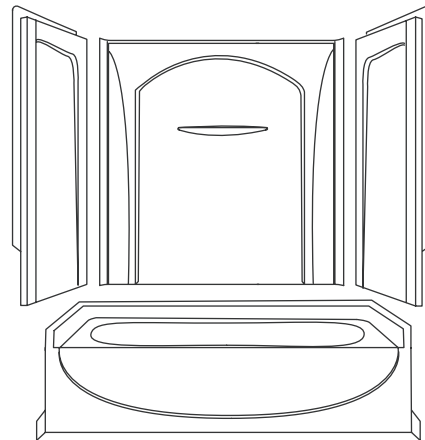
A KOHLER COMPANY

ACCLAIM™

Features

- Compression molded from our exclusive solid Vikrell® material
- Tongue-and-groove 4-piece modular design allows for easy "snap together" installation
- Durable high-gloss finish
- 10-year consumer/3-year commercial limited warranty
- Installation with wall surrounds is the only recommended installation
- 15" (38.1 cm) bath depth (floor to top of threshold)
- 60-1/4" (153 cm) x 31-1/2" (80 cm) x 73-1/2" (186.7 cm) complete unit rough-in dimensions include flanges
- 60" (152.4 cm) x 30" (76.2 cm) x 72" (182.9 cm) complete unit finished dimensions

60" (152.4 cm) BATH AND WALL SURROUND
71090110
ALSO 71090120, 71090410, 71090420



Codes/Standards Applicable

Specified model meets or exceeds the following:

- ANSI Z124.1.2
- HUD, UM Bulletin 73A
- NAHB Research Foundation, Inc.
- ASTM E162
- ASTM E662
- CSA B45

Colors/Finishes

- 0: White
- Other: Refer to Price Book for additional colors/finishes

Specified Model

Model	Complete Unit Description	Colors/Finishes	
71090110	60" (152.4 cm) bath and wall surround, left drain	<input type="checkbox"/> 0	<input type="checkbox"/> Other _____
71090120	60" (152.4 cm) bath and wall surround, right drain	<input type="checkbox"/> 0	<input type="checkbox"/> Other _____
71090410	60" (152.4 cm) bath and wall surround, 4 pack, left drain	<input type="checkbox"/> 0	<input type="checkbox"/> Other _____
71090420	60" (152.4 cm) bath and wall surround, 4 pack, right drain	<input type="checkbox"/> 0	<input type="checkbox"/> Other _____
71091110	60" (152.4 cm) bath only, left drain	<input type="checkbox"/> 0	<input type="checkbox"/> Other _____
71091120	60" (152.4 cm) bath only, right drain	<input type="checkbox"/> 0	<input type="checkbox"/> Other _____
71091410	60" (152.4 cm) bath only, 4 pack, left drain	<input type="checkbox"/> 0	<input type="checkbox"/> Other _____
71091420	60" (152.4 cm) bath only, 4 pack, right drain	<input type="checkbox"/> 0	<input type="checkbox"/> Other _____

Model	Wall Component Description	Colors/Finishes	
71092100	Back wall	<input type="checkbox"/> 0	<input type="checkbox"/> Other _____
71093110	Left end wall	<input type="checkbox"/> 0	<input type="checkbox"/> Other _____
71903120	Right end wall	<input type="checkbox"/> 0	<input type="checkbox"/> Other _____
71094100	Complete wall set	<input type="checkbox"/> 0	<input type="checkbox"/> Other _____
71095100	End wall set	<input type="checkbox"/> 0	<input type="checkbox"/> Other _____

Technical Information

Fixture*:	
Basin area:	
Bathing well	42" (106.7 cm) x 16-1/4" (41.3 cm)
Top area	56" (142.2 cm) x 23-3/4" (60.3 cm)
To overflow:	
Water depth	12" (30.5 cm)
Capacity	34 gal (128.7 L)
* Approximate measurements for comparison only.	

Model	door maximum width	door maximum height
71090110	58-1/2" (148.4 cm)	56-1/2" (143.5 cm)
71090120		
71090410		
71090420		
71091110	58-1/2" (148.4 cm)*	NA*
71091120		
71091410		
71091420		
* Varies with alternative walls.		

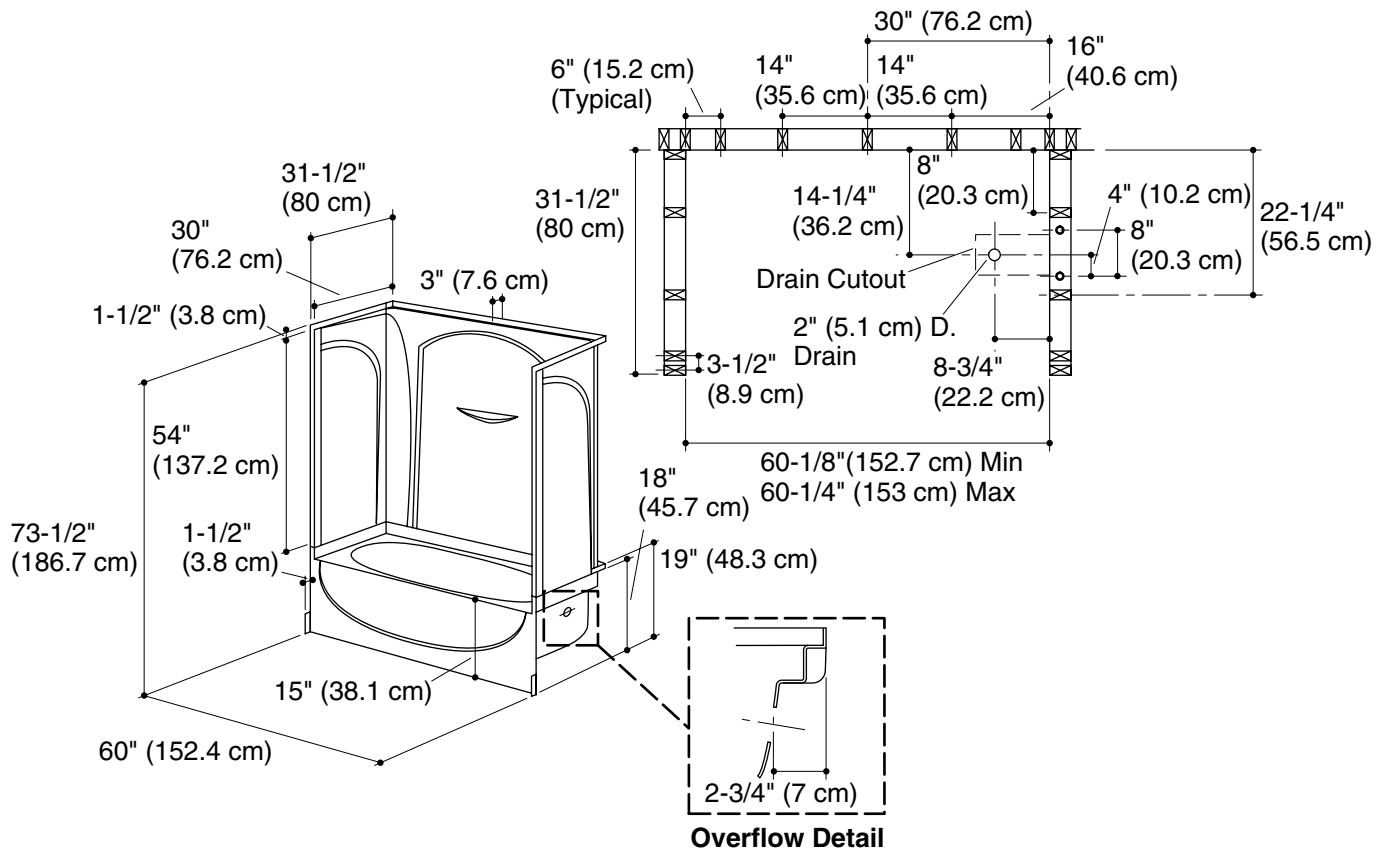
Installation Notes

Install this product according to the installation guide.

Size the drain cutout to fit the drain assembly that will be used.

End stud positioning is critical if apron nailing-in flanges are to be used.

Studs should be positioned roughly as shown.



Product Diagram