

# STERLING®

A KOHLER COMPANY

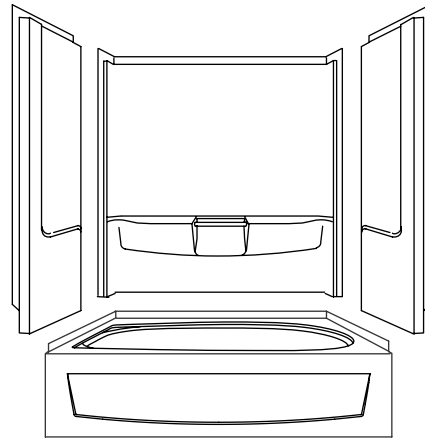
PERFORMA™

## Features

- Compression molded from our exclusive solid Vikrell® material
- Above-floor-drain (AFD) rough-in
- Factory installed apron extension made of Vikrell® and injection molded undersupport structure
- Durable high-gloss finish
- Tongue-and-groove 4-piece modular design allows for easy "snap together" installation
- 10-year consumer/3-year commercial limited warranty
- 17-1/4" (43.8 cm) bath depth (floor to top of threshold)
- 60-1/4" (153 cm) x 30-1/4" (76.8 cm) x 78-3/4" (200 cm) unit rough-in dimensions includes flanges
- 60" (152.4 cm) x 29" (73.7 cm) x 77-3/4" (197.5 cm) complete unit finished dimensions

60" (152.4 cm) AFD BATH AND WALL SURROUND

**71040112**  
ALSO 71040122



## Codes/Standards Applicable

Specified model meets or exceeds the following:

- ANSI Z124.1.2
- ASTM E162
- ASTM E662
- HUD, UM Bulletin 73A
- NAHB Research Foundation, Inc.
- CSA B45

## Colors/Finishes

- 0: White
- Other: Refer to Price Book for additional colors/finishes

## Specified Model

Model	Complete Unit Description	Colors/Finishes	
71040112	60" (152.4 cm) AFD bath and wall surround, left drain	<input type="checkbox"/> 0	<input type="checkbox"/> Other_____
71040122	60" (152.4 cm) AFD bath and wall surround, right drain	<input type="checkbox"/> 0	<input type="checkbox"/> Other_____

Model	Wall Component Description	Colors/Finishes	
71042100	Back wall	<input type="checkbox"/> 0	<input type="checkbox"/> Other_____
71043110	Left end wall	<input type="checkbox"/> 0	<input type="checkbox"/> Other_____
71043120	Right end wall	<input type="checkbox"/> 0	<input type="checkbox"/> Other_____
71044100	Complete wall set	<input type="checkbox"/> 0	<input type="checkbox"/> Other_____
71045100	End wall set	<input type="checkbox"/> 0	<input type="checkbox"/> Other_____

Model	Age in Place Component Description	Colors/Finishes	
71040118	AFD complete unit with age in place backers, left drain	<input type="checkbox"/> 0	<input type="checkbox"/> Other_____
71040128	AFD complete unit with age in place backers, right drain	<input type="checkbox"/> 0	<input type="checkbox"/> Other_____
71041112	AFD bath only, left drain	<input type="checkbox"/> 0	<input type="checkbox"/> Other_____
71041122	AFD bath only, right drain	<input type="checkbox"/> 0	<input type="checkbox"/> Other_____
71044106	Complete backed wall set	<input type="checkbox"/> 0	<input type="checkbox"/> Other_____

# PERFORMA™

## Technical Information

Fixture*:	
Basin area:	
Bathing well	21" (53.3 cm) x 39" (99.1 cm)
Top area	24" (61 cm) x 53" (134.6 cm)
To overflow:	
Water depth	10-1/4" (26 cm)
Capacity	35 gal (132.5 L)
* Approximate measurements for comparison only.	

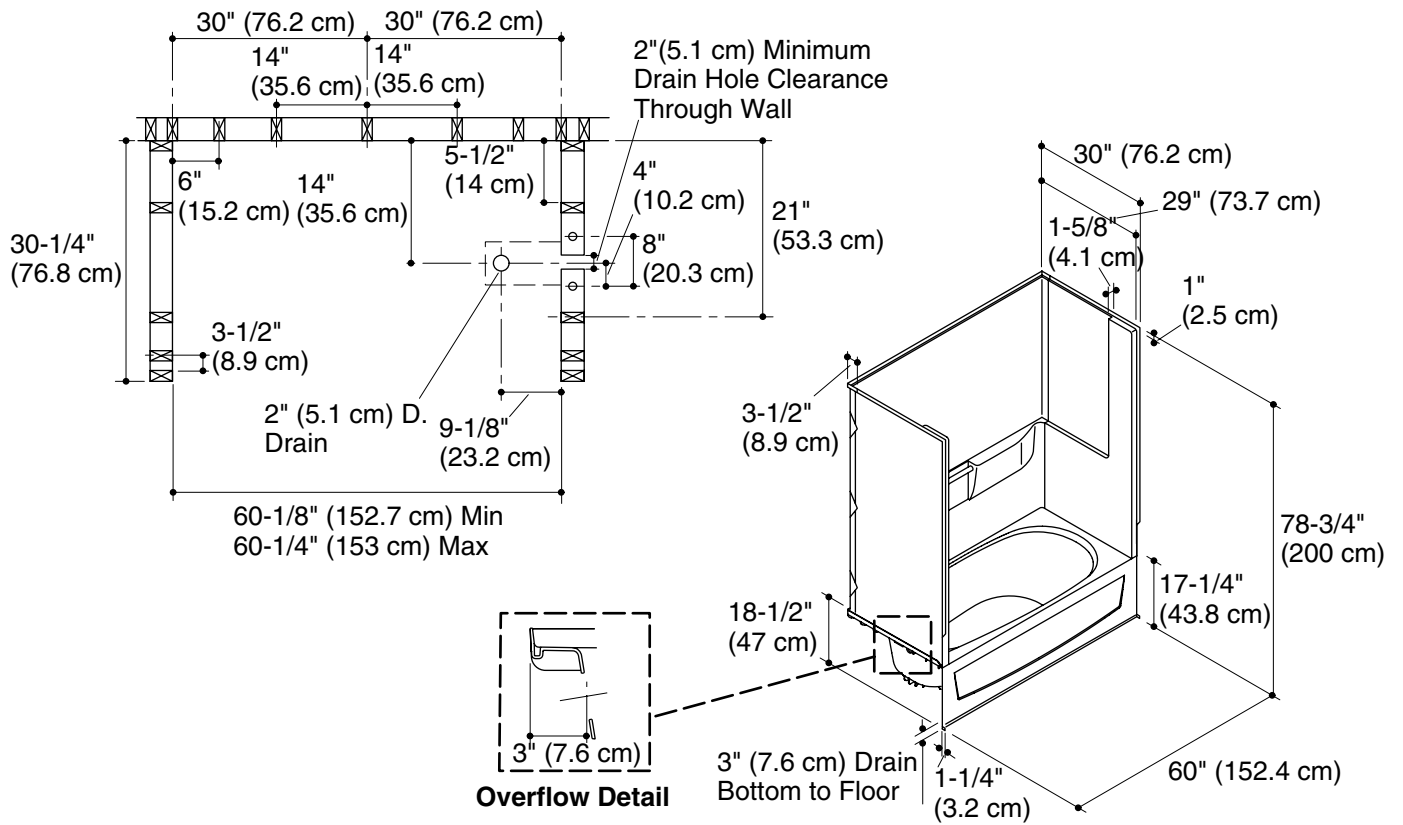
Model	door maximum width	door maximum height
71040112	56-3/4" (144.1 cm)	59-1/2" (151.1 cm)
71040122	56-3/4" (144.1 cm)	59-1/2" (151.1 cm)

## Installation Notes

Install this product according to the installation guide.

Size the drain hole clearance to fit the drain assembly that will be used.

Studs should be positioned roughly as shown.



## Product Diagram