



**Features**

- Modular design allows it to be moved around corners and through doorways with ease.
- Durable swirl gloss finish.
- Wall surround includes stainless steel grab bars.
- Includes folding transfer seat with stainless steel support.
- 1/2" (13 mm) threshold with 1/2" (13 mm) finished floor.
- 63-1/4" (1607 mm) x 39-3/8" (1000 mm) x 72" (1829 mm) complete unit finished dimensions.

**Material**

- Compression molded from our exclusive Vikrell® material.

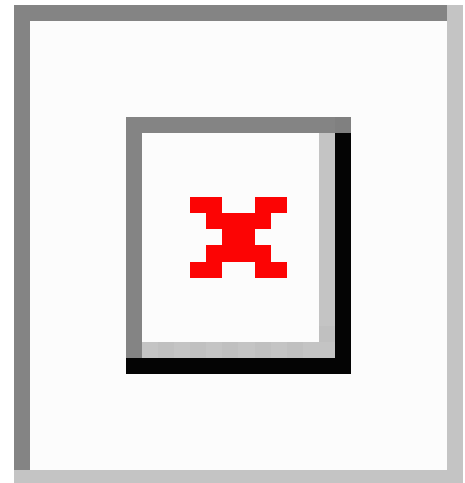
**Installation**

- Tongue-and-groove four piece modular design allows for easy snap together installation.
- Caulk required for proper installation.

**Components**

Product includes:

- 62055115 39" Shower End Wall Set with Seat and Grab Bar
- 62061100 63" Shower Base
- 62062103 63" Shower Back Wall with Grab Bar



**ADA**

**Codes/Standards**

- CSA B45.5/IAPMO Z124
- ASTM E162
- ASTM E662
- Greenguard UL 2818 - Gold
- ADA
- ICC/ANSI A117.1
- HUD, UM Bulletin 73

**STERLING® Warranty - Fixtures Made of Solid Vikrell Material**

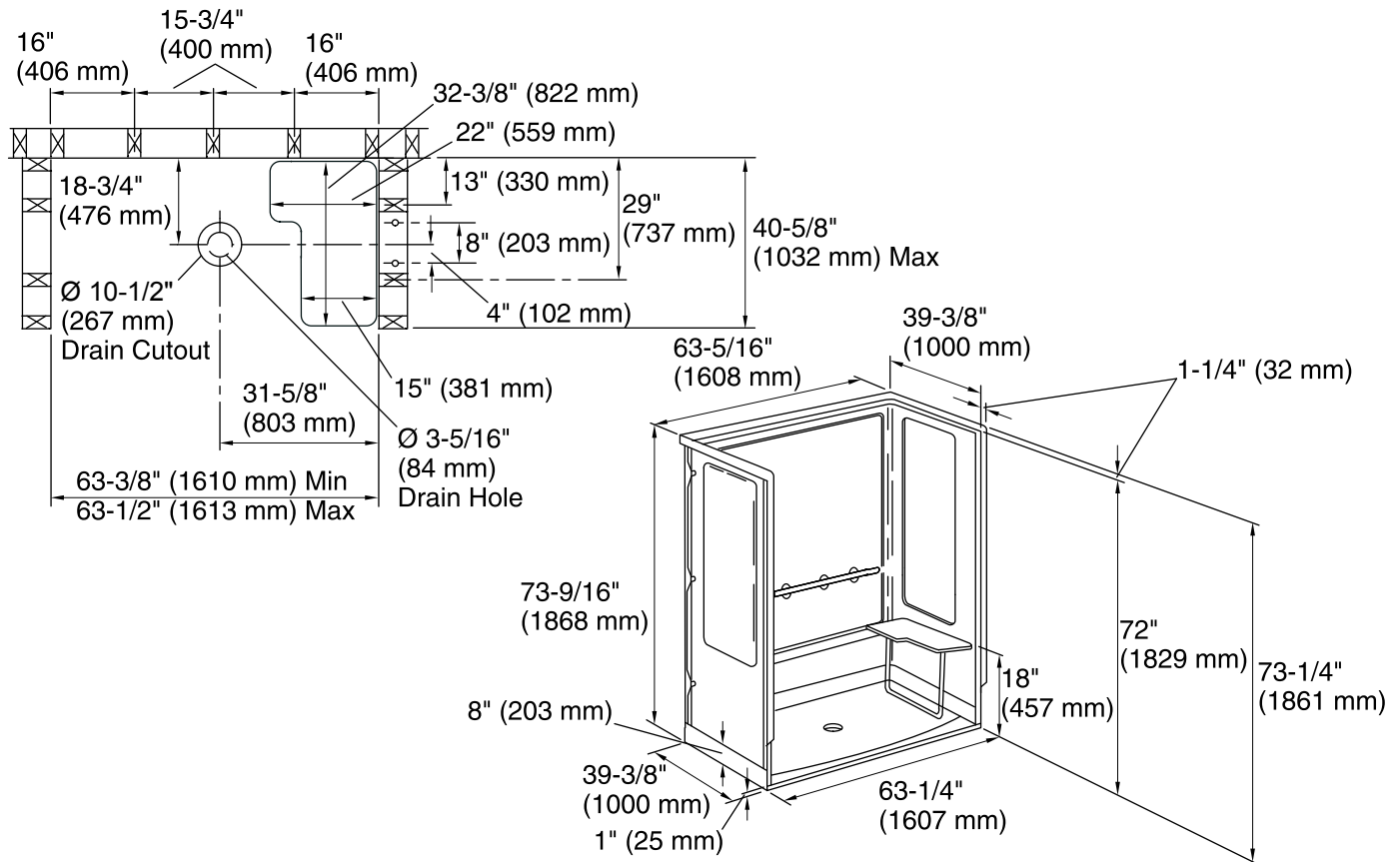
See website for detailed warranty information.

**Available Color/Finishes**

*Color tiles intended for reference only.*

Color	Code	Description
	0	White
	96	Biscuit

**63" ADA Shower**  
63" ADA Shower with Seat and Grab Bars  
**62070115**



**Technical Information**

All product dimensions are nominal.

Installation: 3-Wall Alcove

Drain location: Center

**Notes**

Install this product according to the installation guide.

Drain cutout in subfloor to be 10-1/2" (267 mm) per rough-in illustration as shown to allow the backside of the drain to sit below the subfloor surface.

Studs should be positioned as shown.

Backer boards and fasteners protrude beyond the back wall 1-1/2" (38 mm). If installing this product against wall board, 1-1/2" (38 mm) furring strips installed over the wall board are recommended. The stud pocket depth of 40-5/8" (1032 mm) will need to be increased by the combined thickness of the wall board and furring strips.

ADA compliant when installed to the specific requirements of these regulations.