

Features

- Durable swirl gloss finish.
- 1/2" (13 mm) threshold.
- 39-3/8" (1000 mm) x 39-3/8" (1000 mm) base finished dimensions.

Material

- Compression molded from our exclusive Vikrell® material.

Installation

- Suitable for tile down application or with STERLING wall surround.



ADA

Codes/Standards

CSA B45.5/IAPMO Z124
ASTM E162
ASTM E662
Greenguard UL 2818 - Gold
ADA


STERLING® Warranty - Fixtures Made of Solid Vikrell Material

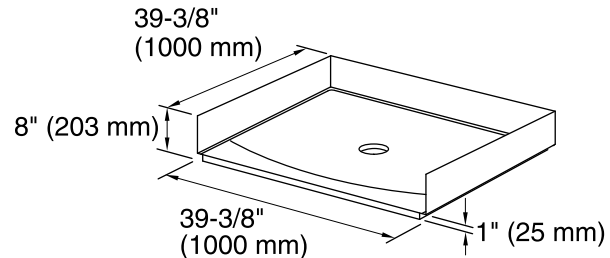
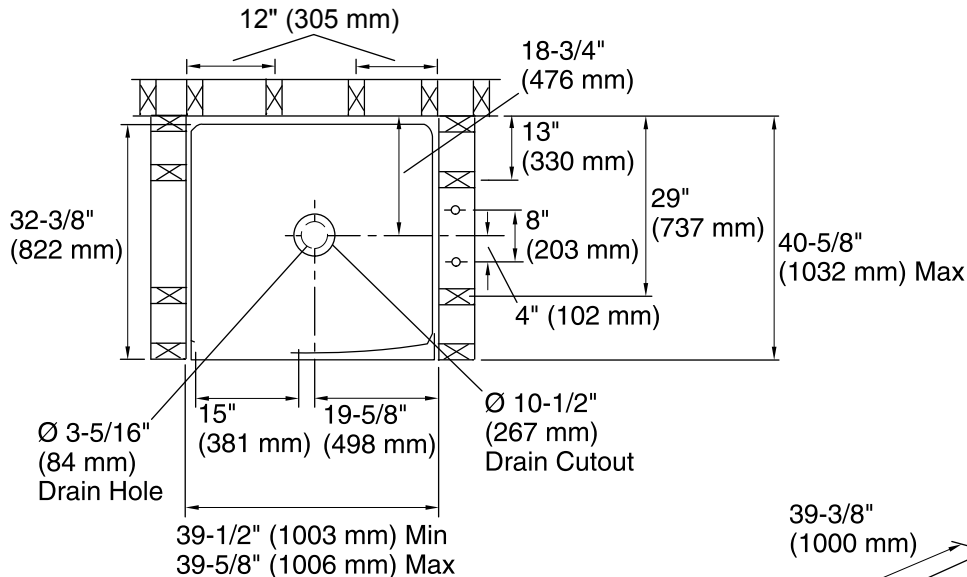
See website for detailed warranty information.

Available Color/Finishes

Color tiles intended for reference only.

Color	Code	Description
-------	------	-------------

- | | | |
|--|----|---------|
|  | 0 | White |
|  | 96 | Biscuit |



Technical Information

All product dimensions are nominal.

Installation: 3-Wall Alcove

Drain location: Center

Notes

Install this product according to the installation guide.

Drain cutout in subfloor to be 10-1/2" (267 mm) per rough-in illustration below to allow the backside of the drain to sit below the subflow surface.

Studs should be positioned roughly as shown.

Backer boards and fasteners protrude beyond the back wall 1-1/2" (38 mm). If installing this product against wall board, 1-1/2" (38 mm) furring strips installed over the wall board are recommended. The stud pocket depth of 40-5/8" (1032 mm) will need to be increased by the combined thickness of the wall board and furring strips.

ADA compliant when installed to the specific requirements of these regulations.