



Features

- Durable swirl gloss finish.
- Modular design allows it to be moved around corners and through doorways with ease.
- Includes shelves and towel bar on back wall.
- 15" (381 mm) bath depth (floor to top of threshold).
- 60" (1524 mm) x 30" (762 mm) x 72" (1829 mm) complete unit finished dimensions.

Material

- Compression molded from our exclusive solid Vikrell® material.

Installation

- Tongue-and-groove four-piece modular design allows for easy snap together installation.
- Caulk required in seams for proper installation.

Components

Product includes:

61031120

61034100 60" Bath/Shower Wall Set



Codes/Standards

CSA B45.5/IAPMO Z124

ASTM E162

ASTM E662

Greenguard UL 2818 - Gold

HUD, UM Bulletin 73

STERLING® Warranty - Fixtures Made of Solid Vikrell Material

See website for detailed warranty information.

Available Color/Finishes

Color tiles intended for reference only.

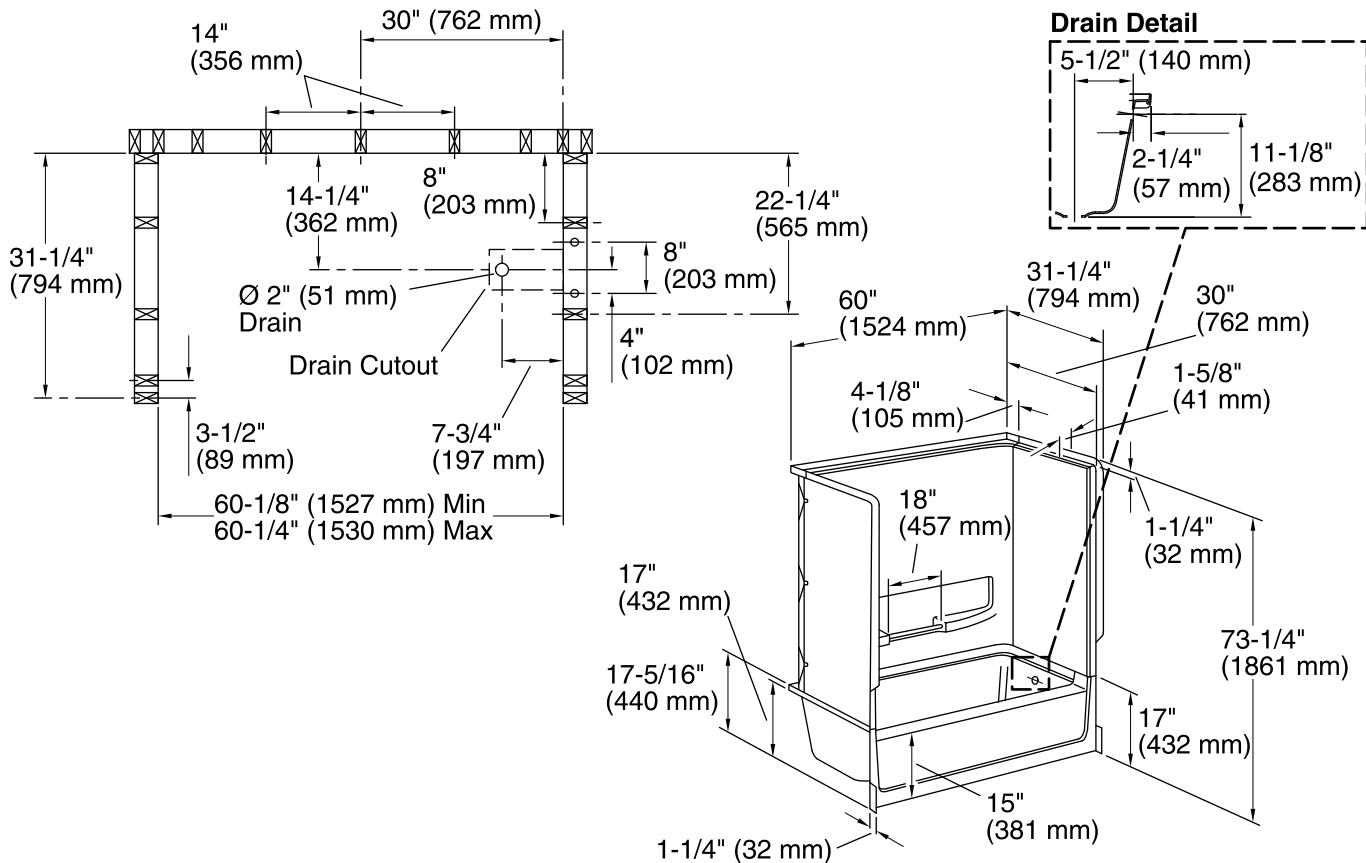
Color	Code	Description
-------	------	-------------



0	White
---	-------



96	Biscuit
----	---------



Technical Information

All product dimensions are nominal.

Installation: 3-Wall Alcove

Drain location: Right

Basin area, bottom: 47" x 19" (1194 mm x 483 mm)

Basin area, top: 55" x 24" (1397 mm x 610 mm)

Water depth: 9-3/8" (238 mm)

Water capacity: 42 gal (159 L)

Door height required: 57" (1448 mm)

Door width required: 56-3/4" (1441 mm)

Notes

Measure your actual product for roughing-in details.

Install this product according to the installation guide.

Double studding is recommended for pivot shower door installations.

Studs should be positioned roughly as shown.