



All Pro®

60" bath with right-hand drain

61041120



Features

- Alcove installation
- 15" apron
- Solid Vikrell material
- Right drain



ADA

Codes/Standards



- CSA B45.5/IAPMO Z124
- ASTM E162
- ASTM E662
- ADA
- ICC/ANSI A117.1
- HUD, UM Bulletin 73

Warranty – Bathing Fixtures (and) Kitchen and Utility Sinks Made of Solid Vikrell® Material

See website for detailed warranty information.

Available Colors/Finishes

Color tiles intended for reference only.

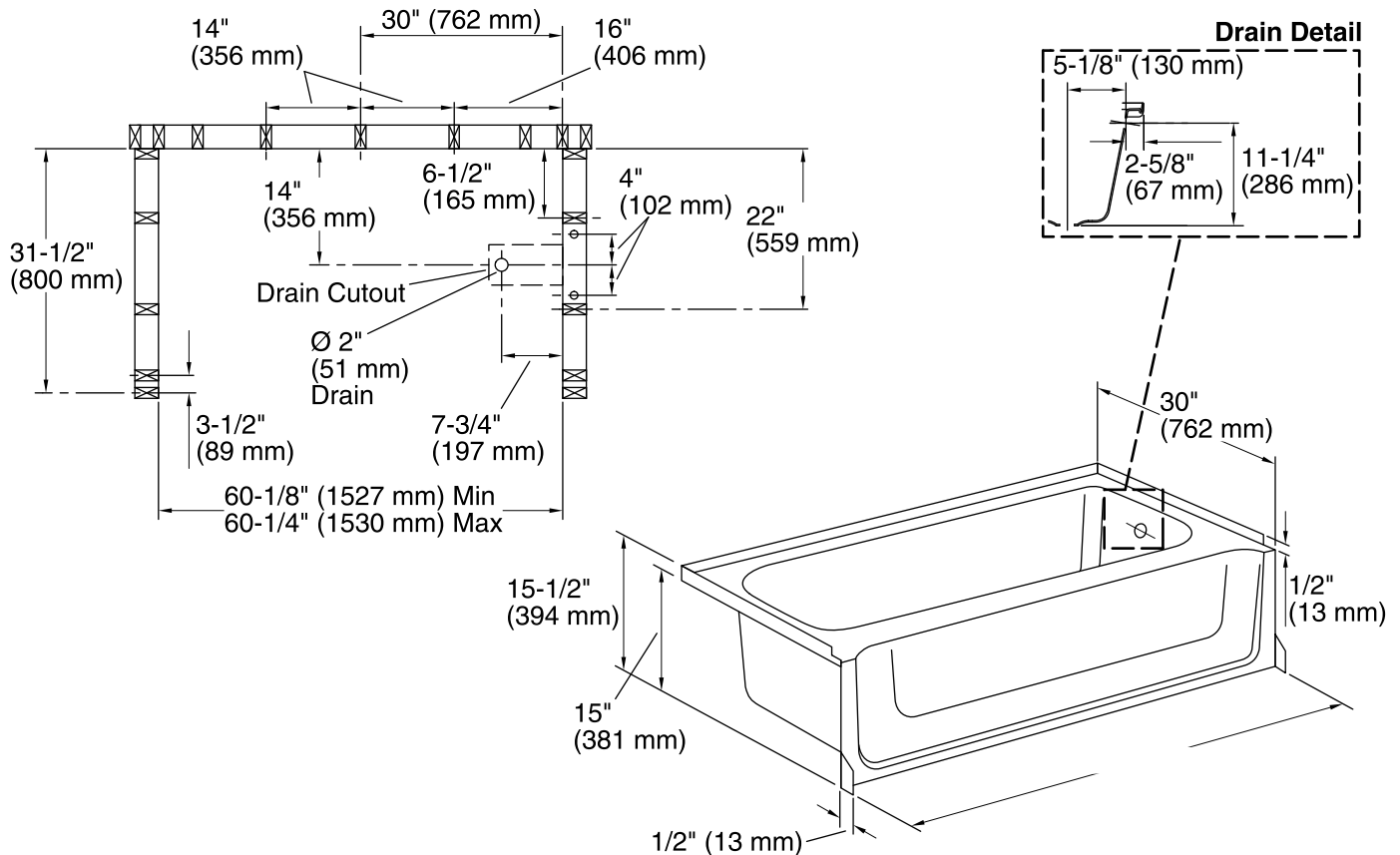
| Color | Code | Description |
|--|------|----------------|
|  | 0 | White |
|  | 96 | KOHLER Biscuit |

1-800-STERLING (1-800-783-7546)

Kohler Co. reserves the right to make revisions without notice to product specifications.

For the most current Specification Sheet, go to www.sterlingplumbing.com.

9-13-2019 05:32 - US



Technical Information

All product dimensions are nominal.

| | |
|------------------------|------------------------------|
| Installation: | Three-wall alcove |
| Drain location: | Right |
| Basin area, bottom: | 48" x 21" (1219 mm x 533 mm) |
| Basin area, top: | 55" x 23" (1397 mm x 584 mm) |
| Weight: | 51.835 lbs (23.5 kg) |
| Water depth: | 9-3/8" (238 mm) |
| Water capacity: | 44 gal (166.6 L) |
| Minimum flat for door: | 2-1/4" (57 mm) |
| Maximum door height: | 57" (1448 mm) |
| Maximum door width: | 57-1/2" (1461 mm) |

Notes

Install this product according to the installation instructions.

Studs should be positioned roughly as shown. Double studding is recommended for pivot shower door installations.

ADA compliant when installed to the specific requirements of these regulations.