



Forum™ Traverse®

60" x 32" Vikrell® bath/shower with Aging in Place backerboards, left drain
71610116



Features

- Tongue-and-groove modular design allows for easy installation during any phase of construction
- Modern subway tile design
- Full-length shelf provides generous storage
- Factory-installed Aging in Place backerboards for future grab bar installation
- Easy-to-clean, durable high-gloss finish
- Innovative Dry-Block™ seal and channeled water containment system form watertight seams

Material

- Compression-molded from our exclusive solid Vikrell® material

Installation

- Pro4™ installation system features a two-piece back wall design, enabling one-person handling and installation
- Alcove
- Left drain
- Caulk-free installation

Included Components

- 71524106 60" x 32" Vikrell® bath/shower wall set with Aging in Place backerboards
- 71611110 60" x 32" Vikrell® alcove bath, left drain



Codes/Standards

- CSA B45.5/IAPMO Z124
- ASTM E162
- ASTM E662

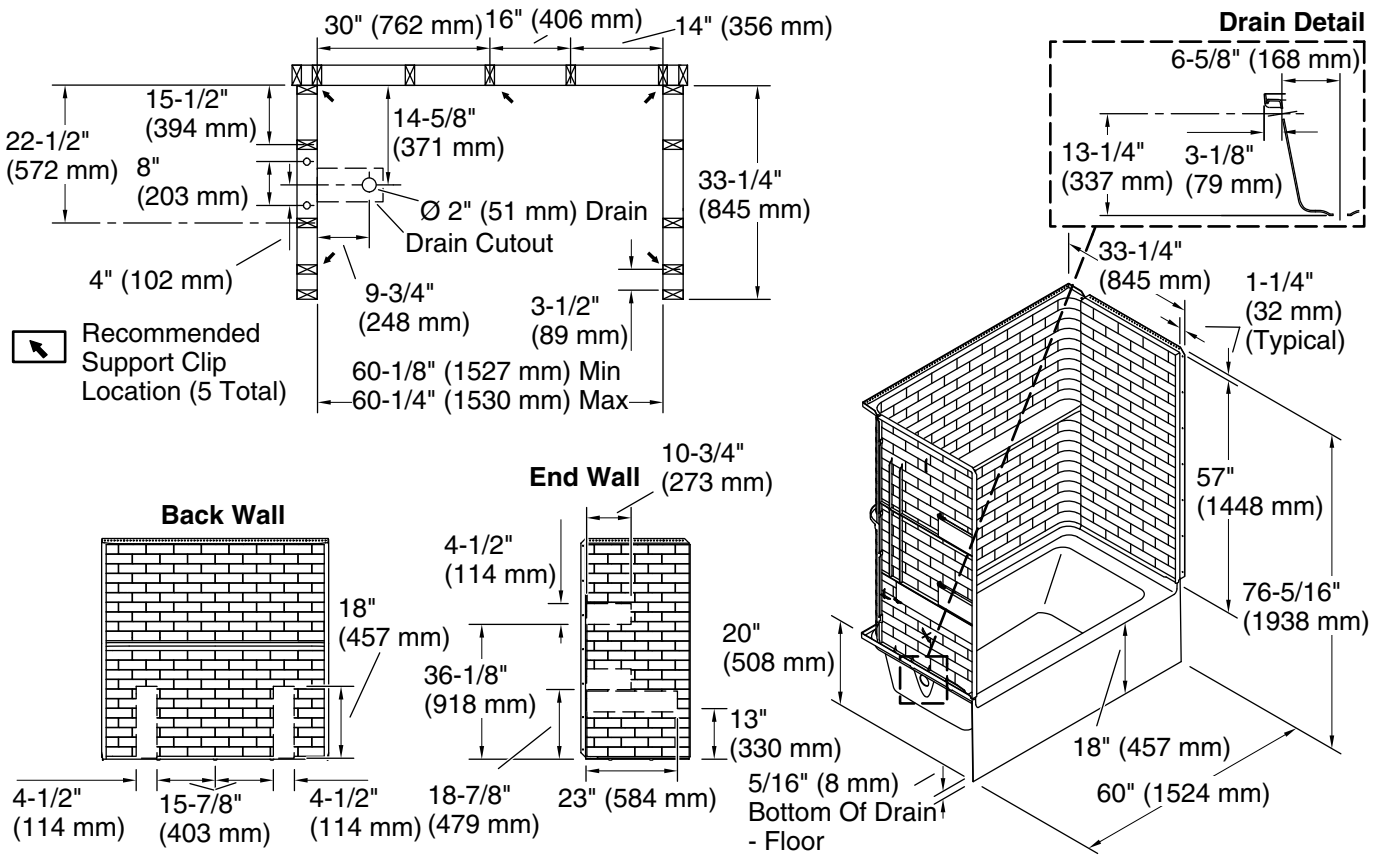
STERLING® Vikrell® or Acrylic Baths and Shower Bases Ten-Year Limited Warranty

See website for detailed warranty information.

Available Colors/Finishes

Color tiles intended for reference only.

Color	Code	Description
	0	White



Technical Information

All product dimensions are nominal.

Drain location:	Left
Weight:	140.5 lbs (63.7 kg)
Water depth:	13-1/4" (337 mm)
Water capacity:	55.8 gal (211.2 L)
Minimum flat for door:	2-3/4" (70 mm)
Maximum door height:	56-3/4" (1441 mm)
Maximum door width:	57-5/8" (1464 mm)

Notes

Install this product according to the installation instructions.