



# Forum™ Traverse®

60" x 32" Vikrell® bath/shower, right drain  
71610120



## Features

- Tongue-and-groove modular design allows for easy installation during any phase of construction
- Modern subway tile design
- Full-length shelf provides generous storage
- Easy-to-clean, durable high-gloss finish
- Innovative Dry-Block™ seal and channeled water containment system form watertight seams

## Material

- Compression-molded from our exclusive solid Vikrell® material

## Installation

- Pro4™ installation system features a two-piece back wall design, enabling one-person handling and installation
- Alcove
- Right drain
- Caulk-free installation

## Included Components

- 71524100 60" x 32" Vikrell® bath/shower wall set
- 71611120 60" x 32" Vikrell® alcove bath, right drain



## Codes/Standards

- CSA B45.5/IAPMO Z124
- ASTM E162
- ASTM E662


## STERLING® Vikrell® or Acrylic Baths and Shower Bases Ten-Year Limited Warranty

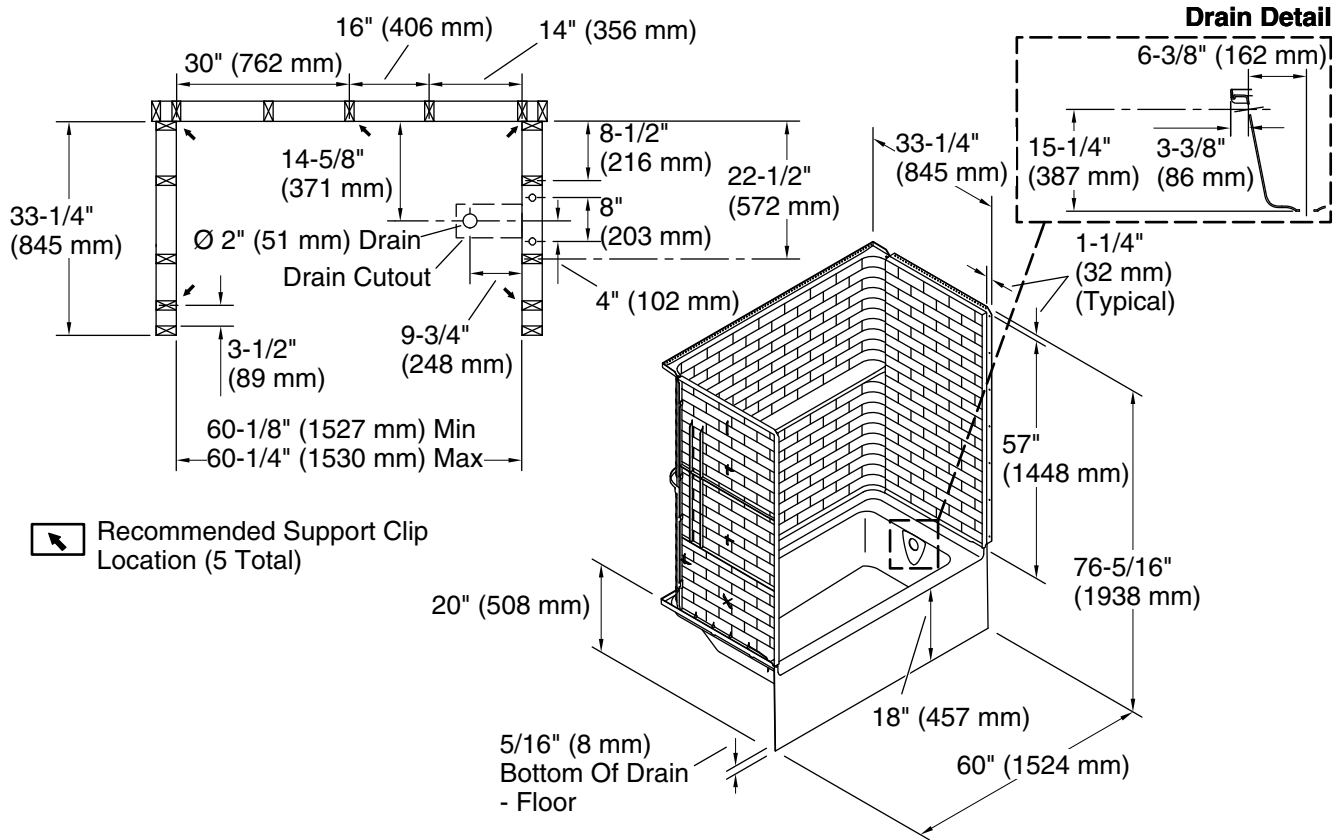
See website for detailed warranty information.

## Available Colors/Finishes

*Color tiles intended for reference only.*

### Color Code Description

|                                                                                     |   |       |
|-------------------------------------------------------------------------------------|---|-------|
|  | 0 | White |
|-------------------------------------------------------------------------------------|---|-------|



**Technical Information**

All product dimensions are nominal.

|                        |                     |
|------------------------|---------------------|
| Drain location:        | Right               |
| Weight:                | 130.5 lbs (59.2 kg) |
| Water depth:           | 13-1/4" (337 mm)    |
| Water capacity:        | 55.8 gal (211.2 L)  |
| Minimum flat for door: | 2-3/4" (70 mm)      |
| Maximum door height:   | 56-3/4" (1441 mm)   |
| Maximum door width:    | 57-5/8" (1464 mm)   |

**Notes**

Install this product according to the installation instructions.