



Valton™

32-1/4" undermount double-bowl kitchen sink

36598

Features

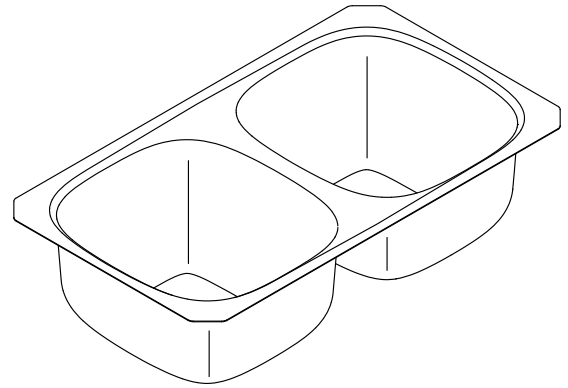
- 36" (914 mm) minimum base cabinet width
- Double-equal bowls
- 9" (229 mm) depth provides generous workspace
- SilentShield® sound-absorption technology offers quieter performance
- 32-3/16" x 18-3/8" x 9" (818 x 467 x 229 mm)
- No faucet holes; requires wall- or counter-mount faucet
- 3-7/8" (98 mm) drain opening
- Sink rack, cutting board, and sink drains with strainers sold separately

Material

- Premium 18-gauge stainless steel

Installation

- Undermount
- Installation hardware and template included

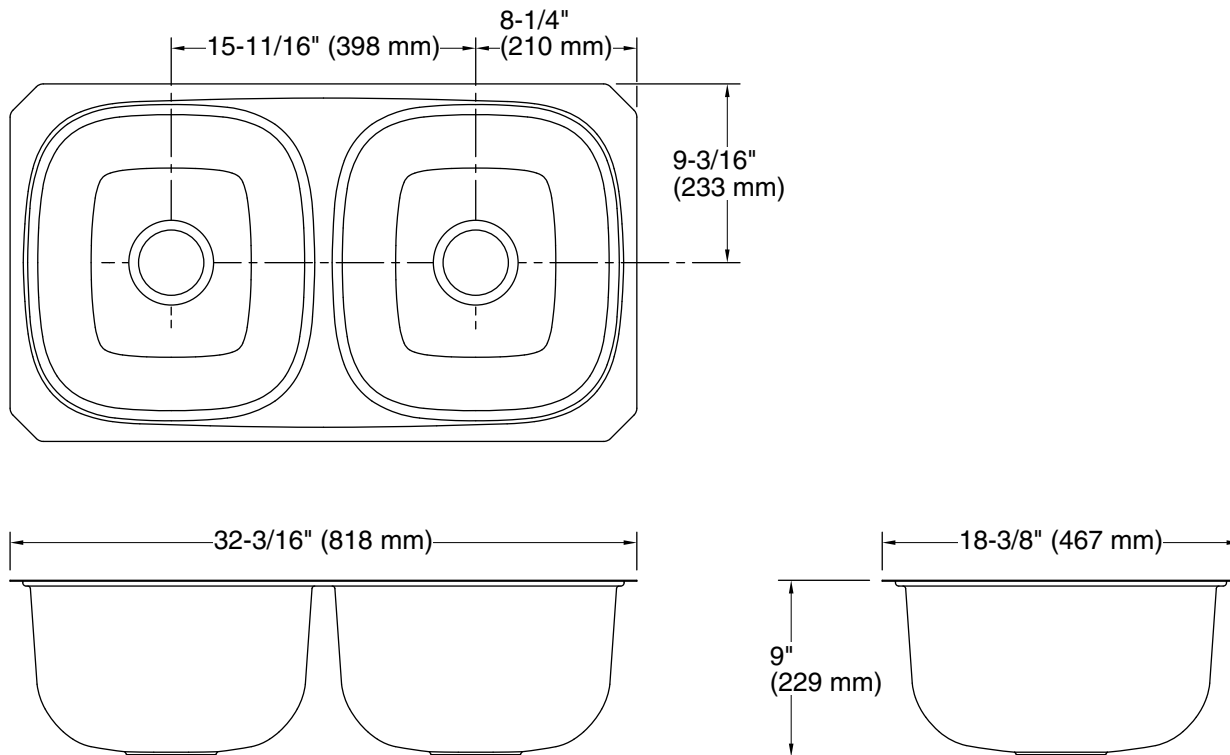


Codes/Standards

ASME A112.19.3/CSA B45.4

STERLING® Stainless Steel Sinks Lifetime Limited Warranty

See website for detailed warranty information.



Technical Information

All product dimensions are nominal.

Basin configuration: Equal Bowls

Min. base cabinet width: 36" (914 mm)

Bowl area (Double Equal Basins): Length: 14-3/8" (365 mm)
Width: 15-7/8" (403 mm)
Water depth: 8-7/8" (226 mm)

Drain hole: 3-7/8" (98 mm)

Template: Undermount, 1619034-7, required, included

Notes

Install this product according to the installation instructions.

NOTICE: Countertop manufacturer or cutter must use the cut-out template provided with the product, or a current one provided by Kohler Co. (call 1-800-4KOHLER). Kohler Co. is not responsible for cutout errors when the incorrect cut-out template is used.