



# Forum™ Traverse® 60" x 30" Vikrell® bath/shower with Aging in Place backerboards, left drain 71600116



### Features

- Tongue-and-groove modular design allows for easy installation during any phase of construction
- Modern subway tile design
- Full-length shelf provides generous storage
- Factory-installed Aging in Place backerboards for future grab bar installation
- Easy-to-clean, durable high-gloss finish
- Innovative Dry-Block™ seal and channeled water containment system form watertight seams

### Material

- Compression-molded from our exclusive solid Vikrell® material

### Installation

- Pro4™ installation system features a two-piece back wall design, enabling one-person handling and installation
- Alcove
- Left drain
- Caulk-free installation

### Included Components

- 71574106 60" x 30" Vikrell® bath/shower wall set with Aging in Place backerboards
- 71601110 60" x 30" Vikrell® alcove bath, left drain



### Codes/Standards

- CSA B45.5/IAPMO Z124
- ASTM E162
- ASTM E662


### STERLING® Vikrell® or Acrylic Baths and Shower Bases Ten-Year Limited Warranty

See website for detailed warranty information.

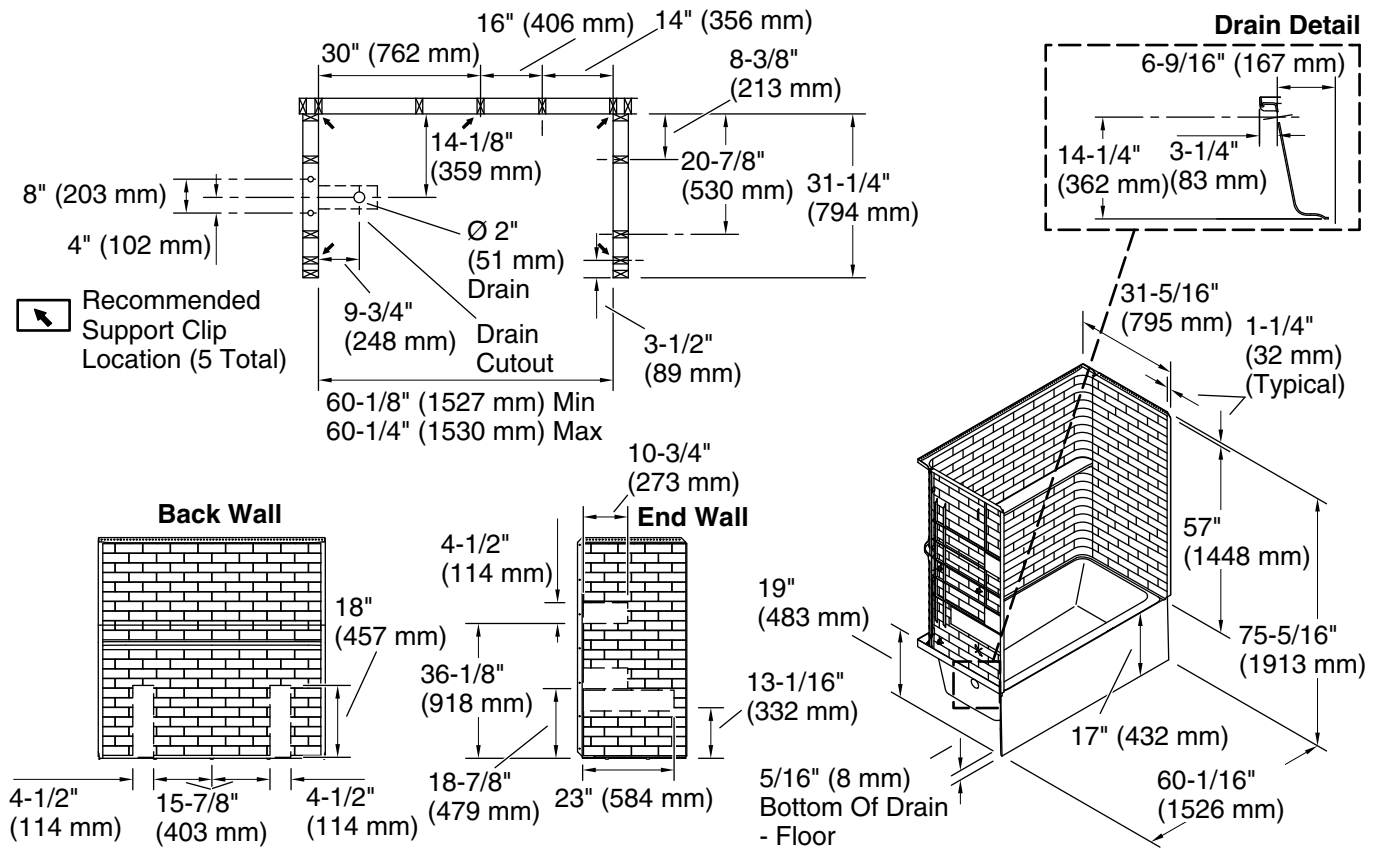
### Available Colors/Finishes

*Color tiles intended for reference only.*

Color	Code	Description
-------	------	-------------

	0	White
---	---	-------

**Forum™ Traverse®**  
60" x 30" Vikrell® bath/shower with Aging in Place  
backerboards, left drain  
**71600116**



**Technical Information**

All product dimensions are nominal.

Drain location:	Left
Weight:	125 lbs (56.7 kg)
Water depth:	12-1/4" (311 mm)
Water capacity:	48.9 gal (185.1 L)
Minimum flat for door:	2-3/4" (70 mm)
Maximum door height:	56-3/4" (1441 mm)
Maximum door width:	57-5/8" (1464 mm)

**Notes**

Install this product according to the installation instructions.