



Forum™ Traverse®

60" x 30" above-floor-drain Vikrell® bath/shower, left drain
71600112



Features

- Tongue-and-groove modular design allows for easy installation during any phase of construction
- Modern subway tile design
- Full-length shelf provides generous storage
- Easy-to-clean, durable high-gloss finish
- Innovative Dry-Block™ seal and channeled water containment system form watertight seams

Material

- Compression-molded from our exclusive solid Vikrell® material

Installation

- Pro4™ installation system features a two-piece back wall design, enabling one-person handling and installation
- Alcove
- Caulk-free installation
- Left drain
- Above-floor-drain (AFD) rough-in

Included Components

- 71574100 60" x 30" Vikrell® bath/shower wall set
- 71601112 60" x 30" above-floor-drain Vikrell® alcove bath, left drain



Codes/Standards

- CSA B45.5/IAPMO Z124
- ASTM E162
- ASTM E662
- HUD, UM Bulletin 73


STERLING® Vikrell® or Acrylic Baths and Shower Bases Ten-Year Limited Warranty

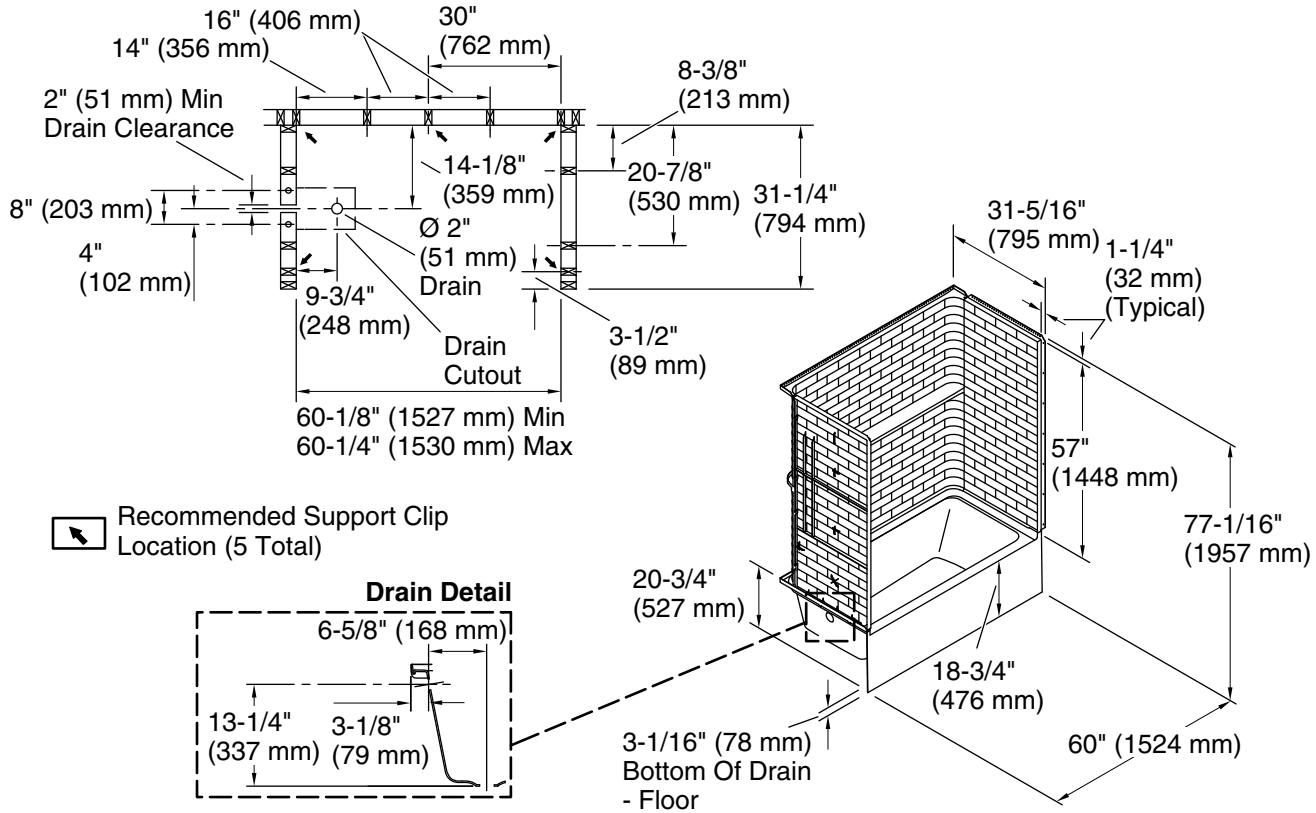
See website for detailed warranty information.

Available Colors/Finishes

Color tiles intended for reference only.

Color	Code	Description
-------	------	-------------

	0	White
---	---	-------



Technical Information

All product dimensions are nominal.

Drain location:	Left
Weight:	127 lbs (57.6 kg)
Water depth:	10-1/2" (267 mm)
Water capacity:	41.9 gal (158.6 L)
Minimum flat for door:	2-3/4" (70 mm)
Maximum door height:	56-3/4" (1441 mm)
Maximum door width:	57-5/8" (1464 mm)

Notes

Install this product according to the installation instructions.