

STERLING®

A KOHLER COMPANY

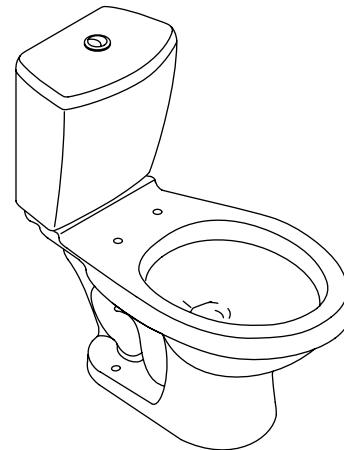
KARSTEN®

LUXURY HEIGHT DUAL FORCE® HIGH EFFICIENCY TOILET 402087



Features

- Vitreous china
- Elongated bowl
- Luxury Height®
- Dual Force® flushing system
- One flush performance
- Standard elongated seat - not supplied
- Seat post holes with 5-1/2" (14 cm) centers
- Two-bolt installation system
- 5-year limited warranty
- 1.6 gallons (6 L) of water per flush for solid waste and .8 gallons (3 L) of water per flush for liquid waste
- 12" (30.5 cm) rough-in
- 2" (5.1 cm) glazed trapway
- 31" (78.7 cm) x 14-1/4" (36.2 cm) x 31-1/4" (74.9 cm)



Codes/Standards Applicable

Specified model meets or exceeds the following:

- ASME A112.19.2/CSA B45.1
- ASME A112.19.14
- EPA WaterSense®

Colors/Finishes

- 0: White
- Other: Refer to Price Book for additional colors/finishes

Specified Model

Model	Description	Included tank	Included bowl	Colors/Finishes	
402087	Luxury Height Dual Force High Efficiency Toilet	402023	402086	<input type="checkbox"/> 0	<input type="checkbox"/> Other _____

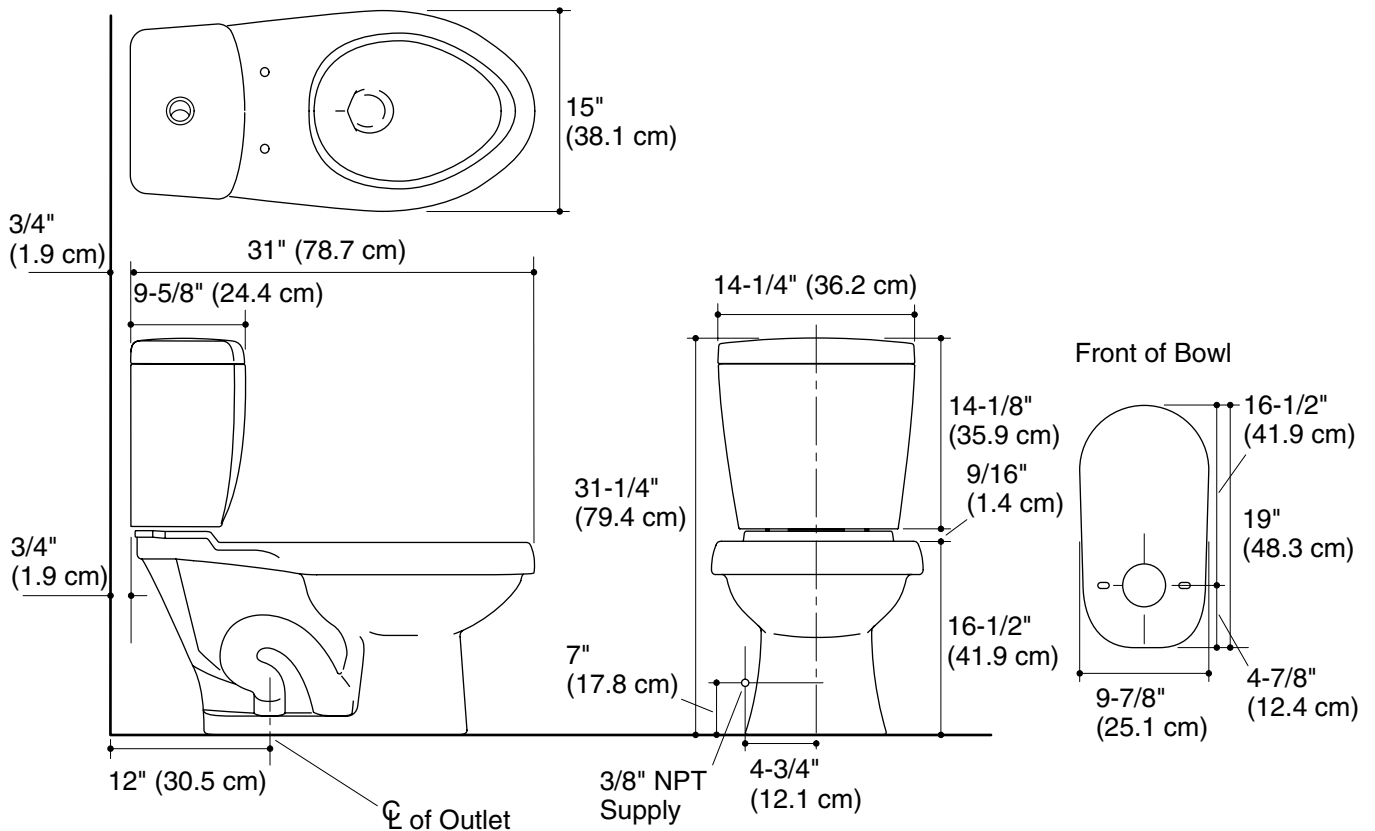
Technical Information

Fixture:	
Configuration	two-piece, elongated
Water per full flush	1.6 gal (6 L)
Water per half flush	0.8 gal (3 L)
Passageway	2" (5.1 cm)
Water area	4-1/2" (11.4 cm) x 5-3/4" (14.6 cm)
Seat post hole centers	5-1/2" (14 cm)

Included components:	
Bowl	402086
Tank	402023
Tank cover	1040340
Tank accessory pack	1035430

Installation Notes

One flush cleansing of the bowl per ASME A112.19.2/CSA B45.1 and Dual Flush toilets per ASME A112.19.14-2006 performance requirements, when installed and operated per instructions packed with the product.



Product Diagram