



Traverse®

60" x 30" x 76-1/4" shower
72570120



Features

- Tongue-and-groove modular design allows for easy installation during any phase of construction.
- Modern subway tile design.
- Full-length shelf provides generous storage.
- Easy-to-clean, durable high-gloss finish.

Material

- Compression molded from our exclusive solid Vikrell® material.

Installation

- Pro4™ installation system features a two-piece back wall design, enabling one-person handling and installation.
- Alcove.
- Right drain.
- Caulk-free installation.

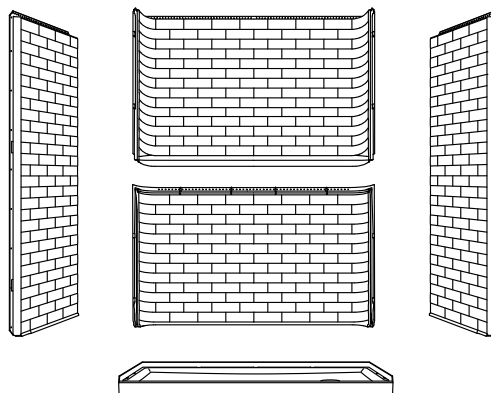
Recommended Products/Accessories

- K-23733 Vikrell® cleaner
- 581075-59 Frameless sliding shower door
- 547808-59 Frameless sliding shower door
- 5475-59 Frameless sliding shower door
- 5477-59 Frameless sliding shower door
- 5970-59 Framed sliding shower door
- 5976-59 Framed sliding shower door
- 5977-59 Framed sliding shower door
- 5960-59 Framed sliding shower door
- 5960-57 Framed sliding shower door

Included Components

Additional Components:

- 72171120
- 72505100
- 72532100

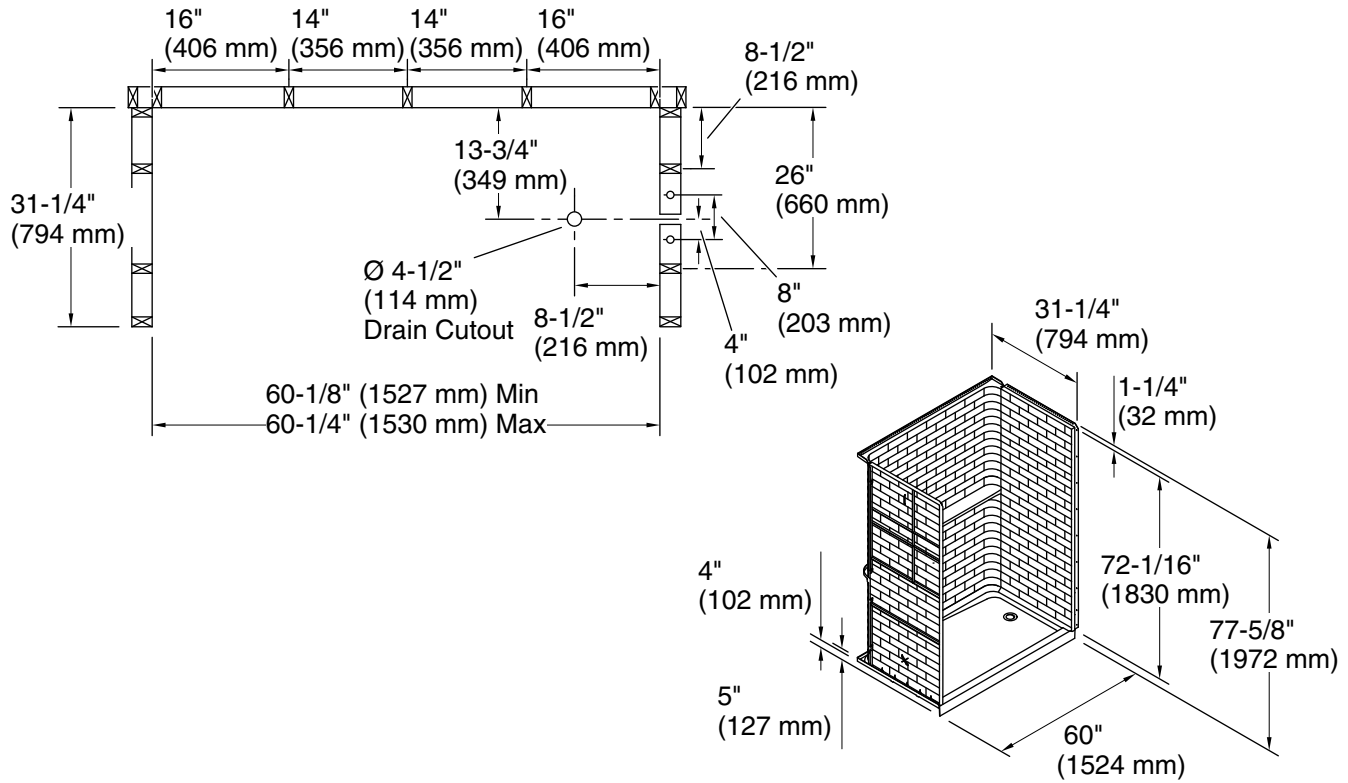


Codes/Standards

- CSA B45.5/IAPMO Z124
- ASTM E162
- ASTM E662
- HUD, UM Bulletin 73

STERLING® Vikrell® or Acrylic Baths and Shower Bases Ten-Year Limited Warranty

See website for detailed warranty information.



Technical Information

All product dimensions are nominal.

- Installation: Three-wall alcove
- Drain location: Right
- Weight: 128 lbs (58.1 kg)
- Maximum door height: 72" (1829 mm)
- Maximum door width: 56-9/16" (1437 mm)

Notes

Install this product according to the installation instructions.