



# Traverse®

60" x 34" x 75" shower  
72530100



## Features

- Tongue-and-groove modular design allows for easy installation during any phase of construction.
- Modern subway tile design.
- Full-length shelf provides generous storage.
- Easy-to-clean, durable high-gloss finish.

## Material

- Compression molded from our exclusive solid Vikrell® material.

## Installation

- Pro4™ installation system features a two-piece back wall design, enabling one-person handling and installation.
- Alcove.
- Center drain.
- Caulk-free installation.

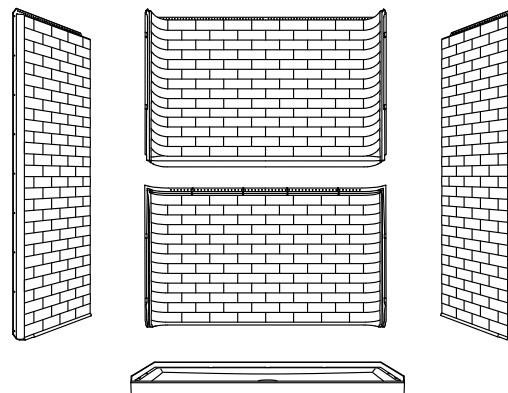
## Recommended Products/Accessories

- 80001012 12" straight grab bar
- 80001018 18" straight grab bar
- 80001024 24" straight grab bar
- K-23733 Vikrell® cleaner
- 581075-59 Frameless sliding shower door
- 547808-59 Frameless sliding shower door
- 5475-59 Frameless sliding shower door
- 5477-59 Frameless sliding shower door
- 5970-59 Framed sliding shower door
- 5976-59 Framed sliding shower door
- 5977-59 Framed sliding shower door
- 5960-57 Framed sliding shower door
- 5960-59 Framed sliding shower door

## Included Components

Additional Components:

- 72331100
- 72505100
- 72532100

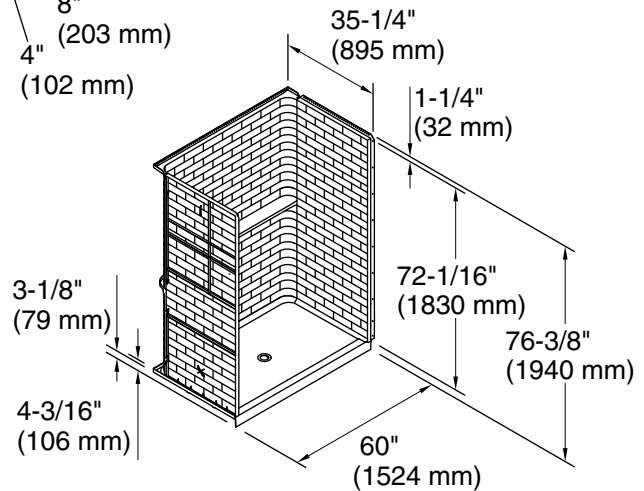
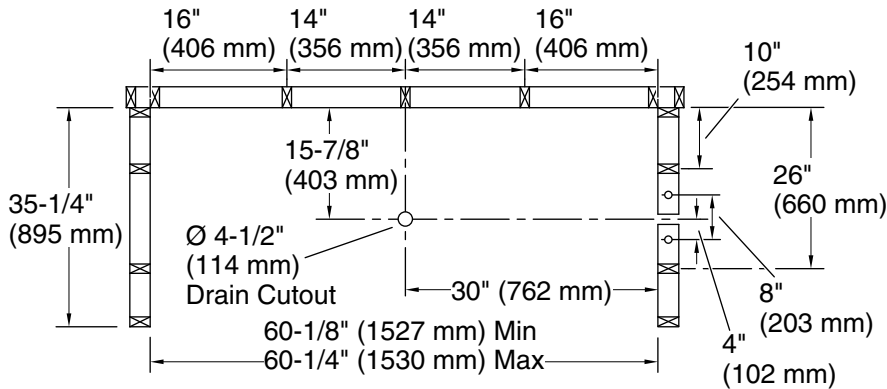


## Codes/Standards

- CSA B45.5/IAPMO Z124
- ASTM E162
- ASTM E662
- HUD, UM Bulletin 73

## STERLING® Vikrell® or Acrylic Baths and Shower Bases Ten-Year Limited Warranty

See website for detailed warranty information.



### Technical Information

All product dimensions are nominal.

Installation:	Three-wall alcove
Drain location:	Center
Weight:	129 lbs (58.5 kg)
Maximum door height:	72" (1829 mm)
Maximum door width:	56-9/16" (1437 mm)

### Notes

Install this product according to the installation instructions.