



Finesse™

Frameless sliding shower door

5475-48

Technology

- Frameless.
- 1/4" glass.
- CleanCoat® nanotechnology helps prevent bacteria, mildew and water stains on your glass, making it easy to clean and looking new.
- Quick Install system.
- Interior and exterior towel bars.
- Out-of-plumb adjustability.
- Tempered glass ensures maximum safety and durability.
- Anodized aluminum prevents rusting and corrosion.

Installation

- Not for use in hospitality.
- For residential use only.

Included Components

Additional Components:
Hardware kit



Codes/Standards

ANSI Z97.1
CPSC 16CFR 1201

STERLING® Warranty - Bath and Shower Doors

See website for detailed warranty information.

Available Colors/Finishes

Color tiles intended for reference only.

Color	Code	Description
-------	------	-------------

DR

N

PBL

S

Available Glass Options

Code	Description
------	-------------

Boxwood™

Cirkette™

Clear

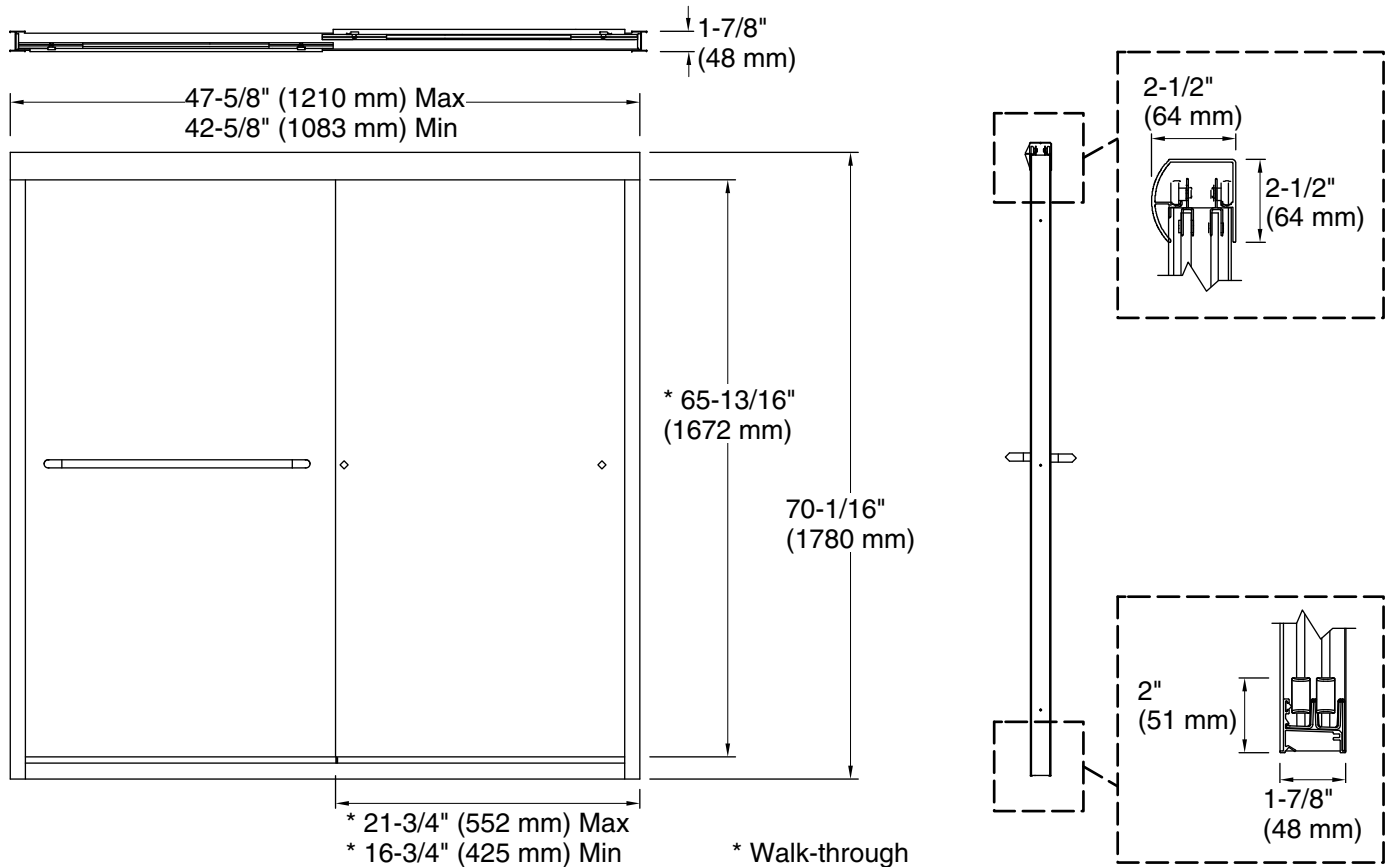
Frosted

Grafite™

Lake Mist™

Oak Park™

Starscape™



Technical Information

All product dimensions are nominal.

Installation type: For shower base installation

Opening Width - Min: 42-5/8" (1083 mm)

Opening Width - Max: 47-5/8" (1210 mm)

Walk-through - Min: 16-3/4" (425 mm)

Walk-through - Max: 21-3/4" (552 mm)

Glass thickness: 1/4" (6 mm)

Glass coating: CleanCoat®

Notes

Install this product according to the installation guide.

The vertical opening should be a minimum of 72-1/16" (1830 mm) to allow for installation clearance.