



Ludington™

Under-mount Kitchen Sink

20025-PC

Features

- Double offset (2) bowls - Large/Medium.
- Fabricated sink.
- 9" basin depth.
- SilentShield® sound-absorption technology offers quieter performance.
- Satin finish.
- 36-inch minimum base cabinet width.
- 32" x 18.25" x 9"

Material

- 18-gauge stainless steel.

Installation

- Under-mount

Components

Product includes:

- 20287 Sink Basin Mat
- 20288 Sink Basin Mat
- 7400 Duostrainer™ Sink Strainer
- 7400 Duostrainer™ Sink Strainer

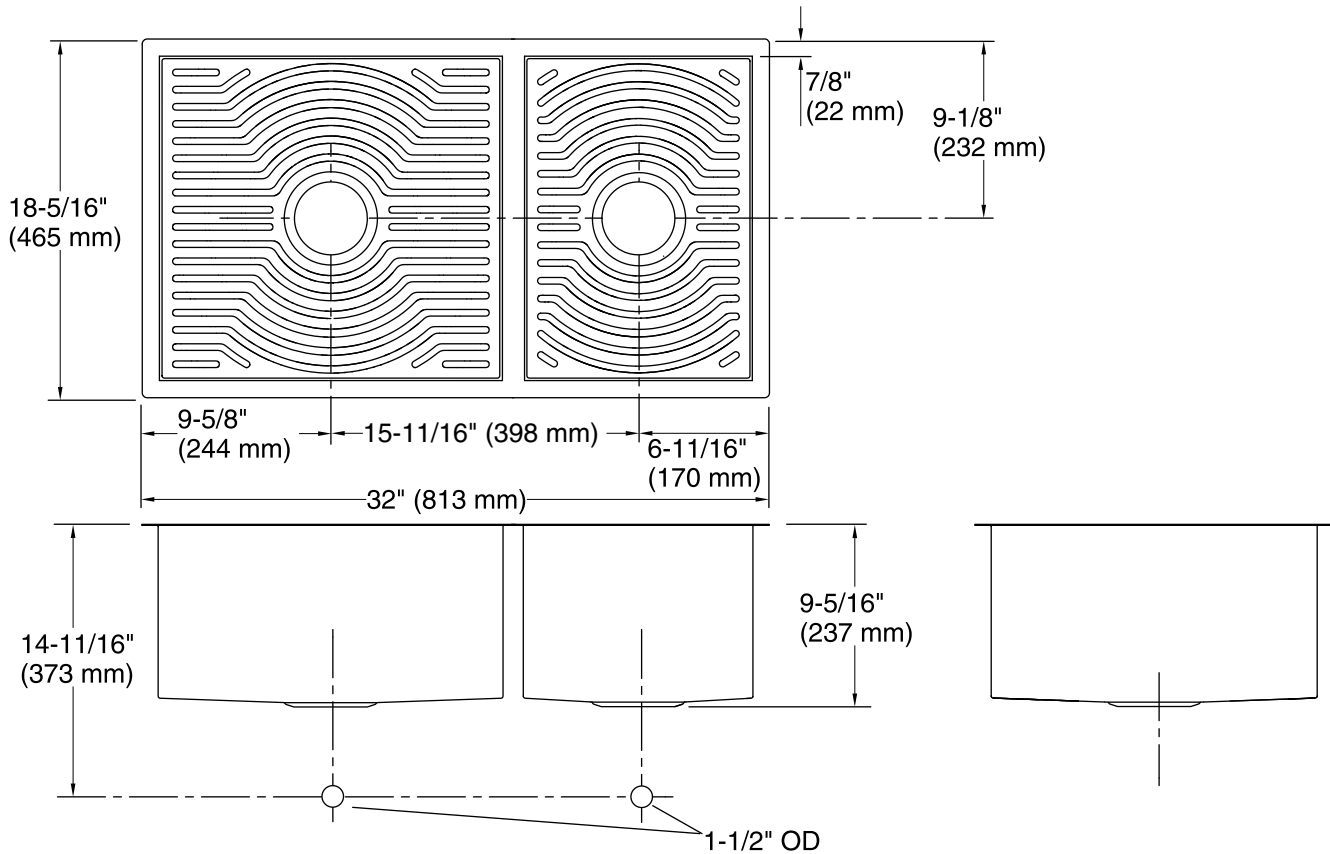


Codes/Standards

ASME A112.19.3/CSA B45.4

STERLING® Warranty - Stainless Steel Sinks

See website for detailed warranty information.



Technical Information

All product dimensions are nominal.

Installation:	Under-mount
Bowl area (Left)	Length: 17-1/2" (445 mm) Width: 16-9/16" (420 mm) Bowl depth: 9-1/16" (230 mm) Water depth: 9-1/16" (230 mm)
Bowl area (Right)	Length: 11-5/8" (295 mm) Width: 16-9/16" (420 mm) Bowl depth: 9" (229 mm) Water depth: 9" (229 mm)
Drain hole:	3-3/4" (94 mm)
Template:	1298947-7, required, included

Notes

Install this product according to the installation instructions.

Countertop manufacturer or cutter must use the cut-out template provided with the product, or a current one provided by Kohler Co. (call 1-800-43-FOCUS). Kohler Co. is not responsible for cut-out errors when the incorrect cut-out template is used.