



# Ludington™

## Under-mount Kitchen Sink

### 20024-PC

#### Features

- Double-equal (2) bowls.
- Fabricated sink.
- 9" basin depth.
- SilentShield® sound-absorption technology offers quieter performance.
- Satin finish.
- 36-inch minimum base cabinet width.
- 32" x 18.25" x 9"

#### Material

- 18-gauge stainless steel.

#### Installation

- Under-mount

#### Components

Product includes:

20286 Sink Basin Mat

20286 Sink Basin Mat

7400 Duostrainer™ Sink Strainer

7400 Duostrainer™ Sink Strainer

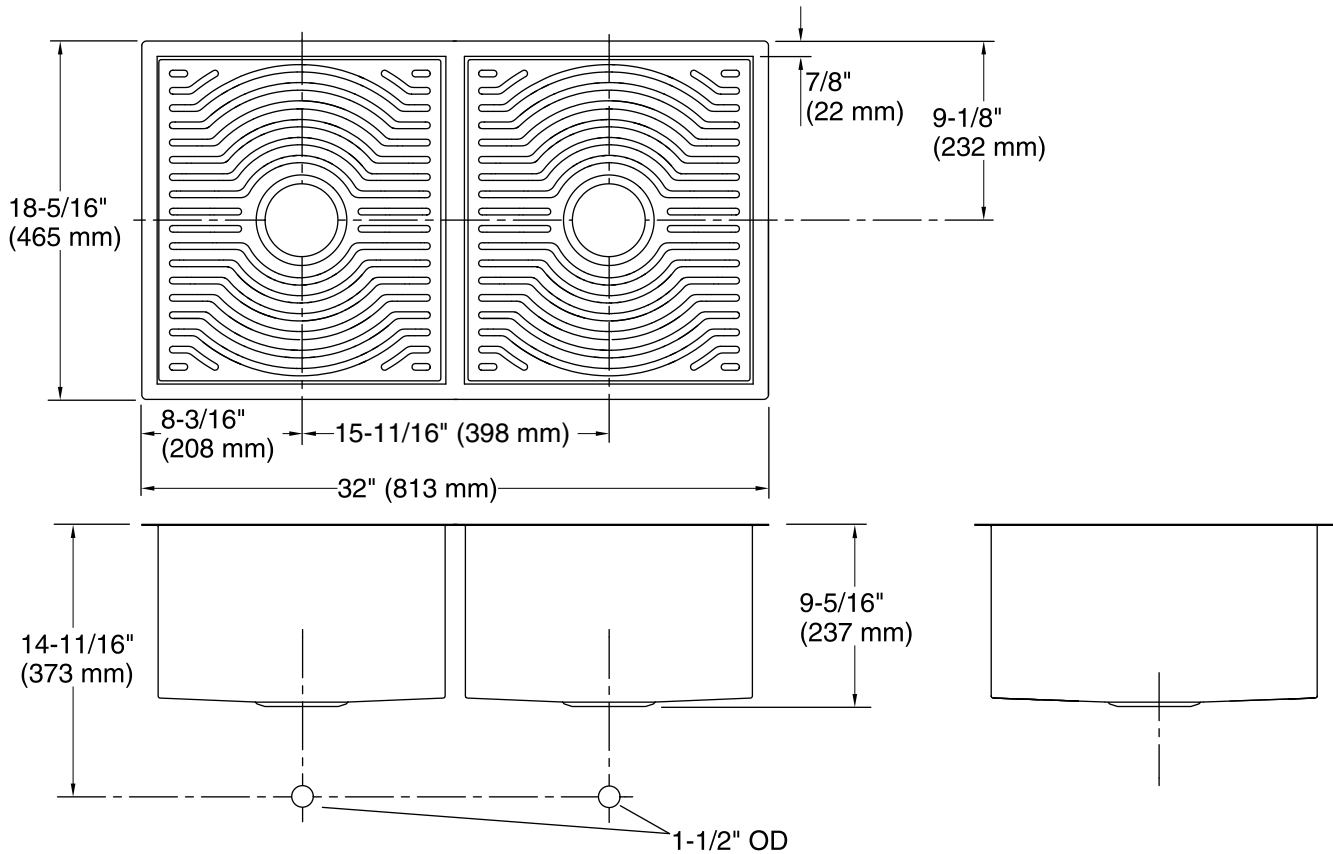


#### Codes/Standards

ASME A112.19.3/CSA B45.4

#### STERLING® Warranty - Stainless Steel Sinks

See website for detailed warranty information.



### Technical Information

All product dimensions are nominal.

Installation:	Under-mount
Bowl area (Left)	Length: 14-9/16" (370 mm) Width: 16-9/16" (420 mm) Bowl depth: 9" (229 mm) Water depth: 9" (229 mm)
Bowl area (Right)	Length: 14-9/16" (370 mm) Width: 16-9/16" (420 mm) Bowl depth: 9" (229 mm) Water depth: 9" (229 mm)
Drain hole:	3-3/4" (94 mm)
Template:	1298947-7, required, included

### Notes

Install this product according to the installation instructions.

Countertop manufacturer or cutter must use the cut-out template provided with the product, or a current one provided by Kohler Co. (call 1-800-43-FOCUS). Kohler Co. is not responsible for cut-out errors when the incorrect cut-out template is used.