



McAllister®
Under-mount Kitchen Sink
50200

Features

- D-shape
- Single bowl.
- 9-1/2-inch depth provides generous workspace.
- No faucet holes.
- SilentShield® sound-absorption technology offers quieter performance.
- Rear drain maximizes flat basin surface and storage space under the counter.

Material

- 18-gauge stainless steel.

Installation

- Under-mount

Components

Additional included component/s: Installation hardware.

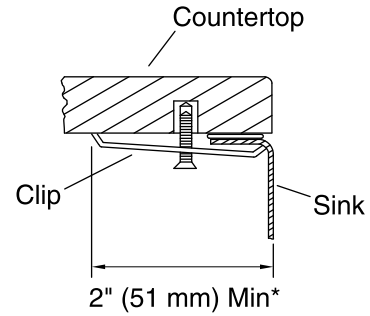
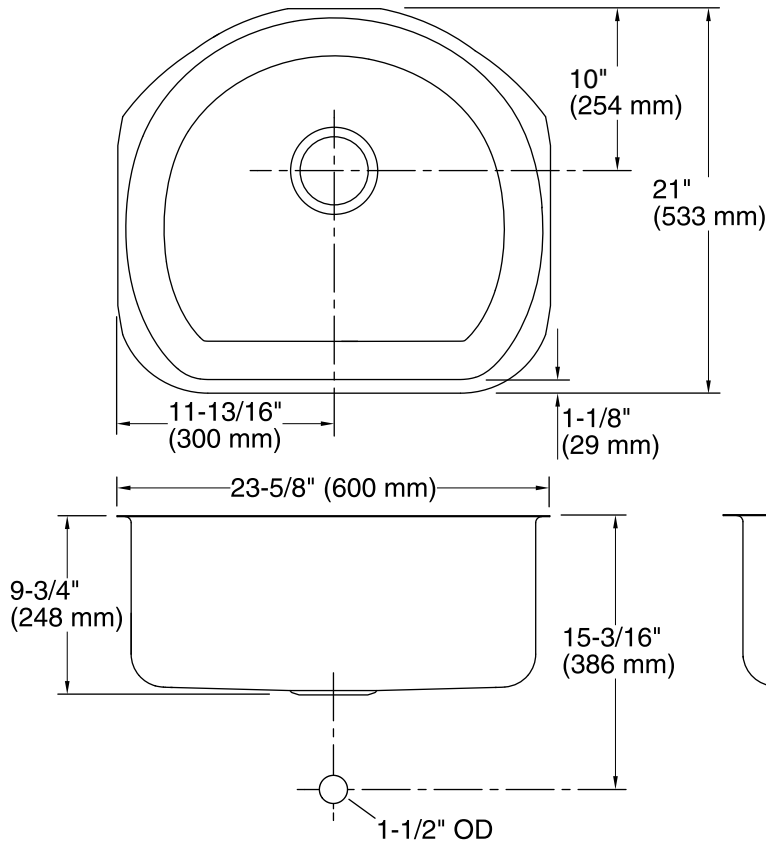


Codes/Standards

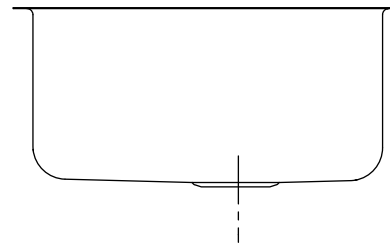
ASME A112.19.3/CSA B45.4

**Lifetime Limited Warranty for
KOHLER® Stainless Steel Sinks**

See website for detailed warranty information.



* Allow clearance around sink rim for clip attachment.



Technical Information

All product dimensions are nominal.

Bowl area (Only)	Length: 22" (559 mm)
	Width: 19" (483 mm)
	Bowl depth: 9-1/2" (241 mm)
	Water depth: 9-1/2" (241 mm)
Drain hole:	3-3/4" (94 mm)
Template:	1276730-7, required, included

Notes

Install this product according to the installation instructions.