

Features

- Under-mount
- No faucet holes to accommodate either wall-mount or countertop faucets
- 9"-deep double bowls
- 3-3/4" drain opening
- Stainless steel with luster finish
- SilentShield technology
- 18-gauge stainless steel
- Lifetime limited warranty

Recommended Products/Accessories

- 11862 Sink Rack
- 11863 Sink Rack
- 7400 Sink Strainer
- K-6139 Sponge Caddy

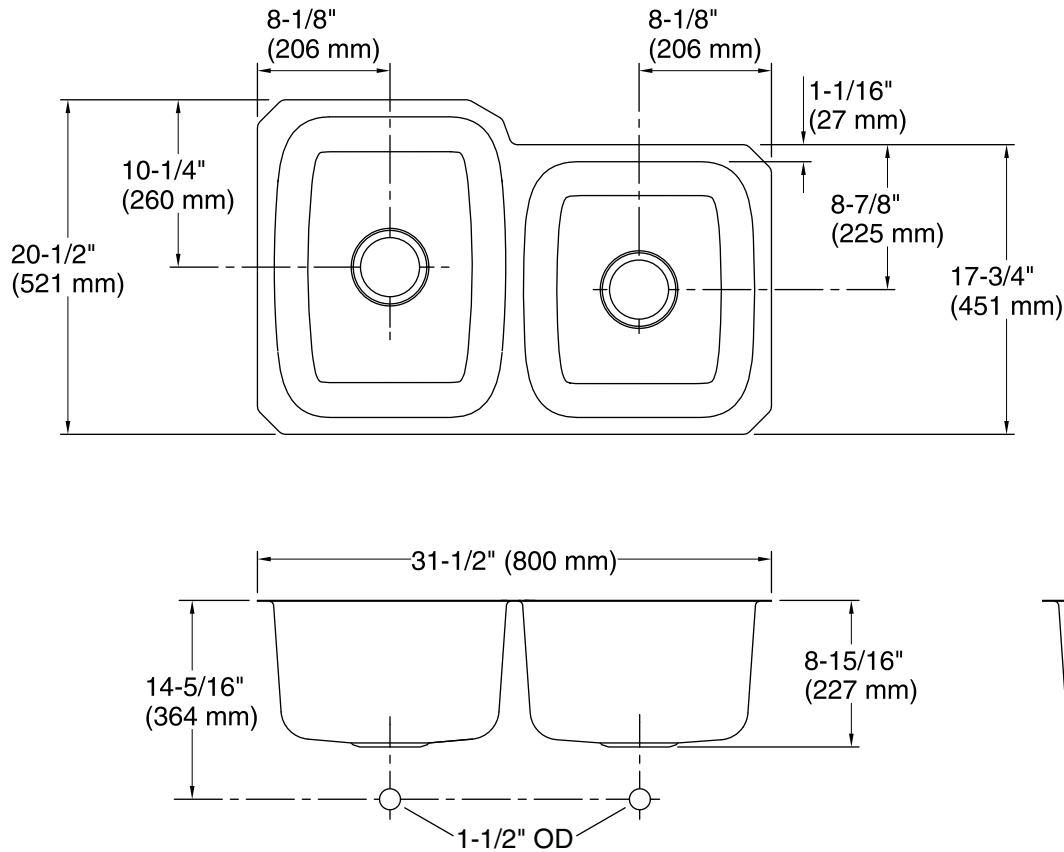


Codes/Standards

ASME A112.19.3/CSA B45.4

STERLING® Warranty - Stainless Steel Sinks

See website for detailed warranty information.



Technical Information

All product dimensions are nominal.

Installation:	Under-mount
Bowl area (Left):	Length: 14-3/16" (360 mm) Width: 18-7/16" (468 mm) Bowl depth: 8-11/16" (221 mm) Water depth: 8-11/16" (221 mm)
Bowl area (Right):	Length: 14-3/16" (360 mm) Width: 15-11/16" (398 mm) Bowl depth: 8-11/16" (221 mm) Water depth: 8-11/16" (221 mm)
Drain hole:	3-5/8" (92 mm)
Template:	1315847-7, required, included

Notes

Install this product according to the installation instructions.

Countertop manufacturer or cutter must use the cut-out template provided with the product, or a current one provided by Kohler Co. (call 1-800-43-FOCUS). Kohler Co. is not responsible for cut-out errors when the incorrect cut-out template is used.