



GUARD+™ 48" Shower Base 72321100



Features

- Four-sided water containment with full-length threshold guard and weep channels for added protection.
- Low 3-inch profile for easy entry and exit.
- Durable high gloss finish.
- 48" (1220 mm) x 34" (864 mm) x 3-1/8" (79 mm) base finished dimensions.

Material

- Compression molded from our exclusive Vikrell® material.

Installation

- Suitable for tile down application or with STERLING STORE+™ wall surround.



Recommended Accessories

- 695B-48 Framed Sliding Shower Door
- 1500D-48 Framed Pivot Shower Door
- 1505D-48 Framed Pivot Shower Door
- 1506D-48 Framed Pivot Shower Door
- 1530D-48 Framed Pivot Shower Door
- 1535D-48 Framed Pivot Shower Door
- 5375EZ-45 Frameless Sliding Shower Door
- 5475-48 Frameless Sliding Shower Door
- 5477-48 Frameless Sliding Shower Door
- 5970-48 Framed Sliding Shower Door
- 5975-48 Framed Sliding Shower Door
- 5976-48 Framed Sliding Shower Door
- 5977-48 Framed Sliding Shower Door
- 547808-48 Frameless Sliding Shower Door
- 572075-48 Framed Sliding Shower Door
- 581075-48 Frameless Sliding Shower Door
- 80001012 12" Grab Bar
- 80001018 18" Grab Bar
- 80001024 24" Grab Bar
- 72186104 Sterling® Freestanding Seat

Codes/Standards



CSA B45.5/IAPMO Z124
Greenguard UL 2818 - Gold
HUD, UM Bulletin 73

STERLING® Warranty - Fixtures Made of Solid Vikrell Material

See website for detailed warranty information.

Available Color/Finishes

Color tiles intended for reference only.

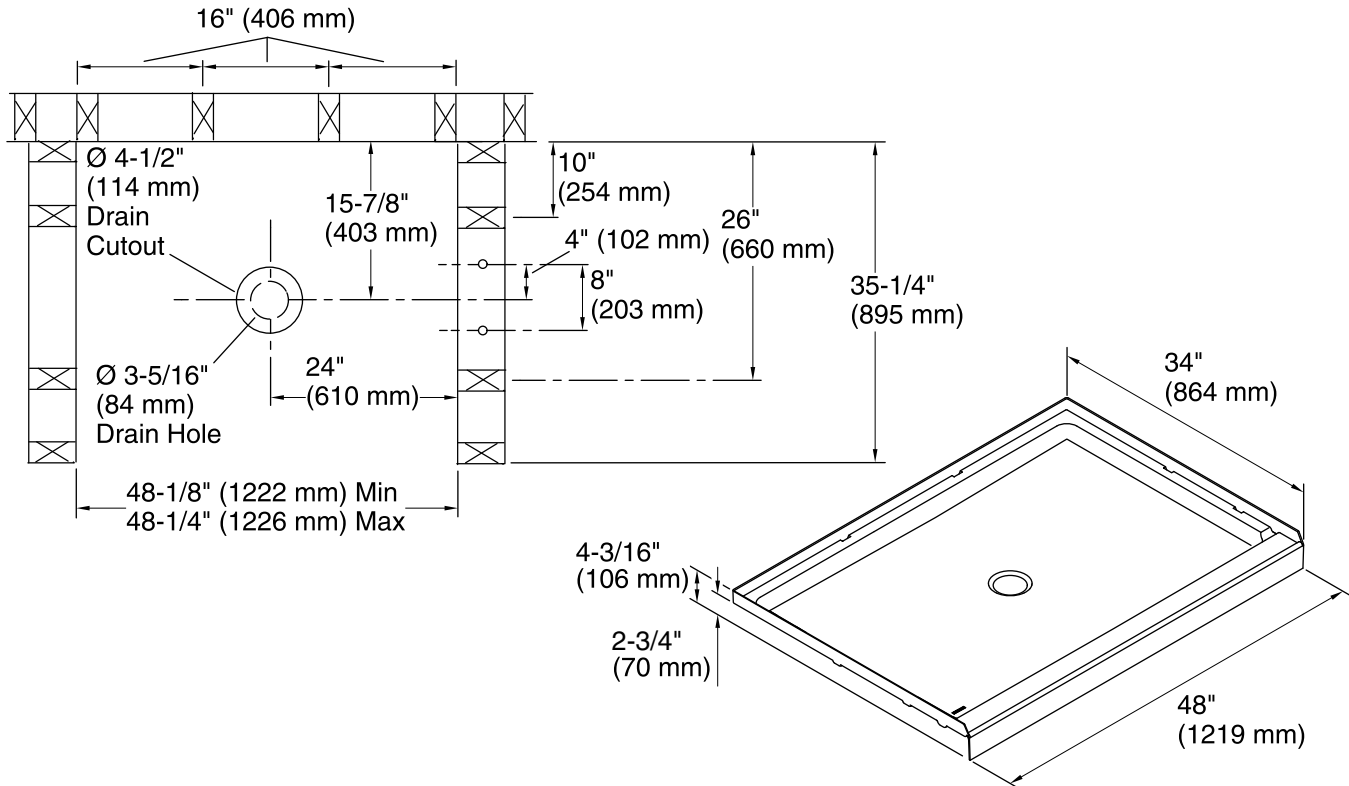
Color	Code	Description
	0	White
	96	KOHLER Biscuit

USA/Canada: 1-800-STERLING (1-800-783-7546)

Kohler Co. reserves the right to make revisions without notice to product specifications.

For the most current Specification Sheet, go to www.sterlingplumbing.com.

4-30-2017 05:16



Technical Information

All product dimensions are nominal.

Installation:	3-Wall Alcove
Drain location:	Center
Drain hole diameter:	3-5/16" (84 mm)
Weight:	30 lbs (13.6 kg)
Minimum flat for door:	2-1/2" (64 mm)
Threshold height:	3-1/8" (79 mm)
Door width required:	47" (1194 mm)

Notes

Install this product according to the installation instructions.

Studs should be positioned roughly as shown.

Double studding is recommended for pivot shower door installations.