



STORE+™

48" Shower with Backer Boards
72320106



Features

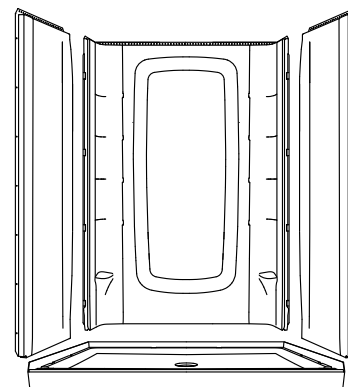
- Customizable 8-shelf storage system.
- Holds up to 30 bottles.
- Easy to clean - removable accessories are dishwasher safe.
- Convenient molded-in shaving ledges.
- Modular design allows it to be moved around corners and through doorways with ease.
- Four-sided water containment with full-length threshold guard and weep channels for added protection.
- Low 3-inch profile for easy entry and exit.
- Durable high gloss finish.
- 48" (1220 mm) x 34" (864 mm) x 75 3/4" (1924 mm) shower finished dimensions.

Material

- Compression molded from our exclusive Vikrell® material.

Installation

- Tongue-and-groove four-piece modular design allows for easy snap together installation.
- Sturdy accessories snap in place - No tools required.
- Wall surround includes backer boards for future grab bar installation.
- Compatible with Sterling GUARD+ shower bases.



Codes/Standards



CSA B45.5/IAPMO Z124
ASTM E162
ASTM E662
Greenguard UL 2818 - Gold
CARB P2

STERLING® Warranty - Fixtures Made of Solid Vikrell Material

See website for detailed warranty information.

Available Color/Finishes

Color tiles intended for reference only.

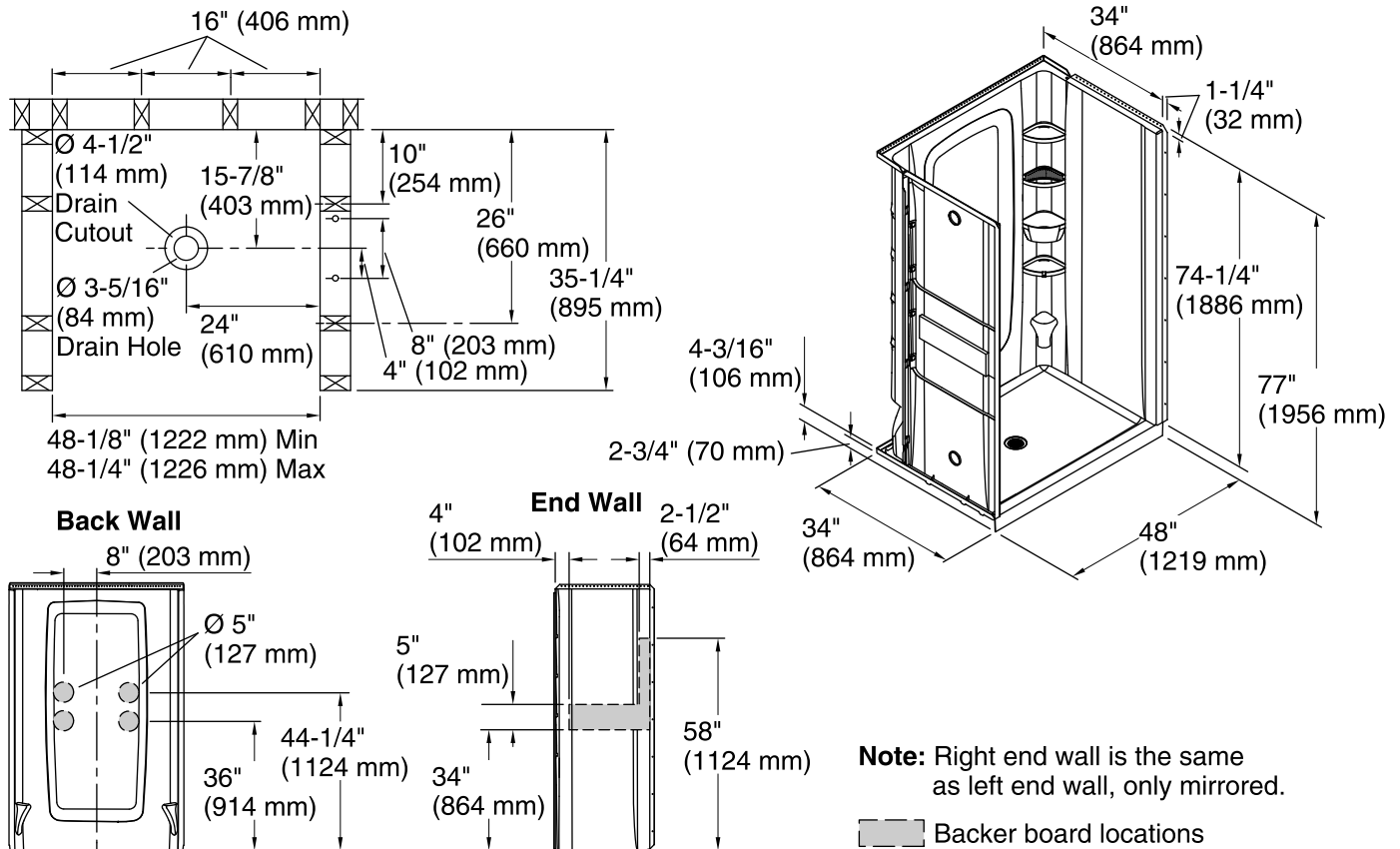
Color	Code	Description
	0	White
	96	Biscuit

USA/Canada: 1-800-STERLING (1-800-783-7546)

Kohler Co. reserves the right to make revisions without notice to product specifications.

For the most current Specification Sheet, go to www.sterlingplumbing.com.

4-12-2016 02:34



Technical Information

All product dimensions are nominal.

- Drain hole diameter: 3-5/16" (84 mm)
- Basin area, bottom: 29-1/16" x 44-3/4" (739 mm x 1137 mm)
- Basin area, top: 29-1/16" x 44-3/4" (739 mm x 1137 mm)
- Weight: 114 lbs (51.7 kg)
- Door height required: 72-1/2" (1842 mm)
- Door width required: 44-3/4" (1137 mm)

Notes

- Measure your actual product for rough-in details.
- Install this product according to the installation instructions.
- Studs should be positioned roughly as shown.
- Double studding is recommended for pivot shower door installations.
- Attach grab bars at the specified backer board locations only.