



GUARD+™

36" Shower Base

72301100



Features

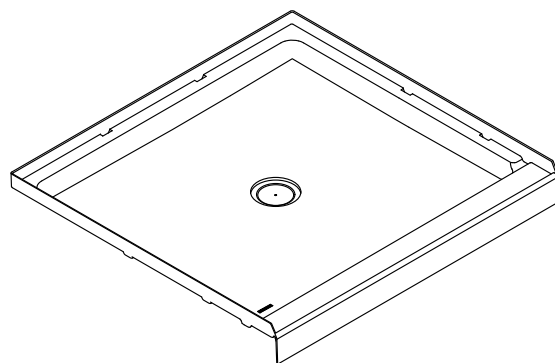
- Four-sided water containment with full-length threshold guard and weep channels for added protection.
- Low 3-inch profile for easy entry and exit.
- Durable high gloss finish.
- 36" (914 mm) x 34" (864 mm) x 3-1/8" (79 mm) base finished dimensions.

Material

- Compression molded from our exclusive Vikrell® material.

Installation

- Suitable for tile down application or with STERLING STORE+™ wall surround.



Codes/Standards

CSA B45.5/IAPMO Z124

Greenguard UL 2818 - Gold



STERLING® Warranty - Fixtures Made of Solid Vikrell Material

See website for detailed warranty information.

Available Color/Finishes

Color tiles intended for reference only.

Color	Code	Description
-------	------	-------------

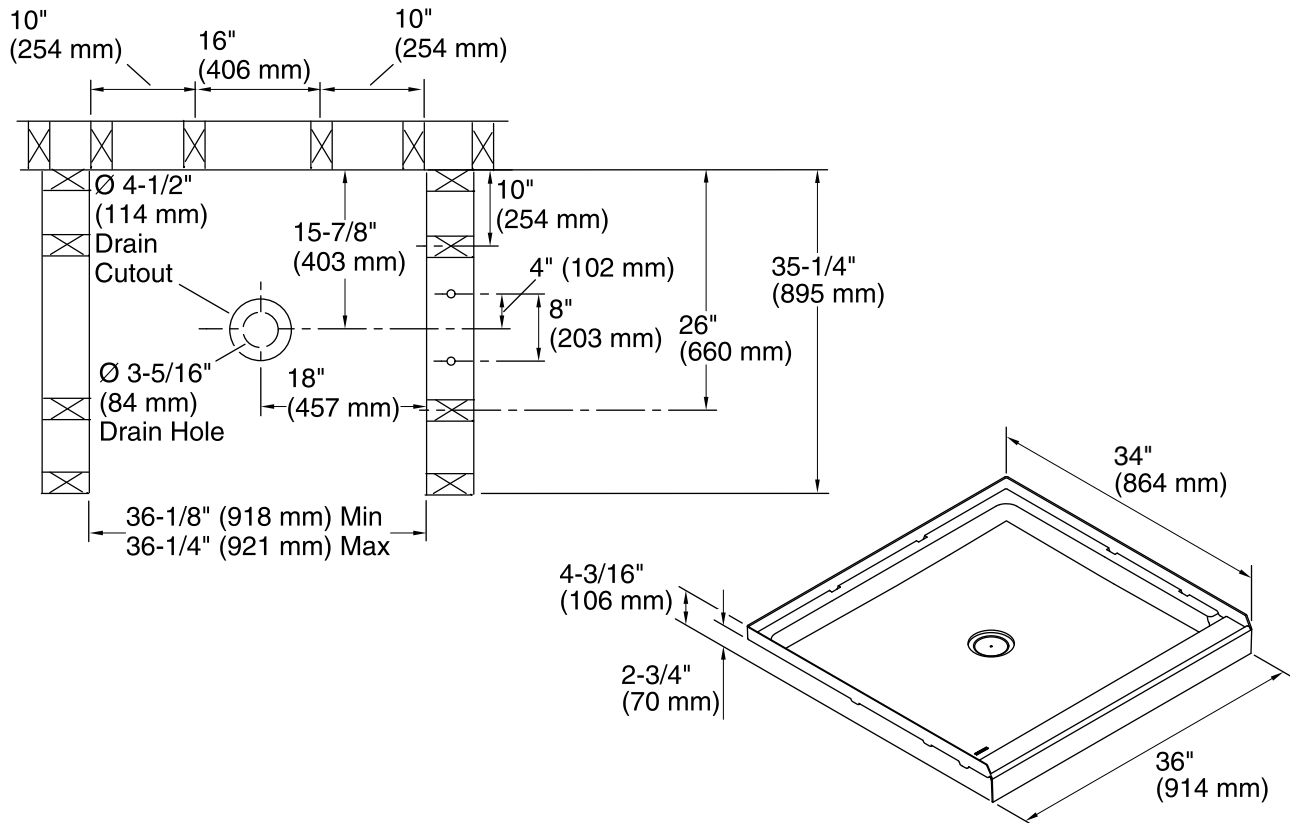
- | | | |
|--|----|---------|
|  | 0 | White |
|  | 96 | Biscuit |

USA/Canada: 1-800-STERLING (1-800-783-7546)

Kohler Co. reserves the right to make revisions without notice to product specifications.

For the most current Specification Sheet, go to www.sterlingplumbing.com.

4-12-2016 02:42



Technical Information

All product dimensions are nominal.

- Drain location: Center
- Drain hole diameter: 3-5/16" (84 mm)
- Weight: 23 lbs (10.4 kg)

Notes

- Measure your actual product for rough-in details.
- Install this product according to the installation instructions.
- Studs should be positioned roughly as shown.
- Double studding is recommended for pivot shower door installations.