



**STORE+™**

**36" Shower with Backer Boards  
72300106**



### Features

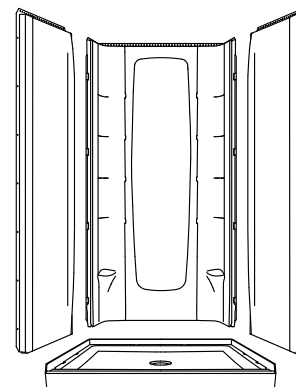
- Customizable 8-shelf storage system.
- Holds up to 30 bottles.
- Easy to clean - removable accessories are dishwasher safe.
- Convenient molded-in shaving ledges.
- Modular design allows it to be moved around corners and through doorways with ease.
- Four-sided water containment with full-length threshold guard and weep channels for added protection.
- Low 3-inch profile for easy entry and exit.
- Durable high gloss finish.
- 36" (914 mm) x 34" (864 mm) x 75-3/4" (1924 mm) shower finished dimensions.

### Material

- Compression molded from our exclusive Vikrell® material.

### Installation

- Tongue-and-groove four-piece modular design allows for easy snap together installation.
- Sturdy accessories snap in place - No tools required.
- Wall surround includes backer boards for future grab bar installation.
- Compatible with Sterling GUARD+ shower bases.



### Codes/Standards

CSA B45.5/IAPMO Z124  
ASTM E162  
ASTM E662  
Greenguard UL 2818 - Gold



### **STERLING® Warranty - Fixtures Made of Solid Vikrell Material**

See website for detailed warranty information.

### Available Color/Finishes

*Color tiles intended for reference only.*

Color	Code	Description
-------	------	-------------

- |  |    |         |
|--|----|---------|
|  | 0  | White   |
|  | 96 | Biscuit |

USA/Canada: 1-800-STERLING (1-800-783-7546)

Kohler Co. reserves the right to make revisions without notice to product specifications.

For the most current Specification Sheet, go to [www.sterlingplumbing.com](http://www.sterlingplumbing.com).

4-12-2016 02:41

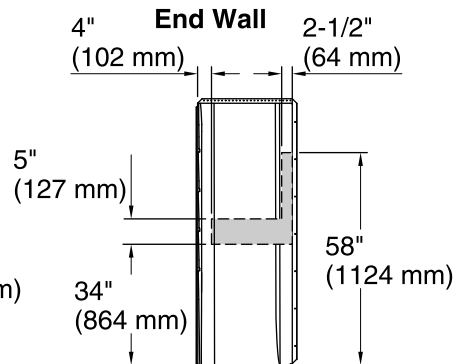
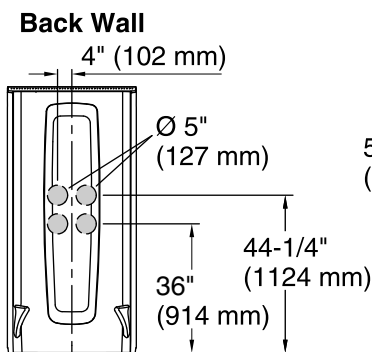
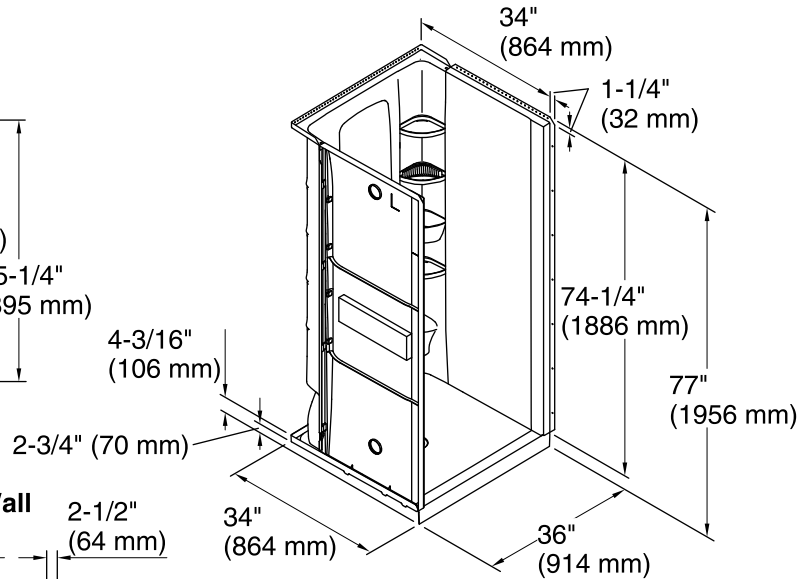
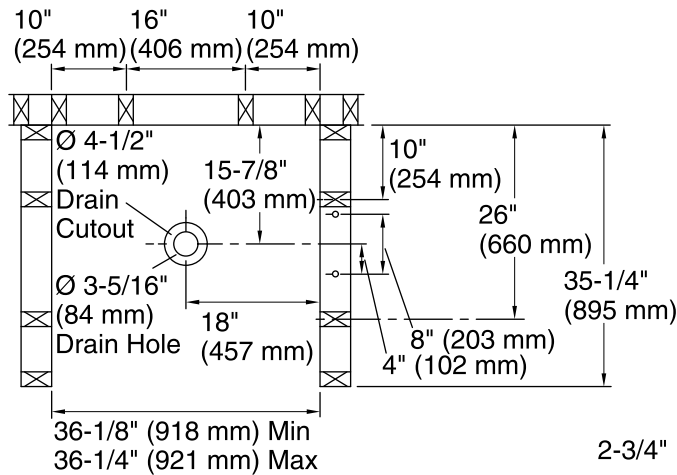
# STERLING

A KOHLER COMPANY


## STORE+™

### 36" Shower with Backer Boards

### 72300106



**Note:** Right end wall is the same as left end wall, only mirrored.

 Backer board locations

### Technical Information

All product dimensions are nominal.

Drain hole diameter: 3-5/16" (84 mm)

Basin area, bottom: 29-3/16" x 32-3/4" (742 mm x 832 mm)

Basin area, top: 29-3/16" x 32-3/4" (742 mm x 832 mm)

Weight: 96.4 lbs (43.7 kg)

Door height required: 72-1/2" (1842 mm)

Door width required: 32-3/4" (832 mm)

### Notes

Measure your actual product for rough-in details.

Install this product according to the installation instructions.

Studs should be positioned roughly as shown.

Double studding is recommended for pivot shower door installations.

Attach grab bars at the specified backer board locations only.