

# STERLING®

A KOHLER COMPANY

## Features

- Heavy-duty, anodized aluminum-framed glass doors
- Panels are guided by a unique continuous bottom track guide system
- Out-of-plumb adjustability allows for easy installation
- Reversible top track and towel bar allow a choice between a rounded or accented design
- Tempered glass ensures maximum safety and durability
- Aluminum components extruded from alloy 6063-T5
- Screw covers included
- Stainless steel hardware prevents rusting or corrosion
- Made specifically to fit Sterling® shower receptor and wallset only

## Codes/Standards Applicable

Specified model meets or exceeds the following:

- ANSI Z97.1 (tempered glass)
- 16 CFR Part 1201

## Specified Model

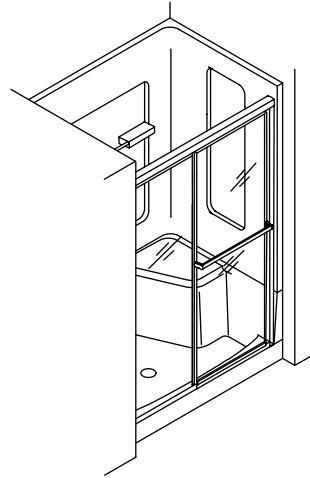
Model	A (Max Width)*	B (Height)*	C (Walk Through Max)*
SP5965-46S-G06	46-3/16" (1173 mm)	65-15/16" (1675 mm)	19-7/16" (494 mm)
<b>* Note: Consult the diagram on the next page for the location of the measurements.</b>			

### Recommended Accessories

62030100**	Advantage™ 48" (1219 mm) (OC-SS-48) alcove shower
------------	---

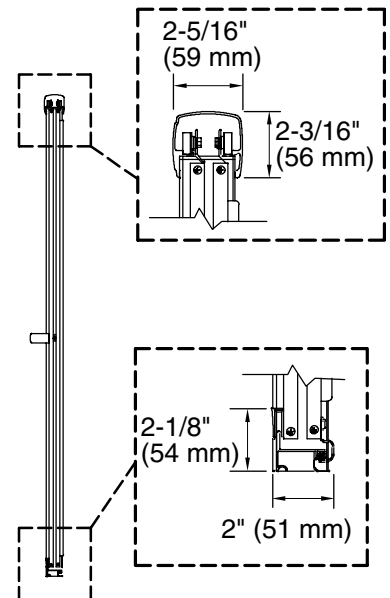
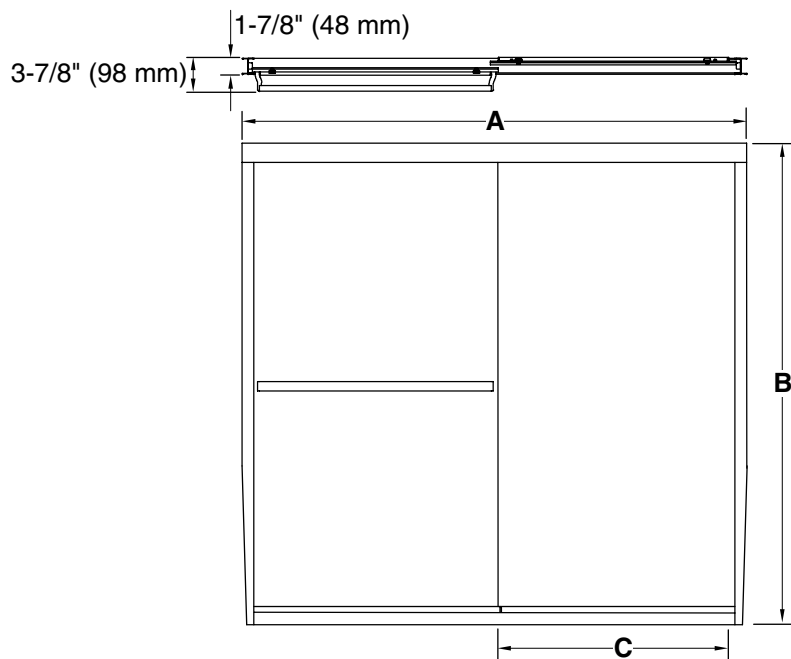
**\*\* Note: Refer to the Price Book for shower options and additional color information.**

## DELUXE BY-PASS SHOWER DOORS SP5965 Series



## Colors/Finishes

- Refer to the Price Book for current frame finish and glass options



### Product Diagram