

STERLING®

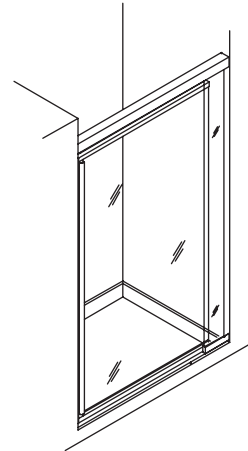
A KOHLER COMPANY

VISTA PIVOT™ II

SHOWER DOORS 1505DSP Series

Features

- Installs left- or right-handed
- Full length handle with magnet for easy operation
- Tempered glass ensures maximum safety and durability
- Threshold directs water back into the shower and minimizes soap or lint build up
- Pivot bushings provide silent operation
- Adjustable wall jamb allows for out-of-plumb conditions up to 1" (2.5 cm) per side
- Aluminum components extruded from alloy 6063-T5
- Stainless steel hardware prevents rusting or corrosion
- Wide adjustment allowance reduces inventory and eases installation - See models for exact dimensions
- Includes set of wall jambs to fit Advantage™ 48" (122 cm) showers
- Includes set of wall jambs to fit standard non-tapered applications



Colors/Finishes

- Refer to the Price Book for current frame finish and glass options

Codes/Standards Applicable

Specified model meets or exceeds the following:

- ANSI Z97.1 (tempered glass)
- 16 CFR Part 1201

Specified Model

Model	A Width (Max/Min)*	B (Height)*	C Walk Through (Max/Min)*
1505DSP-48**	48" (121.9 cm) 42" (106.7 cm)	65-1/2" (166.4 cm)	24-13/16" (63 cm) 19-1/2" (49.5 cm)
1506DSP-48**	48" (121.9 cm) 42" (106.7 cm)	65-1/2" (166.4 cm)	24-13/16" (63 cm) 19-1/2" (49.5 cm)

* Note: Consult the diagram on the next page for the location of the measurements.

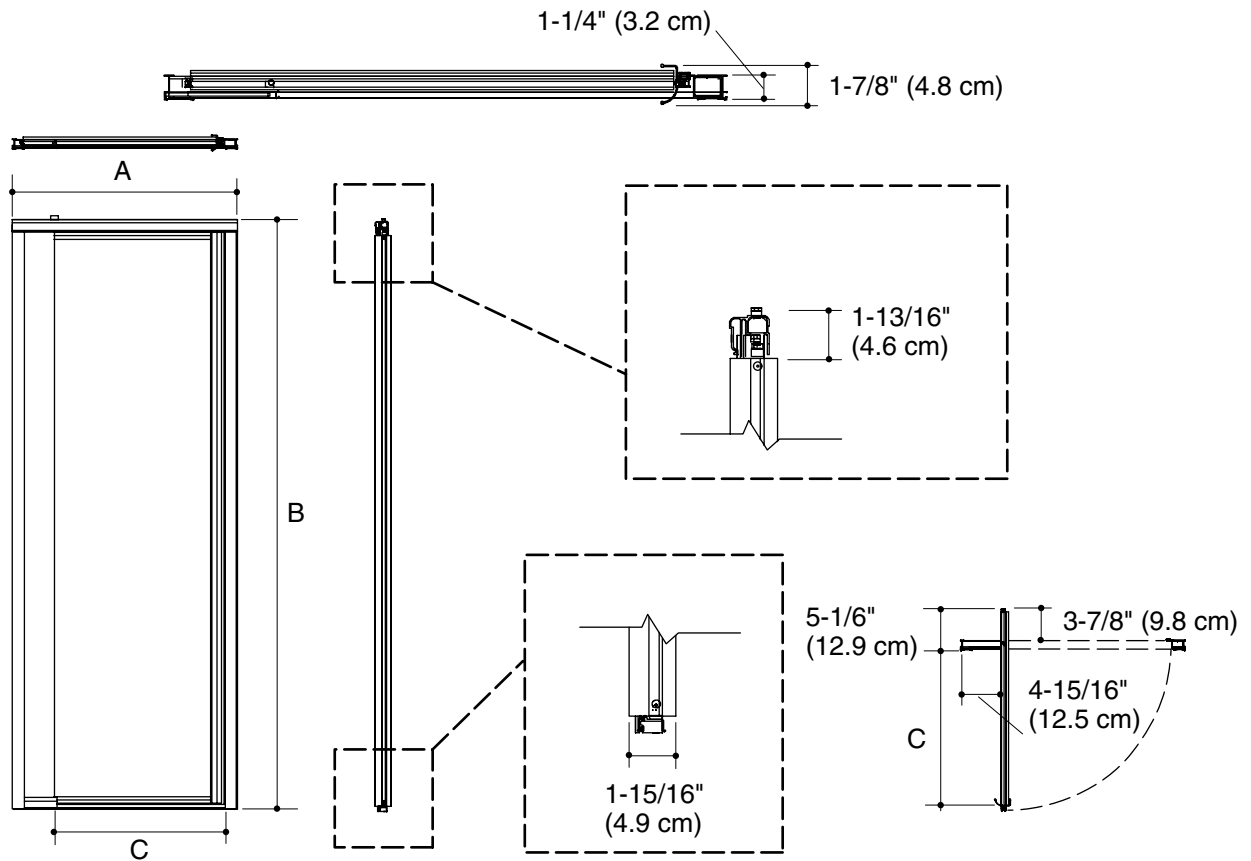
** Note: Add appropriate frame color/finish code to the end of the unit model # when ordering.

Recommended Accessories

6030100** Advantage™ 48" (OC-SS-48) Alcove Shower

** Note: Refer to the Price Book for shower options and additional color selections.

VISTA PIVOT™ II



Product Diagram