

STERLING®

A KOHLER COMPANY

ENSEMBLE™

Features

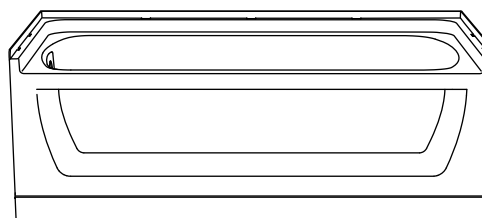
- Compression molded from our exclusive solid Vikrell® material
- Bath and integral apron eliminates installation step
- Above-floor-drain (AFD) rough-in
- Durable high-gloss finish
- 10-year consumer/3-year commercial limited warranty
- 2" (51 mm) wainscot/tile ledge
- 18-3/4" (476 mm) bath depth (floor to top of threshold)
- 60-1/4" (1530 mm) x 30-1/4" (768 mm) x 21-3/4" (552 mm) rough-in dimensions include nailing flange
- 60" (1524 mm) x 30-1/4" (768 mm) x 20-3/4" (527 mm) finished dimensions

Codes/Standards Applicable

Specified model meets or exceeds the following:

- CSA B45.5/IAPMO Z124
- ASTM E162
- ASTM E662
- HUD, UM Bulletin 73A
- NAHB Research Foundation, Inc.

30" AFD BATH
71171112
 ALSO 71171122



Colors/Finishes

- 0: White
- Other: Refer to Price Book for additional colors/finishes

Specified Model

Model	Description	Colors/Finishes	
71171112	30" AFD bath, left drain (shown)	<input type="checkbox"/> 0	<input type="checkbox"/> Other _____
71171122	30" AFD bath, right drain	<input type="checkbox"/> 0	<input type="checkbox"/> Other _____

ENSEMBLE™

Technical Information

Fixture*:	
Bathing well:	
Basin area, bottom	45" (1143 mm) x 20" (508 mm)
Basin area, top	53" (1346 mm) x 23" (584 mm)
To overflow:	
Water depth	11-1/4" (286 mm)
Capacity	44 gal (166.6 L)
* Approximate measurements for comparison only.	

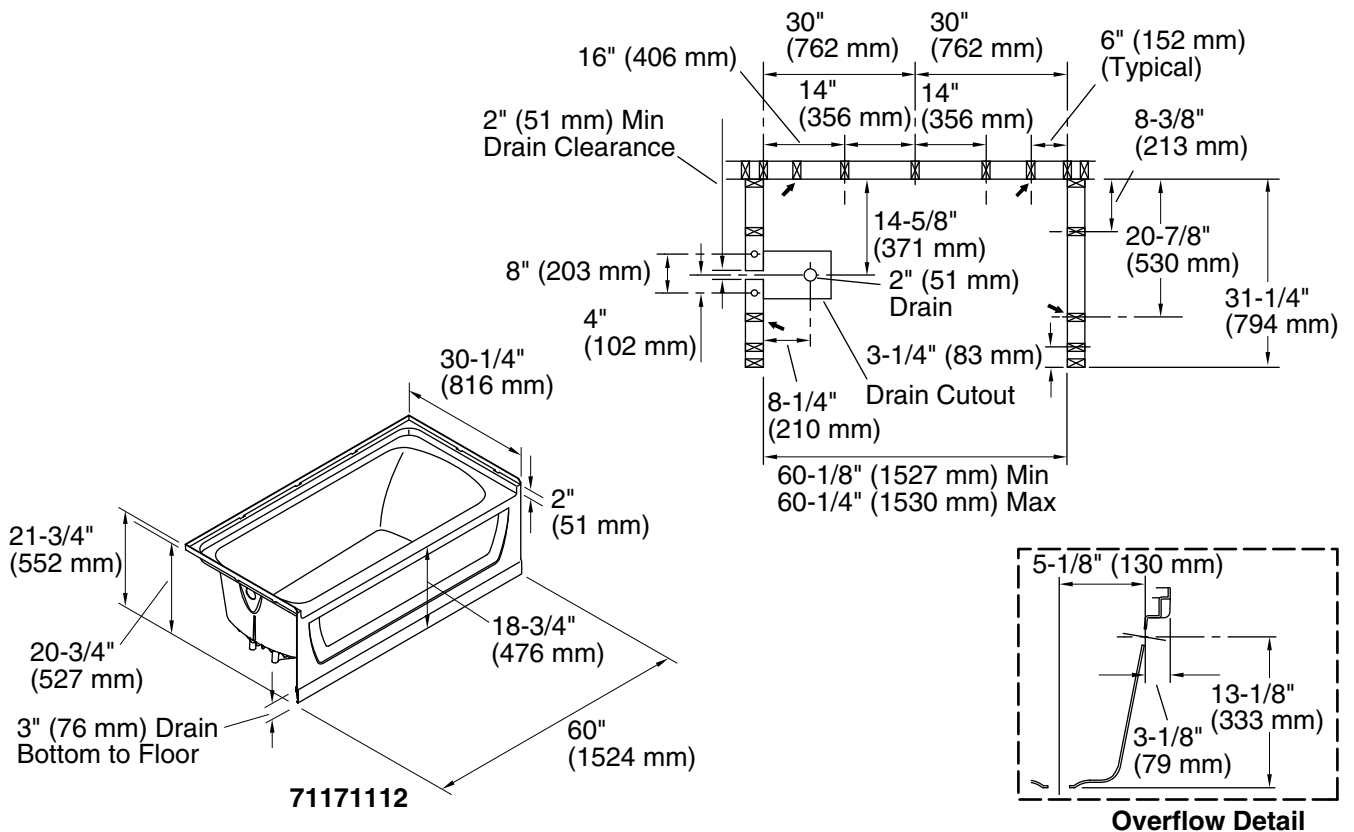
Model	door maximum width	door maximum height
71171112	57-11/16" (1465 mm)*	NA*
71171122		
* Varies with alternative walls.		

Installation Notes

Install this product according to the installation guide.

Size the drain cutout to fit the drain assembly that will be used.

Studs should be positioned roughly as shown.



Product Diagram