

STERLING®

A KOHLER COMPANY

FINESSE™

Features

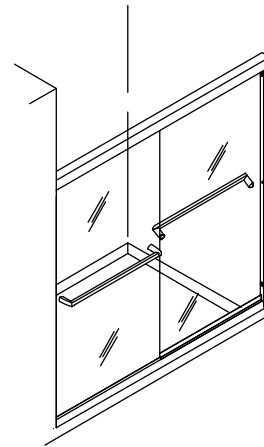
- CleanCoat® glass coating
- Heavy-duty, anodized aluminum-framed glass doors
- Out-of-plumb adjustability allows for easy installation
- Aluminum components extruded from alloy 6063-T5
- Stainless steel hardware prevents rusting or corrosion
- 1/4" (6 mm) thick tempered glass
- Two through-the-glass towel bars, located both inside and outside, enhance appearance and usability
- A new contemporary design of the towel bar and header for the Finesse series
- Frameless design highlights bathing area

Codes/Standards Applicable

Specified model meets or exceeds the following:

- ANSI Z97.1 (tempered glass)
- 16 CFR Part 1201

FRAMELESS BYPASS BATH/ SHOWER DOOR 5406 Series



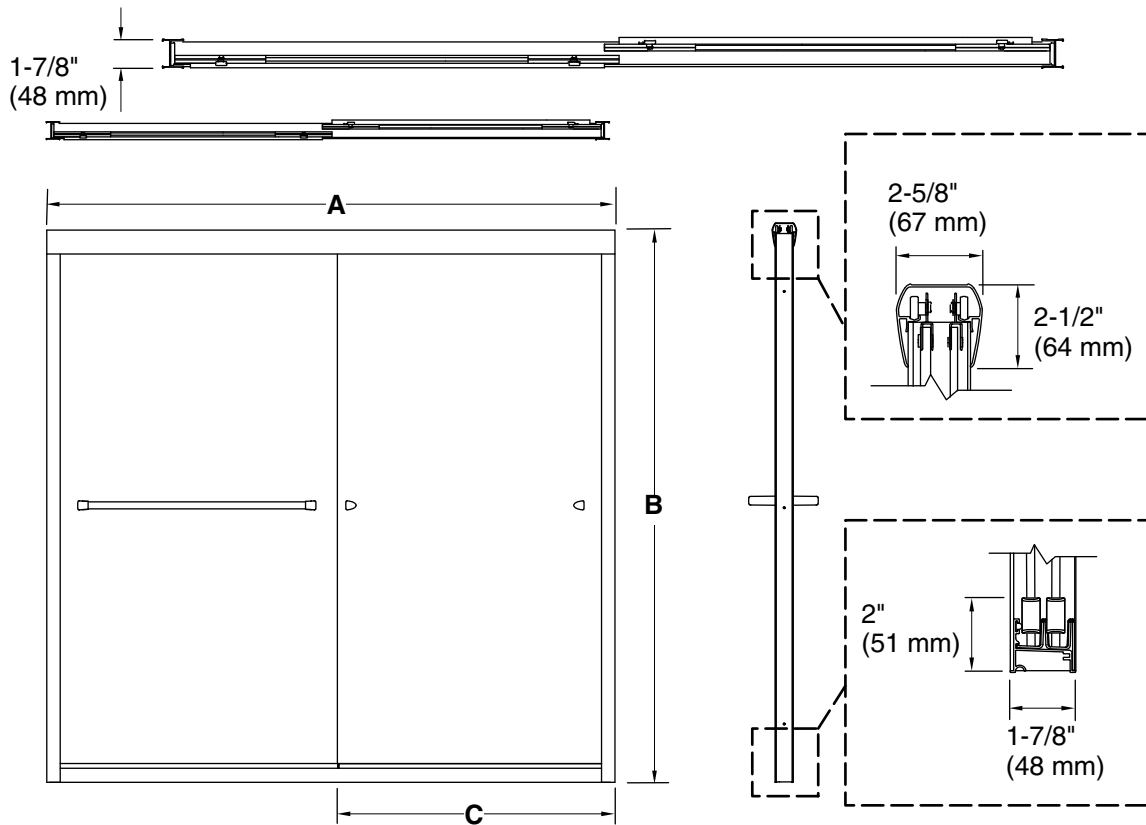
Colors/Finishes

- Refer to the Price Book for current frame finish and glass options

Specified Model

Model	A (Max Width)*	B (Height)*	C (Walk Through Max)*
5406-59**	59-5/8" (1514 mm)	58-1/16" (1475 mm)	27-7/8" (708 mm)
5426-59**	59-5/8" (1514 mm)	55-1/2" (1410 mm)	27-7/8" (708 mm)
5476-48**	47-5/8" (1210 mm)	70-1/16" (1780 mm)	21-7/8" (556 mm)
5476-59**	59-5/8" (1514 mm)	70-1/16" (1780 mm)	27-7/8" (708 mm)

* Note: Consult the diagram on the next page for the location of the measurements.
** Note: Add appropriate frame color/finish code to the end of the unit model # when ordering.



Product Diagram