

STERLING®

A KOHLER COMPANY

STINSON™

TOILET
402075

Features

- Modern styling made of Grade A vitreous china
- One flush performance
- 5-year limited warranty
- Flushes efficiently regardless of incoming water pressure
- Three-bolt, quick-connect installation system
- Elongated bowl
- Less seat and supply
- Sterling Pro Force™ Flushing Technology
- Metal trip lever handle
- Large 8" (20.3 cm) x 9" (22.9 cm) water surface and full 2" (5.1 cm) fully glazed trapway
- 12" (30.5 cm) rough-in
- 28" (71.1 cm) x 17-7/16" (44.3 cm) x 28-3/8" (72.1 cm)



Codes/Standards Applicable

Specified model meets or exceeds the following:

- ASME A112.19.2/CSA B45.1
- LADWP

Colors/Finishes

- 0: White
- Other: Refer to Price Book for additional colors/finishes

Specified Model

Model	Description	Included Tank	Included Bowl	Colors/Finishes	
402075	Toilet	402071	403070	<input type="checkbox"/> 0	<input type="checkbox"/> Other_____

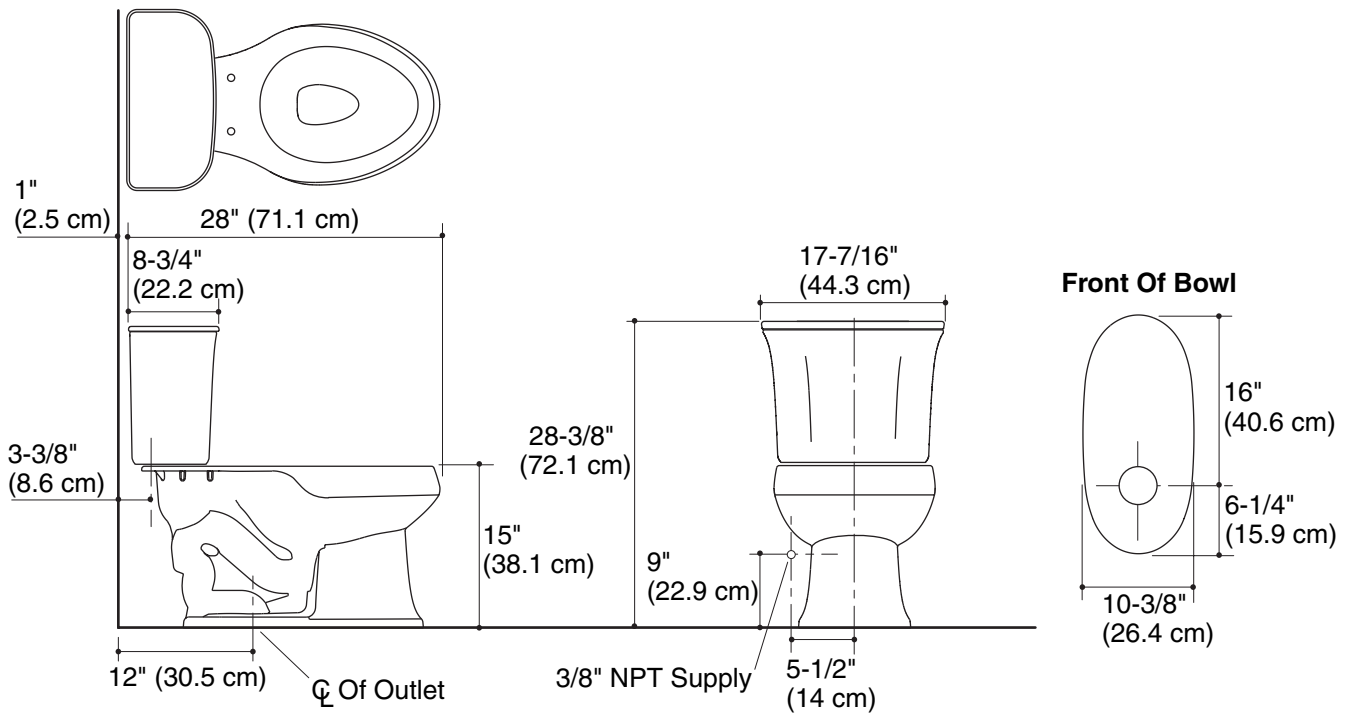
Technical Information

Fixture:	
Configuration	two-piece
Water per full flush	1.6 gal (6 L)
Passageway	2" (5.1 cm)
Water area	8" (20.3 cm) x 9" (22.9 cm)
Seat post hole centers	5-1/2" (14 cm)

Included components:	
Tank lid	1068490
Trip lever	1091081-CP

Installation Notes

One flush cleansing of the bowl per ASME A112.19.2/CSA B45.1 and Dual Flush toilets per ASME A112.19.14-2006 performance requirements, when installed and operated per instructions packed with the product.



Product Diagram