



Lawson™ 72" (1829 mm) x 36" (914 mm) Drop-In Bath 71301100

Features

- Durable high-gloss finish.
- 72" (1829 mm) x 36" (914 mm) x 20-5/16" (516 mm) finished dimensions

Material

- Compression molded from our exclusive solid Vikrell® material.



Codes/Standards

CSA B45.5/IAPMO Z124
ASTM E162
ASTM E662
Greenguard UL 2818 - Gold
HUD, UM Bulletin 73



STERLING® Warranty - Fixtures Made of Solid Vikrell Material

See website for detailed warranty information.

Available Color/Finishes

Color tiles intended for reference only.

Color	Code	Description
-------	------	-------------

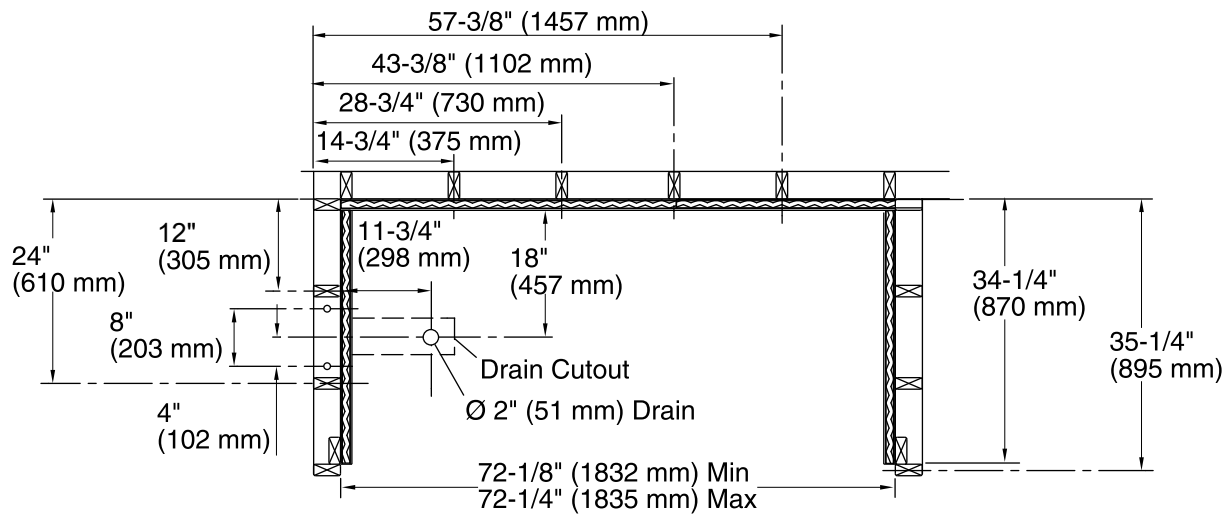
- | | | |
|--|----|---------|
|  | 0 | White |
|  | 96 | Biscuit |

USA/Canada: 1-800-STERLING (1-800-783-7546)

Kohler Co. reserves the right to make revisions without notice to product specifications.

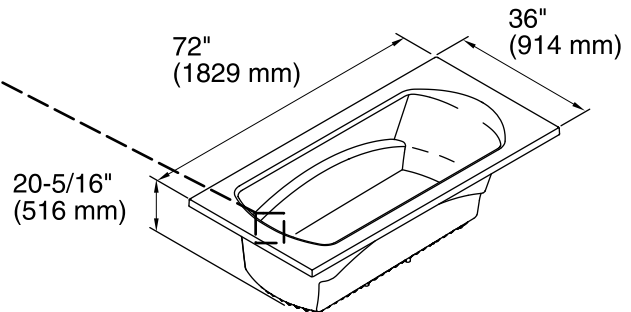
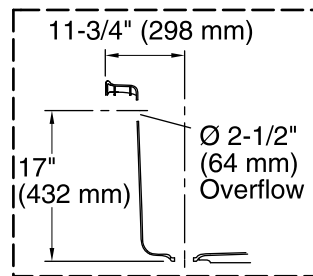
For the most current Specification Sheet, go to www.sterlingplumbing.com.

10-17-2015 05:04



Drain Detail

 Ledger Strip Locations



Technical Information

All product dimensions are nominal.

Installation:	Drop-in
Drain location:	End
Basin area, bottom:	50-3/8" x 21-3/4" (1280 mm x 552 mm)
Basin area, top:	58-1/4" x 27" (1480 mm x 686 mm)
Water depth:	15-1/4" (387 mm)
Water capacity:	68 gal (257.4 L)
Door width required:	72" (1829 mm)

Notes

Measure your actual product for roughing-in details.

Install this product according to the installation guide.

Studs should be positioned roughly as shown.

Double studding is recommended for pivot shower door installations.