



# Ensemble™

## 60" x 32" End Drain Shower Base

### 72181120



#### Features

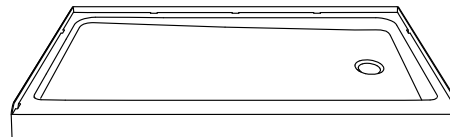
- End drain makes it perfect for replacing an existing bath without moving the drain location.
- Durable high-gloss finish.
- 60" (1524 mm) x 32" (812 mm) x 3.5" (89 mm) unit finished dimensions.

#### Material

- Compression molded from our exclusive Vikrell material.

#### Installation

- Suitable for tile down application.



#### Codes/Standards



CSA B45.5/IAPMO Z124  
ASTM E162  
ASTM E662  
HUD, UM Bulletin 73

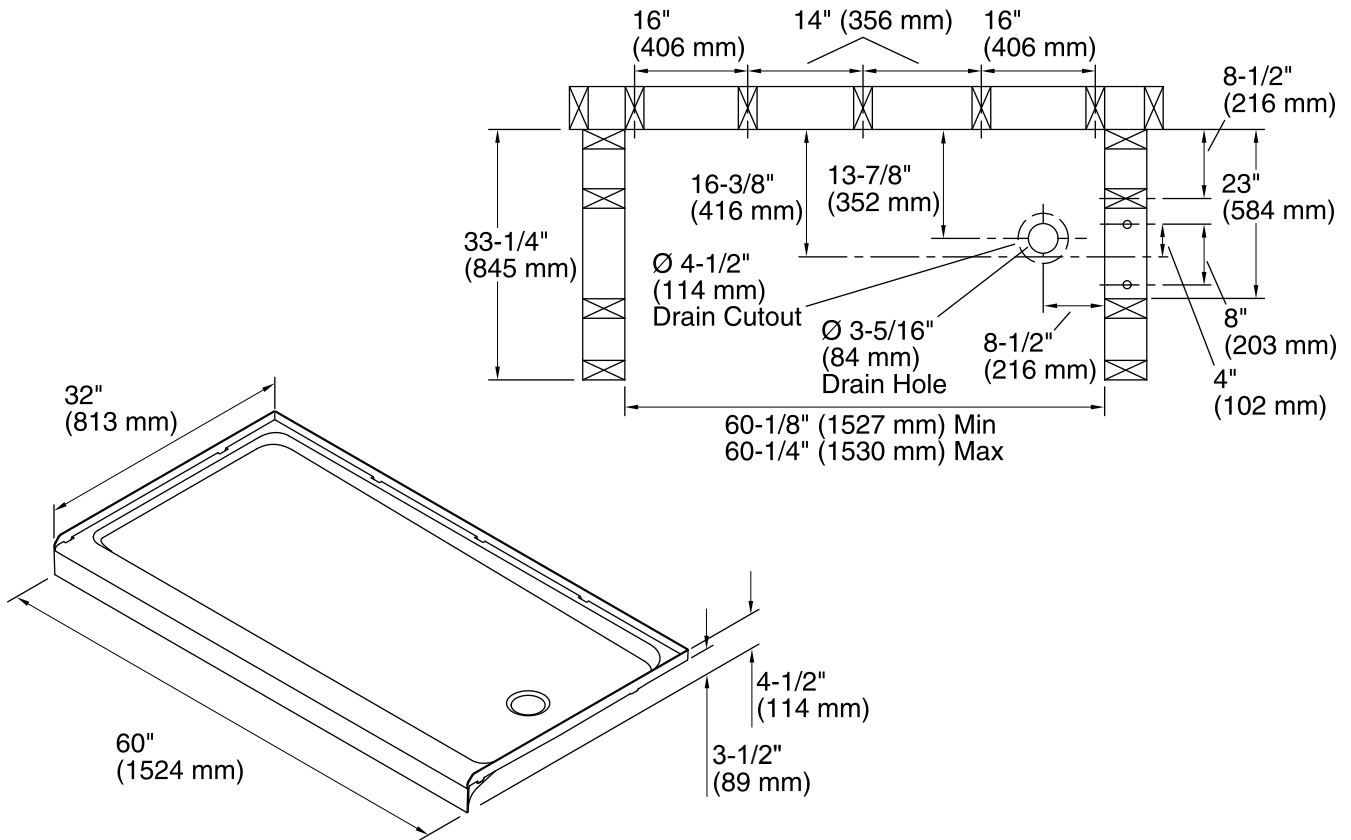
#### STERLING® Warranty - Fixtures Made of Solid Vikrell Material

See website for detailed warranty information.

#### Available Color/Finishes

*Color tiles intended for reference only.*

Color	Code	Description
	0	White
	96	Biscuit



**Technical Information**

All product dimensions are nominal.

Installation: 3-Wall Alcove

Drain location: Right

Weight: 35.6 lbs (16.1 kg)

**Notes**

Install this product according to the installation guide.

Double studding is recommended for pivot shower door installations.

Studs should be positioned roughly as shown.