

STERLING®

A KOHLER COMPANY

ENSEMBLE™

Features

- Compression molded from our exclusive solid Vikrell® material
- Bath and integral apron eliminates installation step
- Durable high-gloss finish
- Tongue-and-groove 4-piece modular design allows for easy "snap together" installation
- Above-floor-drain (AFD) rough-in
- Caulkless seam installation
- 10-year consumer/3-year commercial limited warranty
- 2" (51 mm) wainscot/tile ledge
- 18-3/4" (476 mm) bath depth (floor to top of threshold)
- 60-1/4" (1530 mm) x 31-1/4" (794 mm) x 77" (1956 mm) complete unit rough-in dimensions include flange
- 60" (1524 mm) x 30-1/4" (768 mm) x 75-3/4" (1924 mm) complete unit finished dimensions

Codes/Standards Applicable

Specified model meets or exceeds the following:

- CSA B45.5/IAPMO Z124
- ASTM E162
- ASTM E662
- HUD, UM Bulletin 73A
- NAHB Research Foundation, Inc.

Specified Model

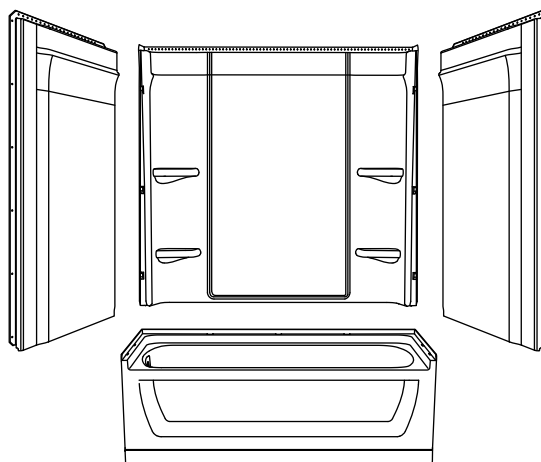
Model	Complete Unit Description	Colors/Finishes	
71370112	30" AFD bath and wall surround, Medley™ wall, left drain (shown)	<input type="checkbox"/> 0	<input type="checkbox"/> Other_____
71370122	30" AFD bath and wall surround, Medley™ wall, right drain	<input type="checkbox"/> 0	<input type="checkbox"/> Other_____

30" AFD BATH AND WALL SURROUND

71370112
ALSO 71370122



MATERIAL STRENGTH.
PROVEN PERFORMANCE.™



Colors/Finishes

- 0: White
- Other: Refer to Price Book for additional colors/finishes

ENSEMBLE™

Technical Information

Fixture*:	
Bathing well:	
Basin area, bottom	45" (1143 mm) x 20" (508 mm)
Basin area, top	53" (1346 mm) x 23" (584 mm)
To overflow:	
Water depth	11-1/4" (286 mm)
Capacity	44 gal (166.6 L)
* Approximate measurements for comparison only.	

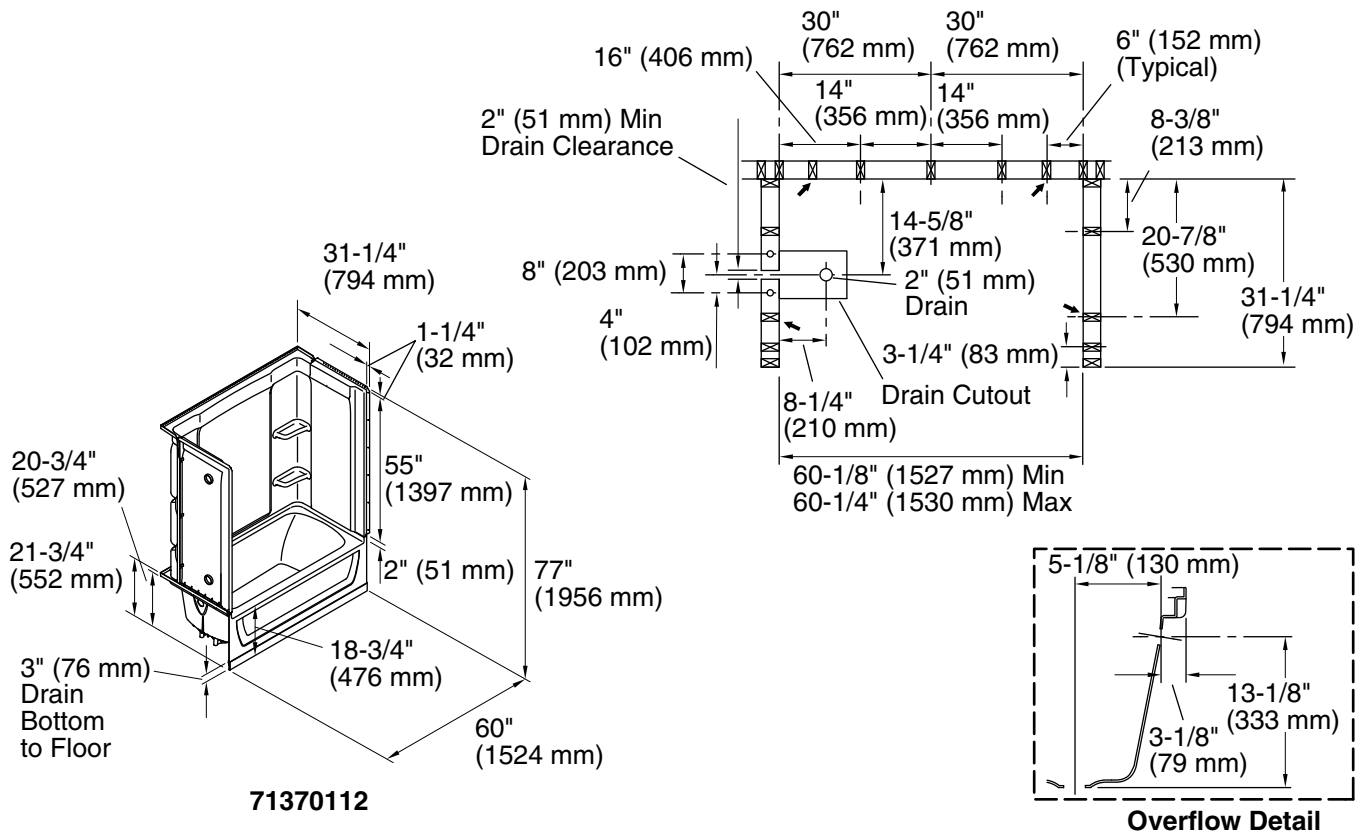
Model	door maximum width	door maximum height
71370112	57-11/16" (1465 mm)	56-3/4" (1441 mm)
71370122		

Installation Notes

Install this product according to the installation guide.

Size the drain cutout to fit the drain assembly that will be used.

Studs should be positioned as shown.



Product Diagram