

STERLING®

A KOHLER COMPANY

ENSEMBLE™

Features

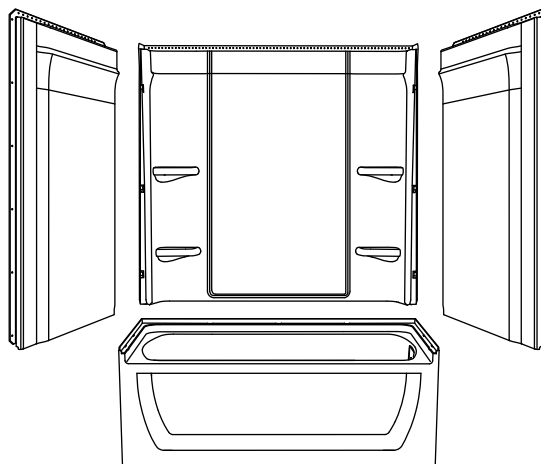
- Compression molded from our exclusive solid Vikrell® material
- Above-floor-drain (AFD) rough-in
- Durable high-gloss finish
- Tongue-and-groove 4-piece modular design allows for easy "snap together" installation
- Caulkless seam installation
- 10-year consumer/3-year commercial limited warranty
- 2" (51 mm) wainscot/tile ledge
- 20" (508 mm) bath depth (floor to top of threshold)
- 60-1/4" (1530 mm) x 33-1/4" (845 mm) x 78-1/4" (1988 mm) rough-in dimensions include nailing flange
- 60" (1524 mm) x 32" (813 mm) x 77" (1956 mm) finished dimensions

Codes/Standards Applicable

Specified model meets or exceeds the following:

- CSA B45.5/IAPMO Z124
- ASTM E162
- ASTM E662
- HUD, UM Bulletin 73A
- NAHB Research Foundation, Inc.

32" AFD BATH AND WALL SURROUND
71320112
 ALSO 71320122



Colors/Finishes

- 0: White
- Other: Refer to Price Book for additional colors/finishes

Specified Model

Model	Complete Unit Description	Colors/Finishes	
71320112	32" AFD bath and wall surround, Medley™ wall, left drain	<input type="checkbox"/> 0	<input type="checkbox"/> Other _____
71320122	32" AFD bath and wall surround, Medley™ wall, right drain (shown)	<input type="checkbox"/> 0	<input type="checkbox"/> Other _____

ENSEMBLE™

Technical Information

Fixture*:	
Bathing well:	
Basin area, bottom	42" (1067 mm) x 20" (508 mm)
Basin area, top	54" (1372 mm) x 26" (660 mm)
To overflow:	
Water depth	13" (330 mm)
Capacity	51 gal (193 L)
* Approximate measurements for comparison only.	

Model	door maximum width	door maximum height
71320112	57-11/16" (1465 mm)	56-3/4" (1441 mm)
71320122		

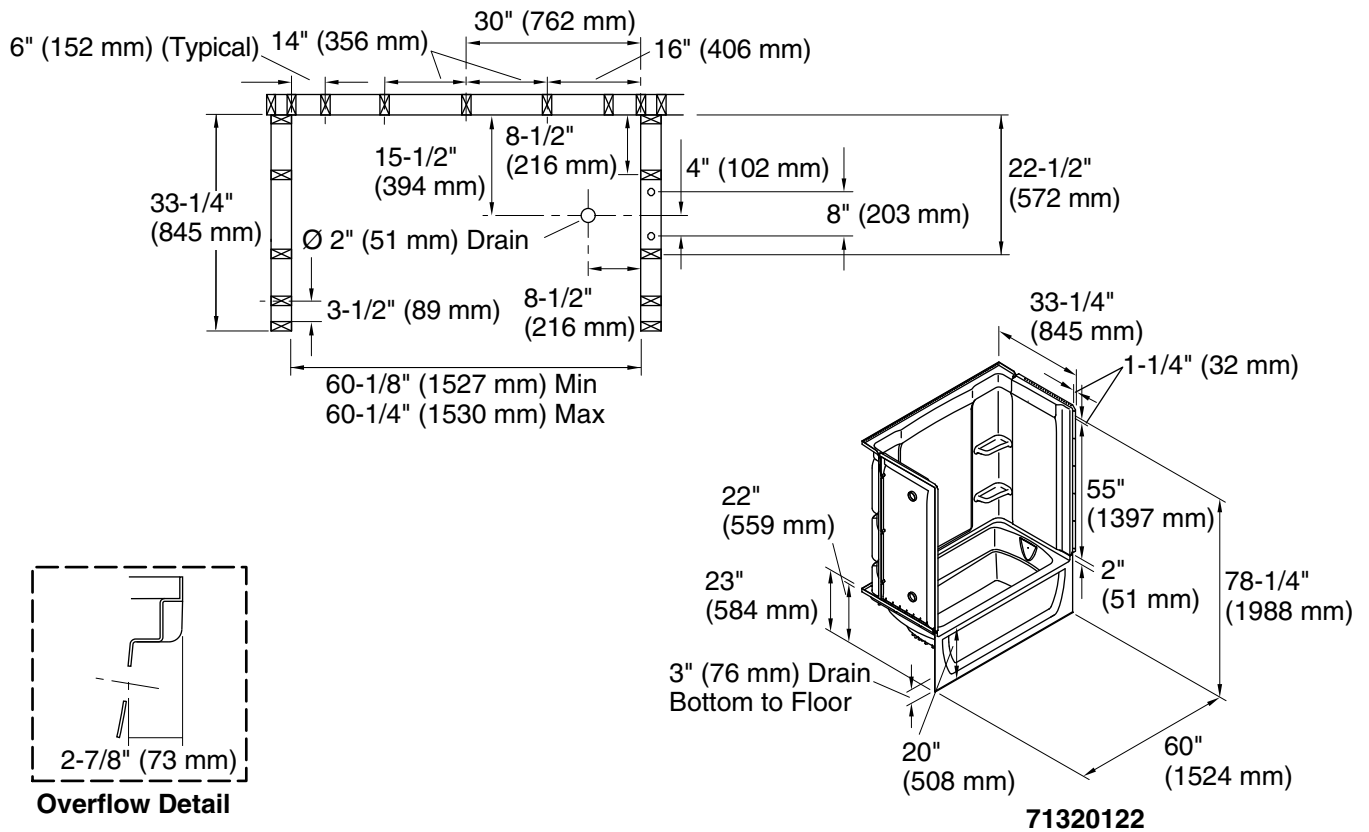
Installation Notes

Install this product according to the installation guide.

Size the drain hole clearance to fit the drain assembly that will be used.

End stud positioning is critical if nailing-in flanges are to be used.

Studs should be positioned roughly as shown.



Product Diagram