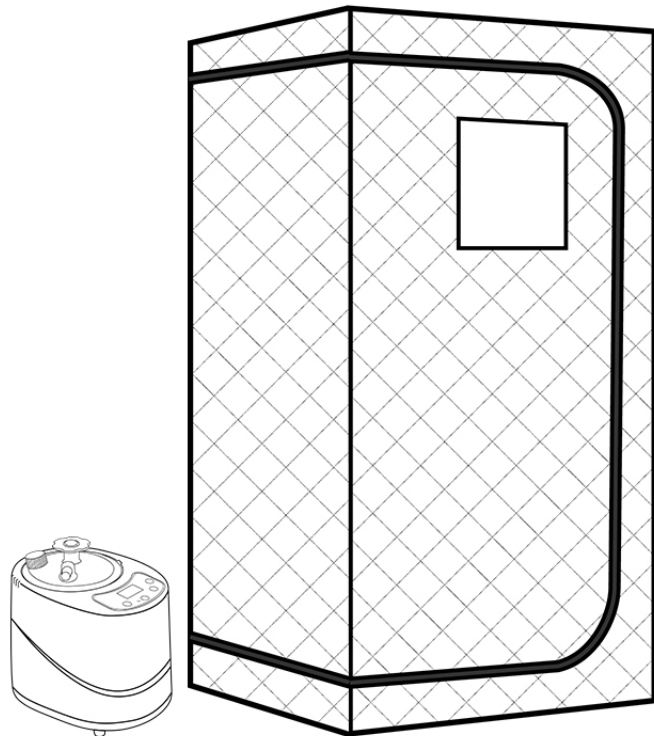




PORTABLE STEAM SAUNA USER GUIDE

MODELS

SP-SS0003-1P



DON'T WAIT! REGISTER NOW!

Register your product within 90 days to ensure your steam bath generator is recognized as an official purchase and is eligible for warranty coverage.

Mail in the completed registry card (Pg. 2) or register online at www.SteamSpa.com/register.



PRODUCT REGISTRATION*

IMPORTANT: Your warranty will not be recognized unless this card is fully completed and returned or online registration is completed.

To ensure that your warranty is registered and confirmed please do one of the following:

- 1. Register online at www.SteamSpa.com/register.** You will be asked to fill out the same information you would in the registration card. Registering online is fast, secure and ensures we receive your information.
- 2. Complete, cut out and mail the registration card below.** By returning this registration card we confirm the date of purchase for your new product. This confirmation will allow us to process any warranty claims.

Mail the card to: 5701 NW 35 Avenue, Miami, FL 33142



Product Registration Card

Name Address

City State Zip

Phone Email.....

Date of Purchase..... **Order or Purchase #**..... **SKU or Model #**.....

Installer's Name Phone

I have read the Owner's Guide carefully and understand and agree that any installation, operation or maintenance of the sauna and accessories must be done strictly in accordance with instructions and guidelines contained in the owner's manual and installation guide.

Signature..... **Date**.....

IMPORTANT WARRANTY INFORMATION!



WARRANTY AND REPAIR GUIDELINES

SteamSpa warrants that this portable sauna unit will be free from manufacturer defects and malfunctions. For terms and conditions please refer to the latest SteamSpa Warranty at www.SteamSpa.com/warranty.

Please be advised failure to comply with any of the following will VOID the warranty.

1. Sauna must be registered within 90 days of delivery. See www.SteamSpa.com/register.

Warranty Period:

This product is covered under warranty for a period of one year, commencing from the date of purchase.

Requesting Repairs:

In the event that your sauna requires repair, please reach out to our dedicated service center for assistance.

Conditions for Chargeable Repairs:

While many repairs are covered under warranty, there are specific circumstances under which charges will be incurred for material replacement only. These include:

a. Improper Use and Handling:

Damages resulting from usage not in accordance with the manufacturer's guidelines.

b. Voltage Compliance:

Issues arising from operating the device outside the specified voltage requirements.

c. Unauthorized Reassembly:

Any malfunction or damage occurring after the device has been reassembled after initial installation by our authorized supplier.

d. Environmental and Accidental Damage:

Damages caused by natural events, disasters, or fire are not covered under the warranty.

For further information or assistance, visit www.SteamSpa.com/warranty or call 1-800-856-0172.

TABLE OF CONTENTS

USER INSTRUCTIONS 5

WARNING 5

SPECIFICATONS 8

PRODUCT SIZE CHART..... 8

COMPONENTS..... 9

PARTS OF THE TENT10

INSTALLATION10

INSTRUCTIONS FOR USE.....13

TROUBLE SHOOTING15

INSTALLATION & USER GUIDE

IMPORTANT!

- Malfunctions, damages, parts replacement and labor resulting from improper installation, negligence, or lack of care and maintenance will NOT be covered under the SteamSpa Warranty.
- PRIOR TO INSTALLATION, ENSURE THAT THE PRODUCT IS POWERED OFF. DO NOT USE THE PRODUCT IN A HUMID ENVIRONMNET.

Thank You for choosing SteamSpa for health, beauty and relaxation. Now you can enjoy your own private sanctuary in the comfort of your own home.

USER INSTRUCTIONS

1. Check for visible damages upon delivery of portable sauna. Any damages to packaging should be reported immediately to shipping company delivery representative and SteamSpa's Customer Service Dept.
2. Check model and accessories are correct, including voltage input. Any discrepancies are to be reported to SteamSpa's Customer Service Dept. within 48 hours of delivery.
3. Read installation instructions in detail for a secure and effective installation of SteamSpa portable sauna.
4. SteamSpa shall not be responsible for product damage or malfunction caused by self-installation or installation procedures which do not comply with user manual.
5. SteamSpa portable saunas are for indoor use only.

WARNING




Please read carefully before using sauna

- DO NOT use the sauna product with any of the following Health Conditions:
 1. Any type of respiratory condition
 2. Any type of a heart condition
 3. High or low blood pressure
 4. Pregnancy
 5. Any skin disease or disorders
 6. After or during drinking alcohol or alcoholic beverages

Check with your doctor regarding the use of this product if you have any other health conditions.

WARNING

Please read carefully before using sauna

- Unplug the electrical cord after each use.
 - Do not use in wet or damp conditions, there is a risk of electric shock.
 - Keep the electrical cord away from heat sources.
 - Never operate the unit if the electrical cord or plug has been damaged.
 - Do not pull on the electrical cord.
 - Repair must be performed by manufacturer, its service agent or qualified person.
 - Hyperthermia occurs when the internal temperature of the body reaches a level several degrees above the normal body temperature of 98.6°F (37°C). The symptoms of hyperthermia include an increase in the internal temperature of the body, dizziness, lethargy, drowsiness, and fainting. The effects of hyperthermia include:
 - a. Failure to perceive heat
 - b. Failure to recognize the need to exit the sauna, or Physical inability to exit the sauna
 - c. Unawareness of impending hazard
 - d. Fetal damage in pregnant women
 - e. Unconsciousness
 - Obese persons and persons with a history of heart disease, low or high blood pressure circulatory system problems, or diabetes should consult a physician before using a sauna.
 - Persons using medication should consult a physician before using a sauna since some medication may induce drowsiness, while other medications may affect heart rate, blood pressure and circulation.
 - Allow the steamer to cool down for a few minutes before you enter the sauna.
 - Do not touch the steamer with wet hands or feet when it is plugged into the socket.
 - Do not place the steamer in water or in any other liquid with chemicals or detergents.
 - After use, clean away the moisture inside the tent with soft cloth and dry it.
 - Unplug the steamer before performing any maintenance.
-  The use of alcohol, drugs, or medication can greatly increase the risk of fatal hyperthermia.
-  It is highly recommended that you DO NOT use the sauna for over 30 minutes per day and DO NOT use it more than 3 times per week.
-  NOT recommended for use by persons under 18 years of age.

ATTENTION

USAGE PRECAUTIONS

- The sauna is not medical equipment and is not intended to be used for medical purposes.
- Consult your doctor before using the sauna when pregnant or if under medical care.
- Stop using the sauna immediately if you feel discomfort, nausea, or sleepy.
- Do not plug in the electrical cord before the sauna is completely installed.
- Do not plug in while folded for storage.
- Staying too long in the sauna may cause overheating.
- The sauna is not to be used by persons (including children) with reduced physical, sensory or mental capabilities, or lack of experience with the product, unless they have been given supervision or instruction.
- Do not let children play with or in the sauna.
- Individuals who may be at risk from hyperthermia, such as individuals suffering from cardiovascular disease, should seek medical advice before use of sauna.
- If you are a person with compromised heat or pain sensation, or under the influence of alcohol or tranquilizers, you should not use sauna.
- If an extension cord (or a long detachable power-supply cord) is used:
 - 1) The marked electrical rating of the detachable power-supply cord or extension cord should be at least as great as the electrical rating of the appliance.
 - 2) If the electrical cord is grounded, use a grounded three prong extension cord.
 - 3) The extension cord should be arranged so that it will not drape over the countertop or tabletop where it can be tripped over, snagged, or pulled on unintentionally (especially by children).

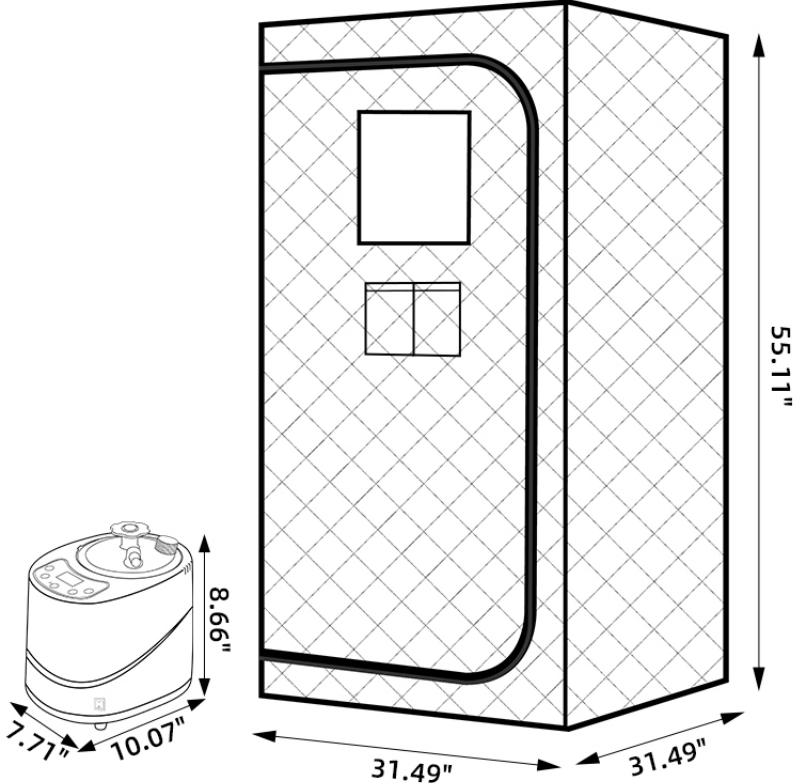
- CAUTION** To provide continued protection against the risk of electric shock:
- 1) Disconnect the electrical cord before filling, rinsing, or cleaning the steamer.
 - 2) Do not fill above the filled level mark.
 - 3) Connect to properly grounded outlets only.

SPECIFICATIONS

SPECS	SP-SS0003-1P
Assembled Tent Dimensions(L x W x H)	31.49" x 31.49" x 55.11" (80 x 80 x 140 cm)
Power Output	900 Watts
Maximum Temperature	113°F (45°C)
Time Setting Limit	Up to 99 Minutes
Voltage	120V AC / 60Hz
Weight	22 lb (10 KG)

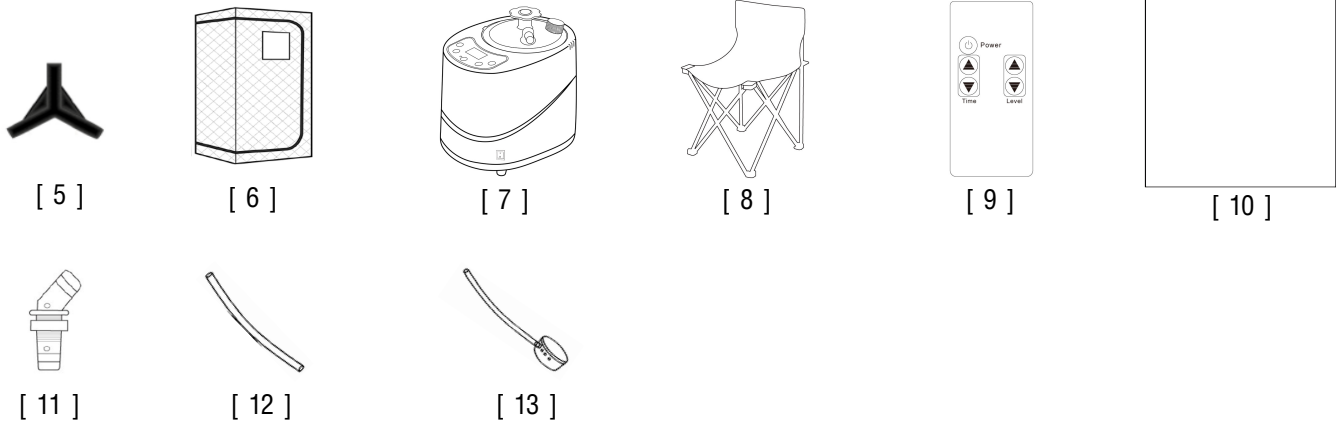
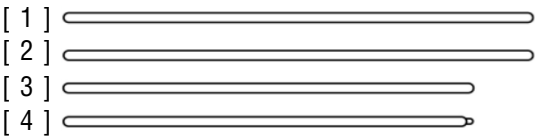
INSTALLATION & USER GUIDE

PRODUCT SIZE CHART



SP-SS0003-1P Dimension

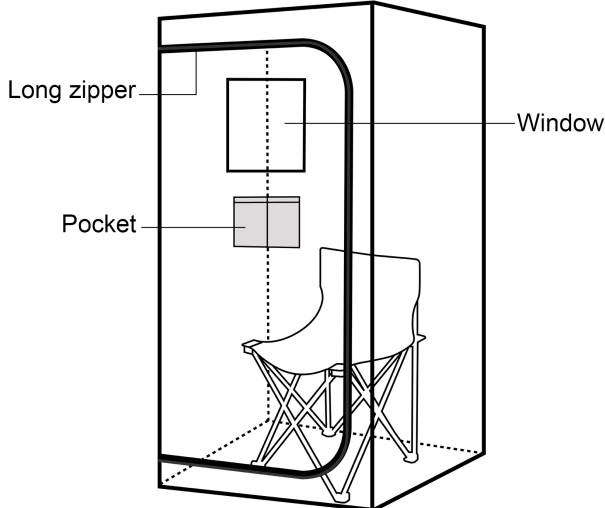
COMPONENTS



PART	Description	Qty.
1	Side Bar	4
2	Front/Back Bar	4
3	Upper Bar	2
4	Lower Bar	2
5	T-connector	8
6	Sauna Tent	1
7	Steam Generator	1

PART	Description	Qty.
8	Foldable Chair	1
9	Remote Control	1
10	Floor Mat	1
11	Connector	1
12	Hose	1
13	Hose & Steam Head	1

PARTS OF THE TENT



INSTALLATION & USER GUIDE

INSTALLATION

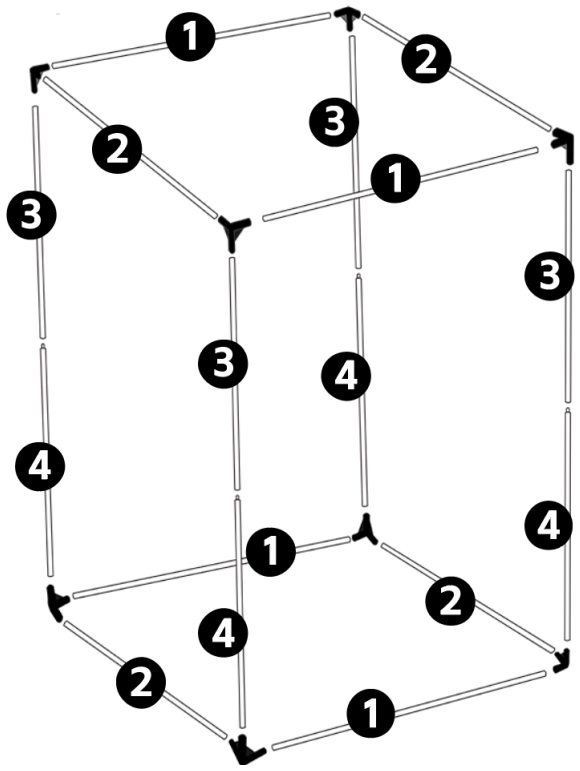


Fig 2

NOTICE: Keep away from sharp objects that may damage the unit when setting up or closing down the sauna equipment.

STEP 1
Assemble the frame of the tent as shown.
(Fig 2)

INSTALLATION

STEP 2

1. Unfold the Sauna Tent [6] and place it on the floor as shown. (Fig 3)
2. Place the frame in the Sauna Tent [6].

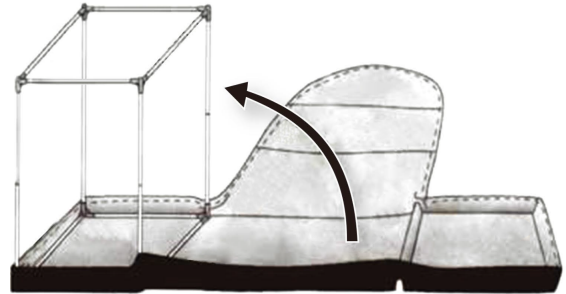


Fig 3

STEP 3

- Place the Floor Mat [10] in the bottom of the tent. (Fig 4)

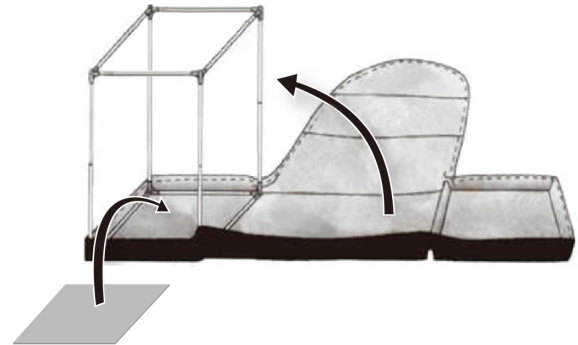


Fig 4

STEP 4

1. Pull the Sauna Tent [6] up and cover the frame as shown. (Fig 5)
2. Zip the zipper from the back to the side. (Fig 5)



Fig 5

INSTALLATION

STEP 5

Install the Connector [11] to Sauna Tent [6] as shown. (Fig 6)



Fig 6

STEP 6

Install the Hose & Steam Head [13] to the Connector [11]. (Fig 7)

IMPORTANT! Hose & Steam Head [13] must be installed before use.



Fig 7

STEP 7

Use the Hose [12] to connect the Connector [11] and the Steam Generator [7]. (Fig 8)



Fig 8

INSTRUCTIONS FOR USE

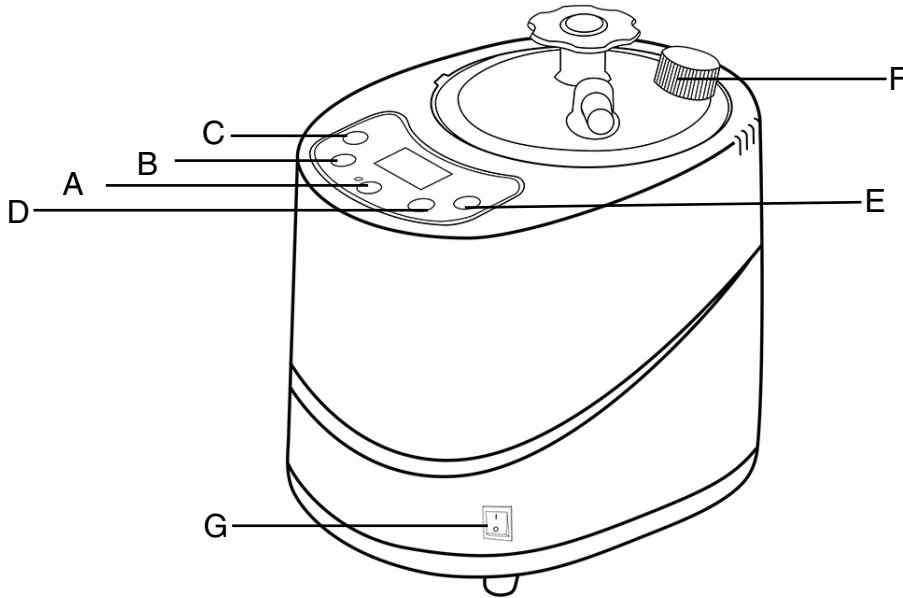


Fig 9

1. Power Button (A or a)
Press this button to switch between standby and operating status.
2. Time Minus Button(B or c)
Press this button to shorten the time.
3. Time Plus Button (C or b)
Press this button to increase the time, the time range is 0-99 minutes.
4. Temperature Down Button (D or d)
Press this button to decrease temperature level.
5. Temperature Up Button (E or e)
Press this button to increase temperature level, the level range is 1-9.
6. Safety valve (F)
If steam pressure is too high, release the pressure automatically.
7. Power Switch (G)
Press this button to turn on/off the machine.

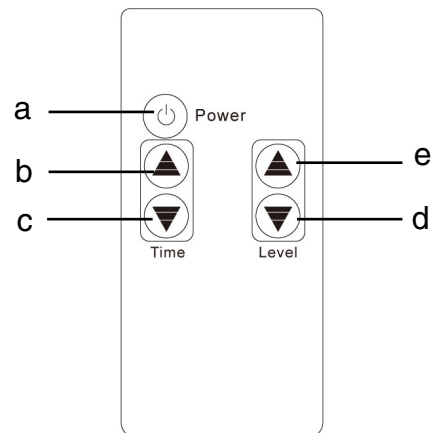


Fig 10

INSTRUCTIONS FOR USE

IMPORTANT!

1. Remove the plastic spacer before using the remote control.
2. Set to the 9th level when you first start the steamer.
3. To quickly produce steam, use hot water rather than cold water.
4. Connecting hose must be installed tightly in place to prevent steam leaking.
5. The plant or floral oils, Chinese herbal medicine cannot be put directly in the steamer, but be put in the steam head. (Fig 11)
6. Keep the inside of steamer clean.
7. Cover the window with a towel to let steam build before entering the sauna.
8. The steamer has a maximum water limit of 2 liters.
9. If the steamer is operated without water, it needs to be cooled for a period of time before it can be used again.
10. Fill the steamer with fresh water up to the watermark line.



Fig 11

TROUBLE SHOOTING

SYMPTOM	POSSIBLE CAUSES	RECOMMENDED ACTIONS
The controller does not respond when you plug in the electrical cord and press the ON/OFF button.	<ol style="list-style-type: none"> 1.Voltage is not correct. 2.Controller broken. 3.Electrical cord is not properly plugged in. 	<ol style="list-style-type: none"> 1.Check the voltage, sauna requires 110~120V. 2.Contact SteamSpa service. 3.Check the electric outlet.
Sauna does not reach set temperature.	<ol style="list-style-type: none"> 1.The tent is not completely enclosed. 2.Room temperature too low. 	<ol style="list-style-type: none"> 1.Check that the zipper of the sauna is fully closed. When the sauna is heating up before it is occupied, cover the neck surround. 2.Move the sauna to a room with higher temperature.
Discomfort occurs when using the product.	Some users are prone to discomfort in high temperature environments.	If you feel unwell, please stop using the sauna. It is recommended to use the product no more than 3 times per week and 30 minutes per day.

SteamSpa

Bringing the Spa to You

