

# STEAMIST®

Tilt-up Bath Seat

Model: SBS-101

## Product Information – SBS-101

**Material:** Teak Wood with Brass Tubular Support Arms

**Dimensions:** 19¼" W x 13" D

**Weight Capacity:** 250 lbs.

**Package Includes:** (1) Seat Assembly, (6) Flat-Head Screws, (6) Plastic Anchors, (2) Wall Brackets, (2) Bracket Covers, (2) Mounting Pins, (4) Pin Caps.

**Product No. - Finishes:**

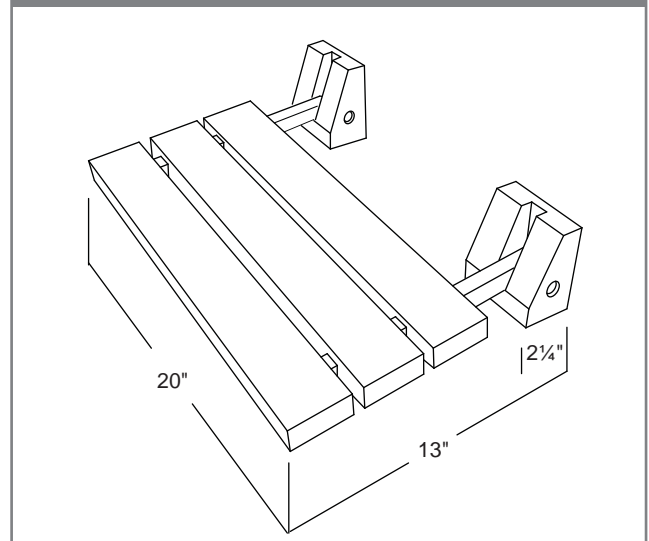
**9101** - Polished Chrome

**9104** - Brushed Nickel

**9105** - Oil Rubbed Bronze

**9106** - Polished Nickel

SBS-101



## Notes

### Installation Notes

Mounts on a) 16" center studs, b) 16" on header or masonry, c) brick or block wall.

Mounting brackets must be anchored to a solid structure.

### Rough-in Notes

Wall brackets to be mounted 17"- 21" from finished floor to center of upper mounting screw holes.