



STEAMIST®

ChromaSense Light Instructions

Model: TSCH

NOTE: This device is not designed to work with the TSC-250.

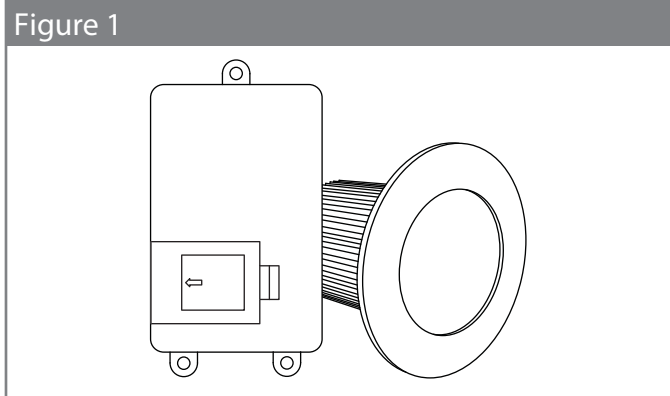
ChromaSense Option:

The ChromaSense Light features a white light for general lighting of the steam shower. The white light, neutral in color, is equivalent to approximately a 50 watt down light. The ChromaSense module may be connected to a non-powered light switch to operate the white light from outside the steam room.

The ChromaSense Light system is designed to work with the Steamist TotalSense TSG generators and with all versions of the TSC Spa Controls. The white light will work independently with just a non-powered light switch but the multicolored ChromaSense Capability can only function with the TSC spa control.

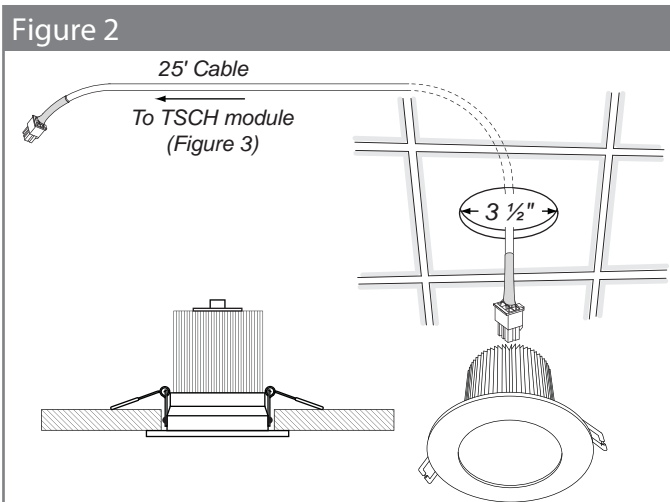
Although a single light should be adequate for most home steam showers it is possible to gang multiple lights/modules together for additional light. To gang multiple lights you will need to connect the two or more light modules via control cable connections. (figure 3)

Once they are joined by the cable, open up the covers to the light boxes. Leave one set to master and set the others to slave. (figure4)



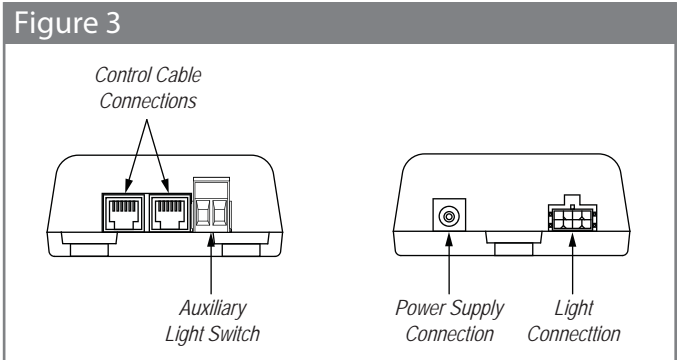
ChromaSense Installation:

1. Select a location in the ceiling for the ChromaSense light



installation and make a 3-1/2" hole for the light in this location (Figure 2).

2. Select a location to mount the TSCH module. The TSCH module requires a 120V outlet nearby to power the light.
3. Route the light cable (25' provided) from the TSCH module to the hole for the light. Plug the cable into the TSCH module. Plug the other end into the light and mount the light into the ceiling, by folding the spring clips back while inserting it into the mounting hole.



4. (Optional) Connect the auxiliary light switch terminals on the TSCH module to a non-powered light switch located outside the steam shower. This switch must not be connected to power and the switch must be in a separate box from any other light switches. For this connection, use any suitable low voltage wire 18-24 gauge (Customer supplied)(Figure 6).
5. Connect the control cable (35' provided) to the rest of the Total Sense system.
6. Connect the 12 volt power supply to the TSCH module and plug when the rest of the system has been installed.
7. After everything is fully tested apply silicone (provided) around the fixture to seal it.

Diagnostics Lights (Figure 4):

1. The Red power LED will be lit whenever the power adapter is plugged into the wall.
2. The green LED 2 will flash when it is communicating to the TSC Spa Control.
3. LED 3 is not used.

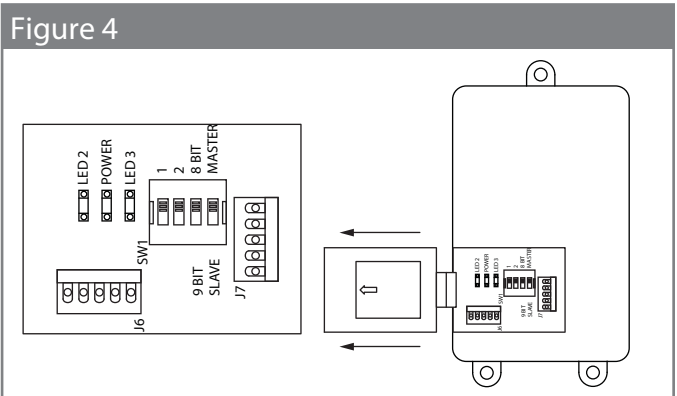
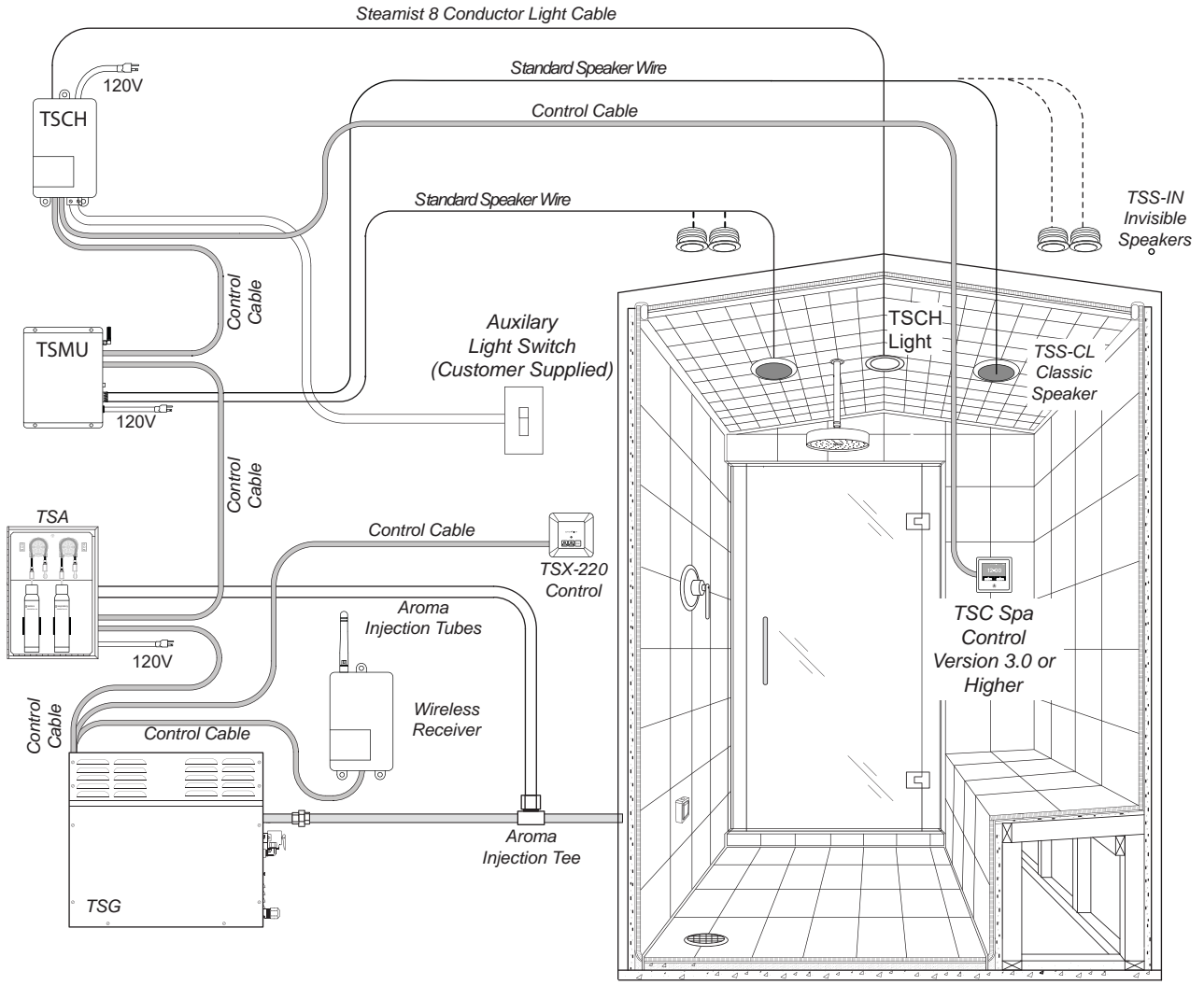


Figure 5 - Wiring Diagram

Models: TSCH



Shown with other Spa Options

Figure 6 - Auxiliary Light Connection (Optional)

Non-powered low voltage wires (Customer supplied)

