



STEAMIST®

AudioSense Option

Model: TSMU

IMPORTANT: The AudioSense option is designed to work with the Steamist Total Sense TSG generators and TSC spa control.

NOTE: This option will not work with the TSC-250 control

Control Module Installation

- 1) Select a location for mounting the TSMU control module in a utility area or closet. The AudioSense has audio input jacks on the side of the module that should be conveniently accessible to plug in additional audio inputs. Do not install any part of this assembly in a wall.
- 2) Secure to the wall with screws.
- 3) Make sure a 120 volt outlet is located next to the module mounting location. Plug the power cord after all connections are complete.
- 4) Route the control cable from the module location to the TSG generator, TSCH, or optional TSA. The manners in which the cables are routed are dependent on what is best suited for the installation. There are multiple connection jacks in TSG generator(s) and two in the TSA, and two in the TSCH, and two on this module allowing for gangable connections in the most convenient arrangement (See figure 3 for the system wiring diagram).
- 5) The AudioSense option requires speakers which are purchased separately. Refer to the wiring diagram on figure 3 for connecting the speakers to the control module.

Indicator Lights / Troubleshooting

1. **Green Light: Power Light.** This along with the blue and yellow light will flash momentarily when the power is first plugged in. This flash indicates the microprocessor is functioning and is a test for the lights.
2. **Yellow Light: Communication Light.** This light is an indicator that the AudioSense system is not communicating with the control. After the initial power up the light will continue to flash until communication is established with the TSC-450 control. To establish communication, power to the TSC-450 must be turned on or if power is already on go to the TSC-450 control and start a steam or shower cycle for a few seconds. This will make the TSC-450 look for the audio system and establish communication. When the AudioSense module is communicating with the TSC-450 this light will be off.
3. **Blue Light: Bluetooth light.** This light will be on steady when the Bluetooth signal is broadcasting and not paired with a device. When it is paired it will flash and when it is off it means that Bluetooth is turned off in the TSC-450 settings.

Figure 1 - Side View

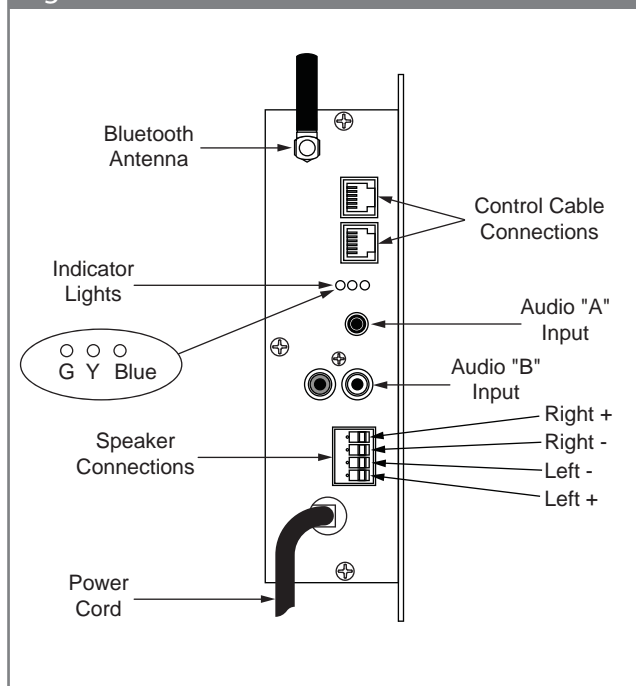
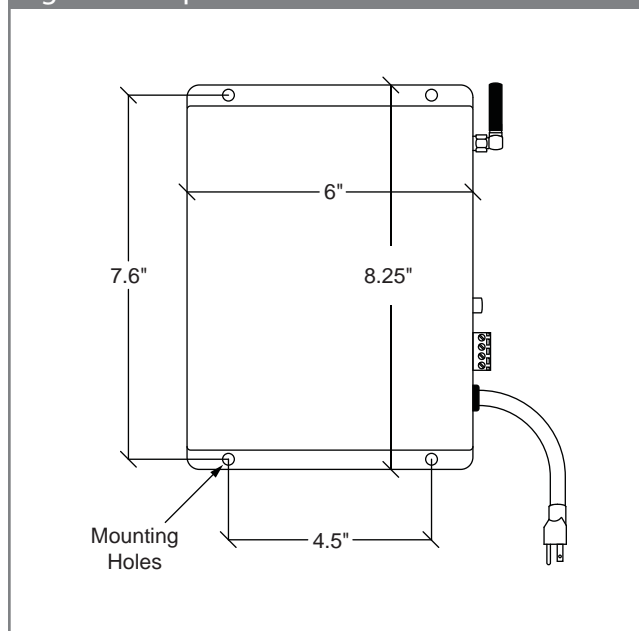


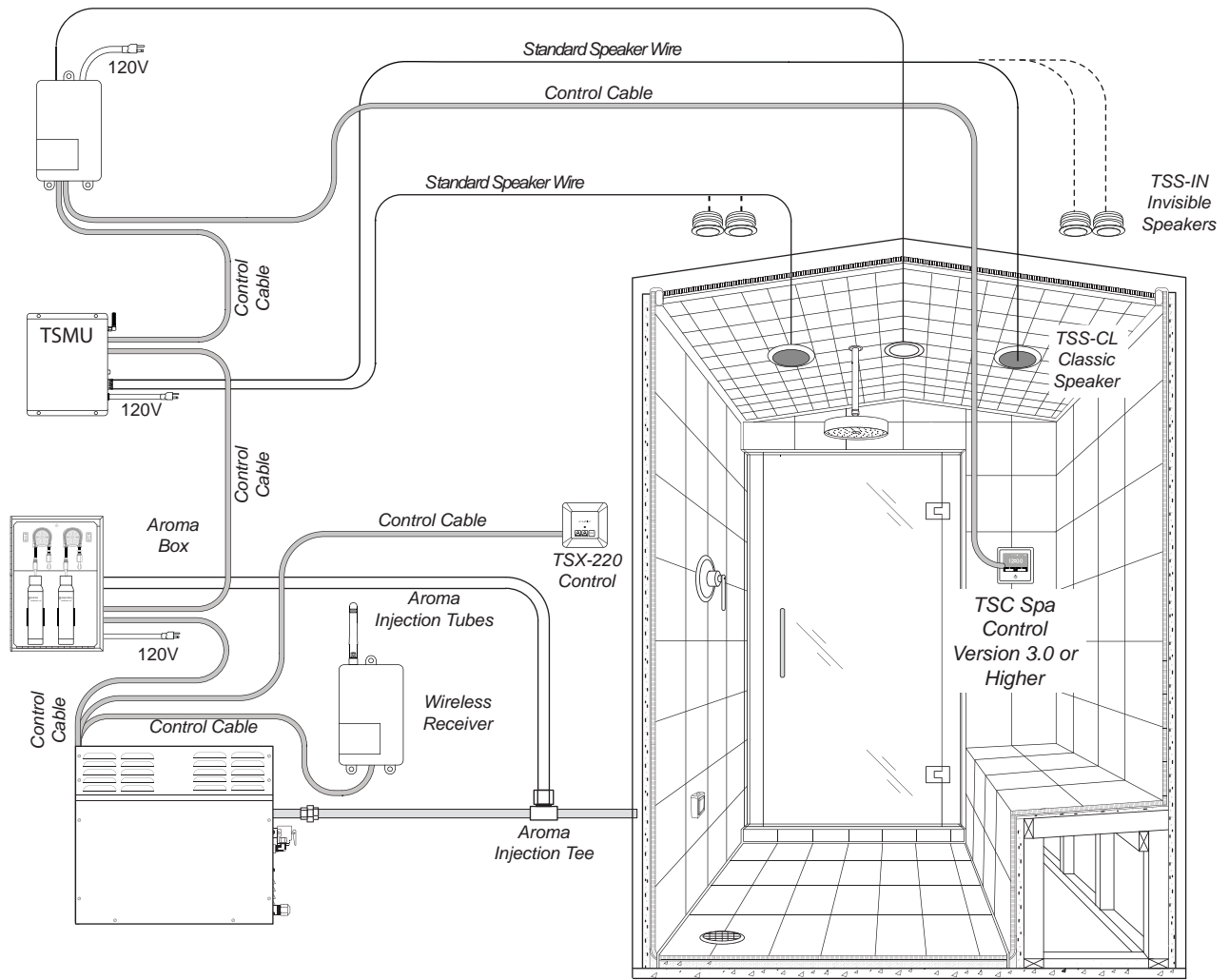
Figure 2 - Top View



For operating instructions see the TSC-450 operating instructions Pub. No. 300

Figure 3

Model: TSMU



Shown with other Spa Options

Specifications:

Voltage: 120V - 240V 50/60 hz

Wattage: 70 Watts Max

Speakers: 4-8 Ohms

Audio Inputs: Bluetooth, Music A (3.5mm Jack), Music B (RCA Jacks)