

# STEAMIST®

## Steam Generator

Models: TSG-12 and TSG-15

### Features

Limited Lifetime warranty - 2-year in home labor warranty where available

Selectable "Instamist"

Proportional Steam

Steady Steam

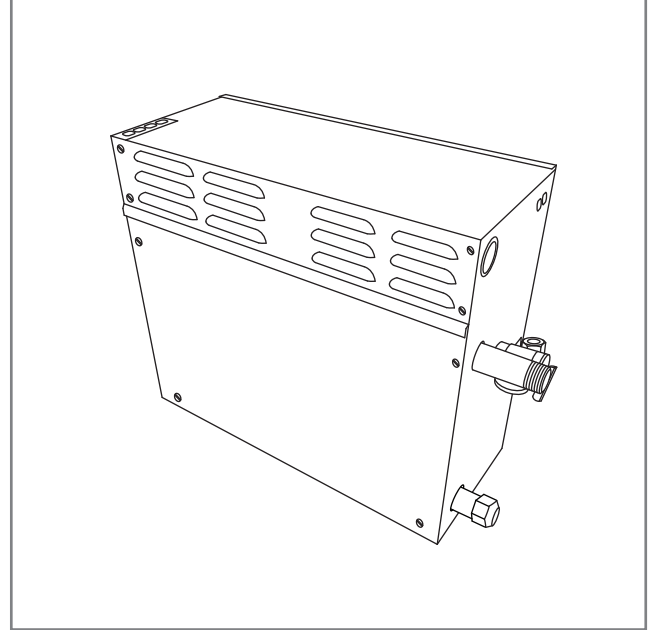
"Gangable" up to (4) generators

Microprocessor based diagnostics and LED indication

Stainless Steel Tank Construction

Intelligent control communication

UL/CUL Listed



## Steam Generator Specification Chart

Product Number	KW Rating	*Max. Cu. Ft. Range	Volts/Phase/ Max. Amps	Line Fuse	Dimensions L x W x H
TSG-12 TSG-12-208 TSG-12-208/3	12	550	240/1/50 208/1/58 208/3/33	60 70 40	17¾" x 7½" x 15½"
TSG-15 TSG-15-208 TSG-15-208/3	15	675	240/1/63 208/1/72 208/3/42	80 90 50	17¾" x 7½" x 15½"

\* Refer to sizing guidelines to accurately determine the proper size generator for the installation.  
90°C copper wire is required for generator connection. Installation shall be in accordance with NEC and local electrical codes.

### Required Equipment

TSC Control

### Required Electrical Service

Dedicated circuit required: See Specification Chart for proper electrical requirements

### Product Information

Water Supply - ¾" Compression Fitting, 120 PSI Max

Steam Outlet - ¾" Brass NPT male thread

Pressure Relief Valve - ¾" NPT female thread

Drain Outlet - Capped ½" Brass NPT male thread

Supplied with a 35' control cable

### Generator

Weight - 41 lbs.

### Installation Notes

For optimum performance, the steam generator should be mounted as close as possible to the steam room. If needed, the steam pipe may be up to 50' long.

Steam Generators should be accessible for service.

Do NOT install near flammable material such as paints, thinners, gasoline, etc.

Steam generators must NOT be installed outdoors, in moist, humid areas, in areas prone to freezing, or extreme heat such as an unventilated attic. To do so will void the warranty.

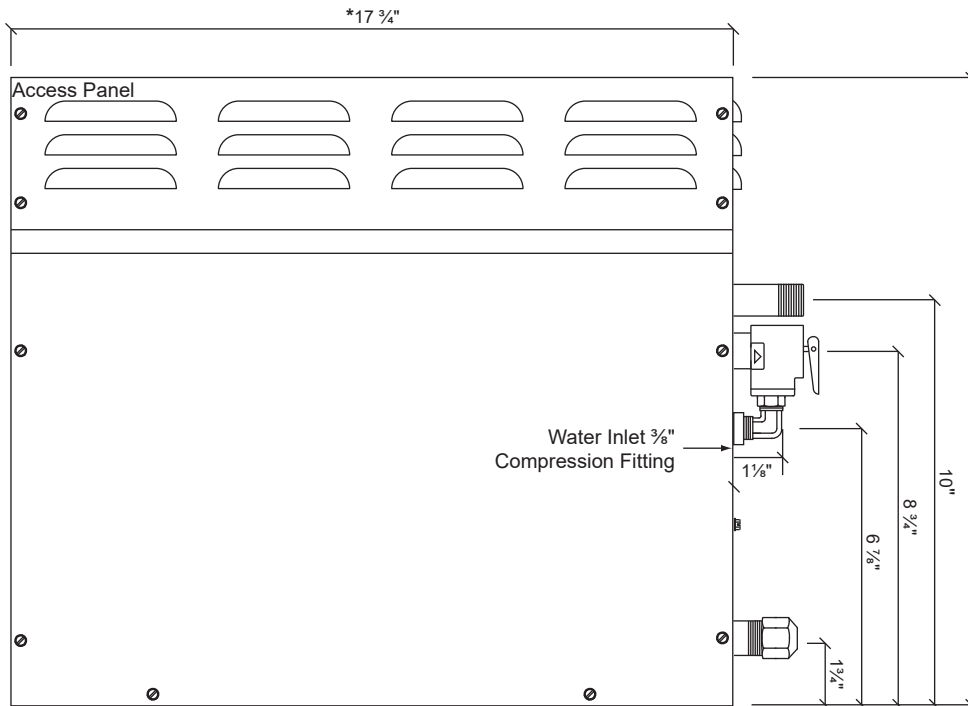
Steamhead to be mounted 12" to 18" above floor or 6" above rim of tub and as far from the seating area as possible.

### Service Access

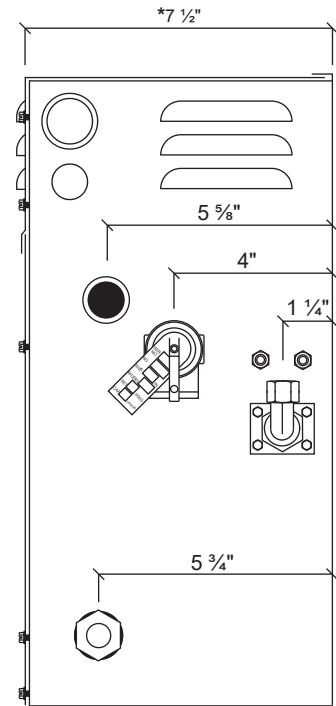
Minimum: 28" W x 18" D x 22" H (35" W with Auto Drain)

Dimensional Drawing

Models: TSG-12 and TSG-15

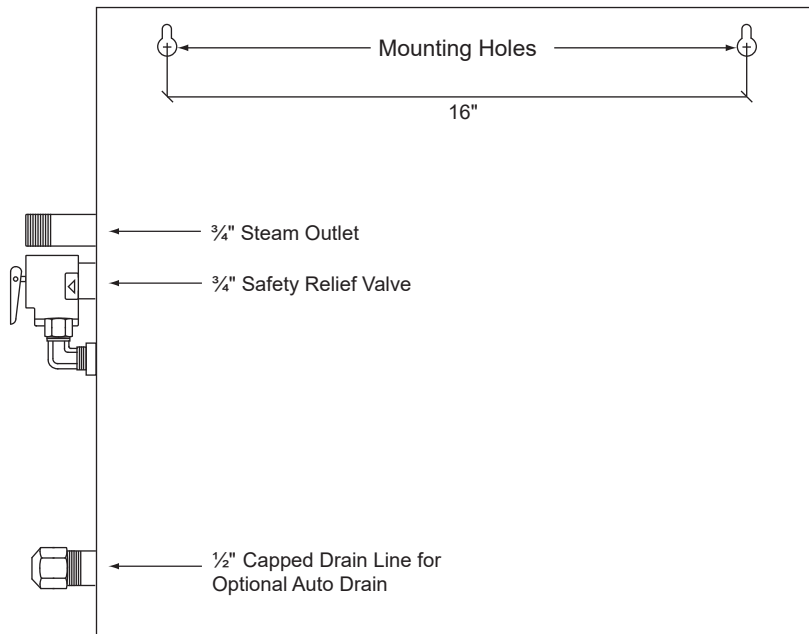


Front Access

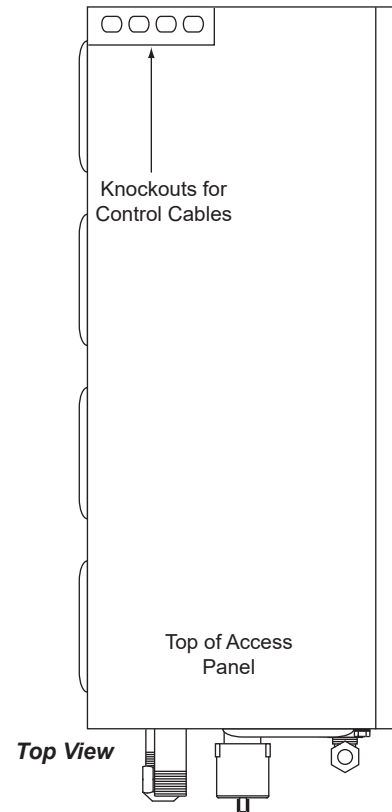


Front Side View

\* Add  $\frac{1}{4}"$  to the dimension for the louvers



Back View



Top View

# STEAMIST®

## Steambath Control

Model: TSC-550

### Product Information – TSC-550 with WiFi

2 years parts warranty

Finger-light touchscreen operation

Multiple user settings

Programmable Time and Temperature.

Temperature range 50°F min to 125°F max.

Time up to 60 minutes.

Built-in WiFi capabilities.

Operates AromaSense, AudioSense (streaming over WiFi), ChromaSense and ShowerSense options.



mySteamist

### Dimensions:

Product# 550 and SH-550: 6 1/4" x 4 1/8" x 1/4"

Product# 550M and SH-550M: 5 3/4" x 3 5/8" x 1/4"

**Package Includes:** Control, 6-Pin Coupler, Steamhead, Silicone Sealant, Installation and Operating Instructions.

### Required Electrical Service:

Low-voltage connection from TSG or SMP generator via multi-conductor cable (supplied with generator).

## Total Sense Touch Control

Portrait mode



Landscape mode



Landscape mode



550M Modern design

550 Transitional design

**IMPORTANT:** Control may be installed in a Portrait or Landscape orientation. Please note the "TOP" of control prior to mounting.

## Notes

### Installation Notes:

Surface Mount - 2 3/4" hole required.

Must mount inside the steam room.

Steamist recommends that the multi-conductor cable be run through 3/4" conduit to protect cable from damage and to facilitate easy replacement.

Mount control near seating area and not above Steamhead.

### Rough-in Notes:

550 and 550M should be mounted 4' above the floor.

SH-550 and SH-550M should be mounted 4 1/2' above the floor.

Steamhead to be mounted 12" to 18" above the finished floor or 6" above the rim of the tub and as far from the seating area as possible.

### Product No. - Finishes:

Transitional

550-PC - Polished Chrome

550-PN - Polished Nickel

550-BN - Brushed Nickel

550-BB - Brushed Bronze

550-PG - Polished 24K Gold

550-ORB - Oil-Rubbed Bronze

Modern

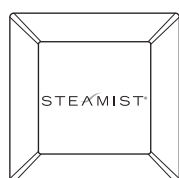
550M-PC - Polished Chrome - (with White or Black overlay)

550M-PN - Polished Nickel - (with White or Black overlay)

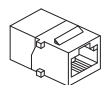
550M-BN - Brushed Nickel - (with White or Black overlay)

**NOTE:** For TSSH (Digital Shower Valve) control only, add "SH" in front of the product number.

## Package Contents



\*Steamhead



6-Pin Coupler

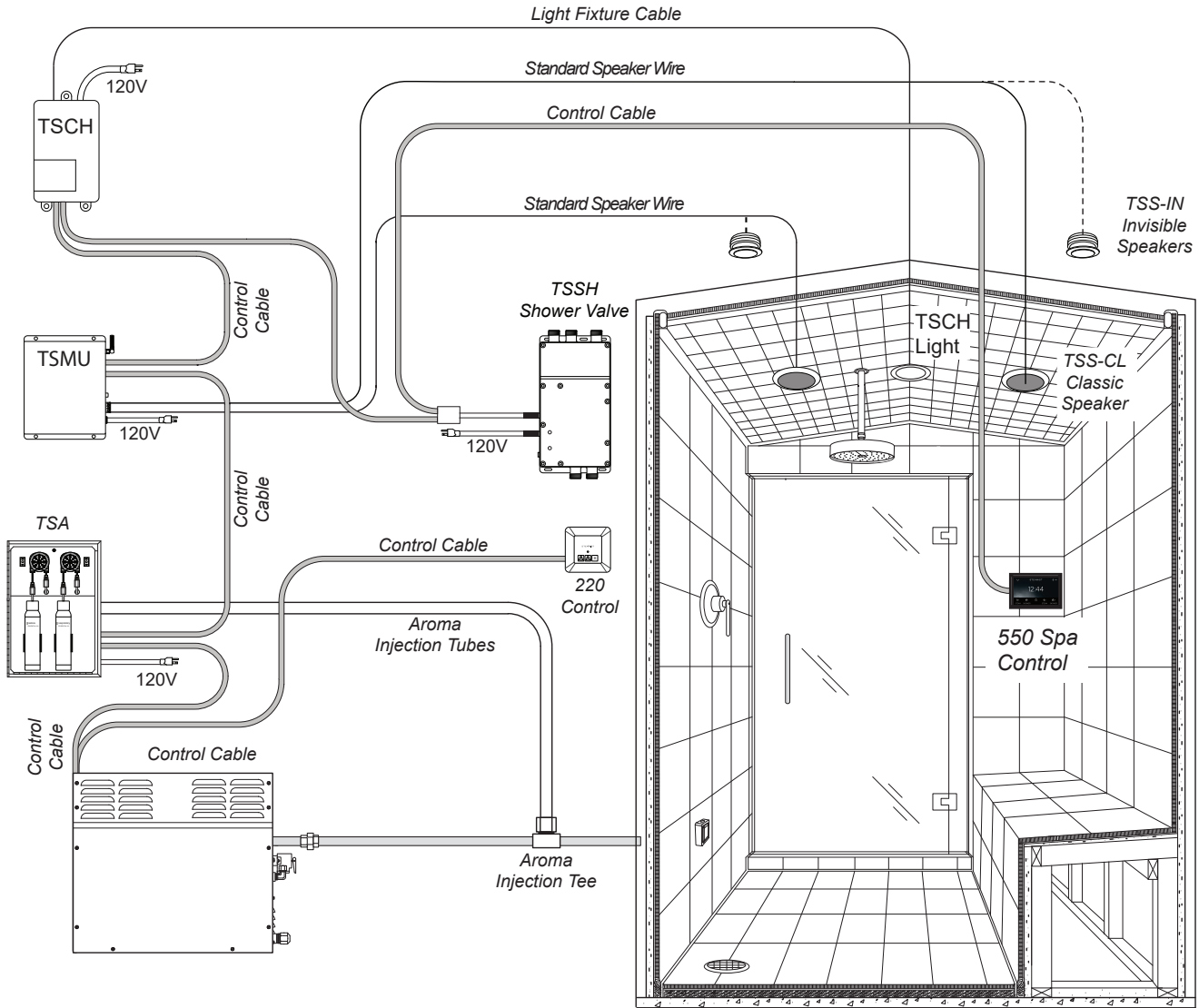


Silicone Sealant

\*Transitional Steamhead shown, the 550M (Modern) control will be supplied with a Modern style Steamhead

Wiring Layout with Spa Options

Model: TSC-550



Generator Pan and Auto Drain Model: GPAD-240 and GPAD-208

## Specifications – GPAD-240 and GPAD-208

**Product Information:**

**GPAD-240** includes: GENPAN and AD-240  
To be used with 240Volt steam generators  
**GPAD-208** includes: GENPAN and AD-208  
To be used with 240Volt steam generators

**Application Information:**

For use with only the following model steam generators:  
TSG-7, TSG-10, TSG-12, and TSG-15.  
SMP-5, SMP-7, SMP-10, SMP-12 and SMP-15.

Generator Pan (only) Model: GENPAN

## Specifications – GENPAN

**Product Information:**

Material: High-temp impact-resistant resin.  
Includes: Pan with 3/4" MGHT male threaded NPT and 1/2" NPT Female brass connection.  
Dimensions: 11"W x 24"L x 2"H

**Product No. - Description:**

**GENPAN** - To be used with residential steam generator models listed above.

Auto Drain (only) Model: AD-240 and AD-208

## Specifications – AD-240 and AD-208

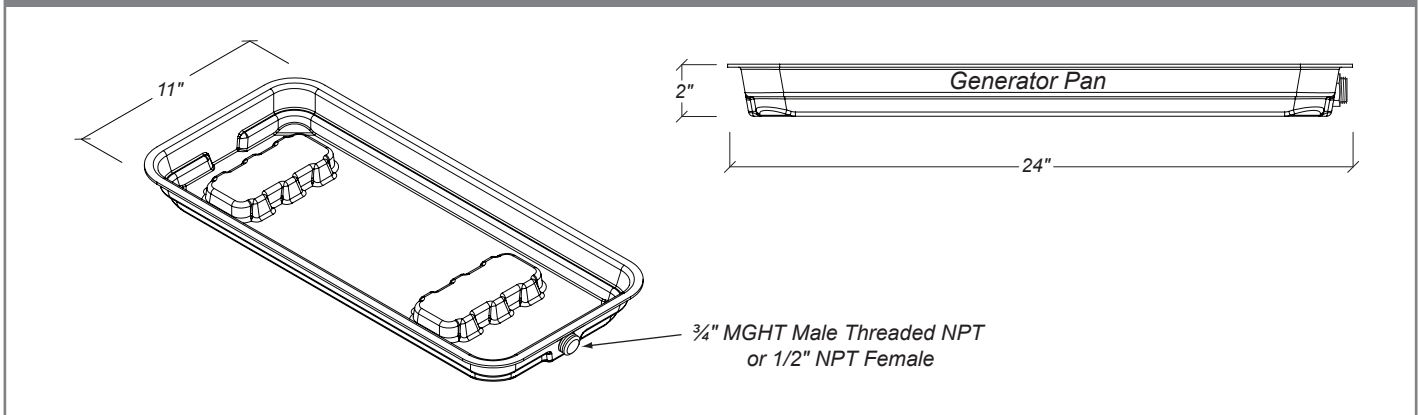
**Electrical Information:** Connects to a factory installed Auto Drain PCB terminal block, located inside the Generator cabinet.

**Product Information:** Normally Closed (N/C).  
Inlet & Outlet - 1/2" NPT Brass female thread.

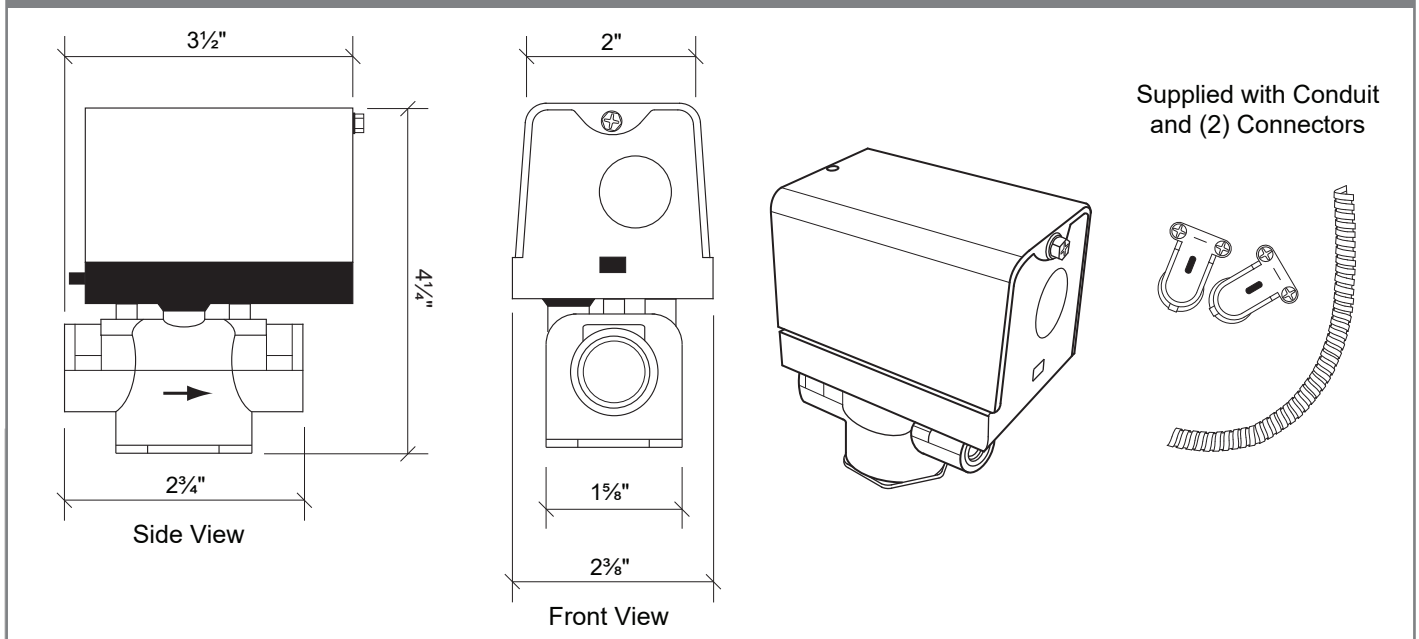
**Product No. - Description:**

**AD-240** - To be used with 240Volt steam generators  
**AD-208** - To be used with 208Volt steam generators

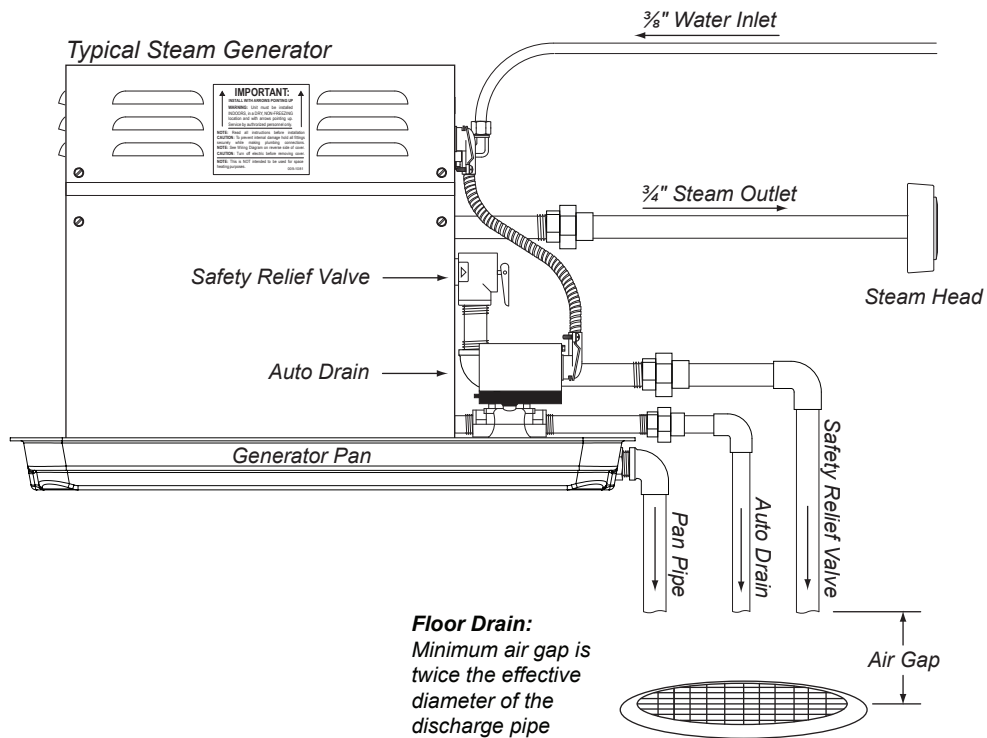
Generator Pan Dimensions Model: GENPAN



Auto Drain Dimensions Model: AD-240 and AD-208



## Typical Installation

**Installation Notes:**

Auto Drain valve should be installed with arrow on cover pointing away from Generator. Pipe the Auto Drain outlet to empty into indirect waste or as local codes apply. Outlet must have a minimum air gap of twice the diameter of the Auto Drain pipe.

Generator Pan outlet to empty into indirect waste or as local codes apply.

Do NOT drain the Auto Drain valve directly into the Generator Pan.

Do NOT connect both drain pipes together, both outlets must be kept separately from each other.