

STEAMIST®

Steam Generator

Models: SMP-5, SMP-7 and SMP-10

Features

Limited lifetime warranty - 2-year in home labor warranty where available

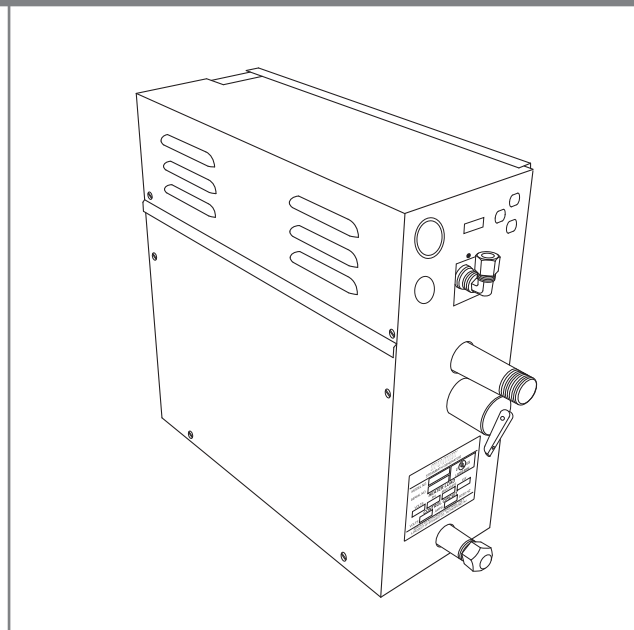
Proportional Steam

Microprocessor based diagnostics and LED indication

Stainless Steel Tank Construction

Intelligent control communication

UL/CUL Listed



Steam Generator Specification Chart

Models: SMP-5, SMP-7 and SMP-10

Product Number	KW Rating	Max. Cu. Ft. Range*	Volts/Phase/Max. Amps	Line Fuse	Dimensions L x W x H
SMP-5	5	100	240/1/21	30	15" x 6" x 15.5"
SMP-5-208			208/1/24	30	
SMP-7	7.5	250	240/1/31	40	
SMP-7-208			208/1/36	50	
SMP-10	10	450	240/1/42	50	
SMP-10-208			208/1/48	60	

* Refer to sizing guidelines to accurately determine the proper size generator for the installation. 90°C copper wire is required for generator connection. Installation shall be in accordance with NEC and local electrical codes.

Required Equipment

TSC Control

Required Electrical Service

Dedicated circuit required: See Specification Chart for proper electrical requirements

Product Information

Water Supply - 3/8" Compression Fitting, 120 PSI Max

Steam Outlet - 3/4" Brass NPT male thread

Pressure Relief Valve - 3/4" NPT female thread

Drain Outlet - Capped 1/2" Brass NPT male thread

Supplied with a 35' control cable

Generator

Weight - 30 lbs.

Installation Notes

For optimum performance, the steam generator should be mounted as close as possible to the steam room. If needed, the steam pipe may be up to 50' long.

Steam Generators should be accessible for service.

Do NOT install near flammable material such as paints, thinners, gasoline, etc.

Steam generators must NOT be installed outdoors, in moist, humid areas, in areas prone to freezing, or extreme heat such as an unventilated attic. To do so will void the warranty.

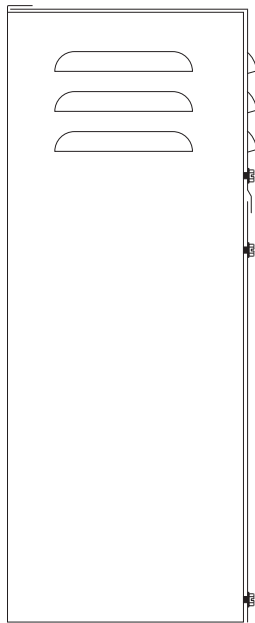
Steamhead to be mounted 12" to 18" above floor or 6" above rim of tub and as far from the seating area as possible.

Service Access

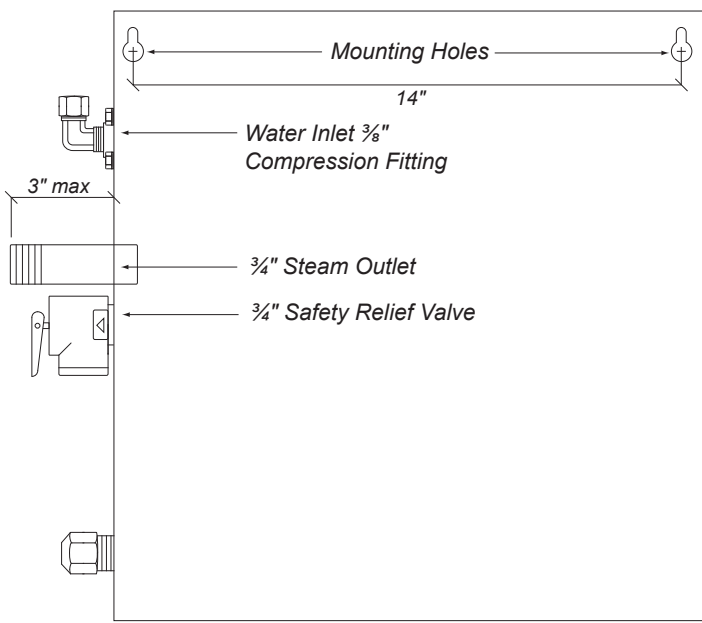
Minimum: 21" W x 18" D x 22" H (28" W with Auto Drain)

Dimensional Drawing

Models: SMP-5, SMP-7 and SMP-10



Rear Side View

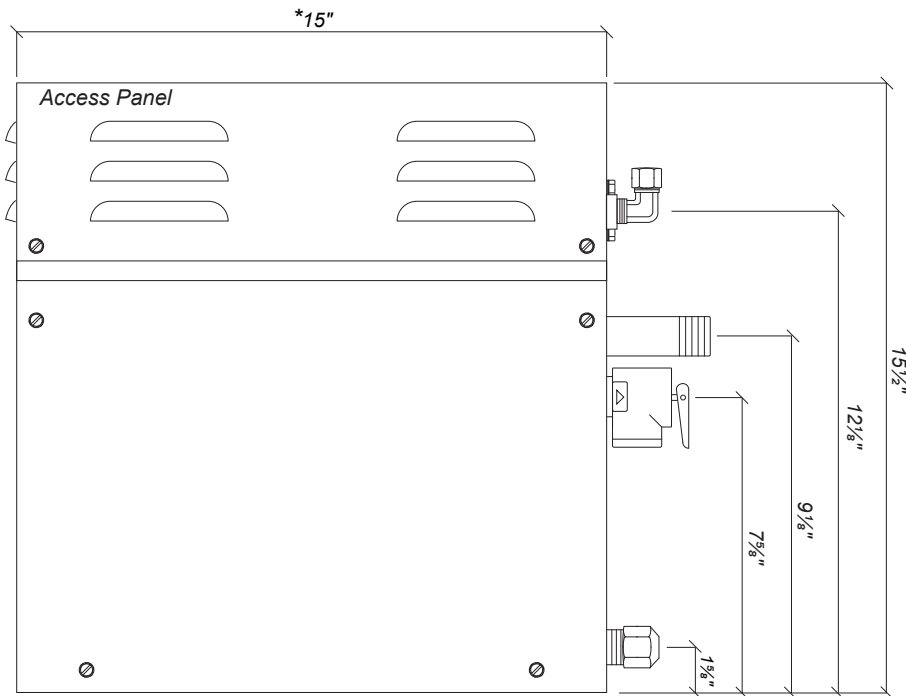


Back View

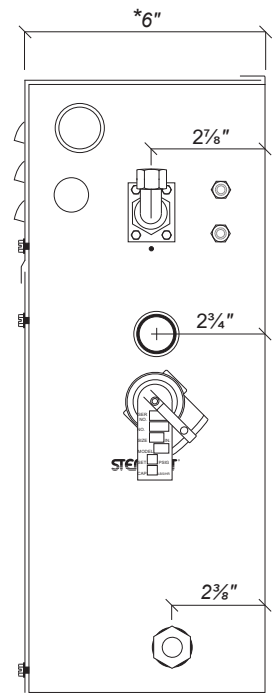


Top View

*Add $\frac{1}{4}$ " to the dimension for the louvers



Front Access



Front Side View

STEAMIST®

Steambath Control

Model: TSC-250 and TSC-250R

Product Information – TSC-250 and TSC-250R

- 2 years parts warranty
- Programmable Time and Temperature.
- Temperature range 60°F min to 125°F max.
- Time up to 60 minutes.
- Does NOT operate AromaSense, AudioSense, ChromaSense and ShowerSense options.
- Digital display of ambient, set temperature, and elapsed time.
- 2 User profiles
- Selectable InstaMist (when used with TSG generators)

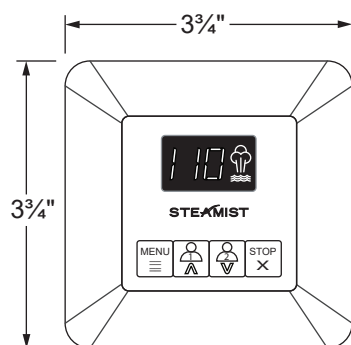
Dimensions: TSC-250 = 3¾" x 3¾", TSC-250R = 4" round

Package Includes: Control, 6-Pin Coupler, Steamhead, Silicone Sealant, Installation and Operating Instructions.

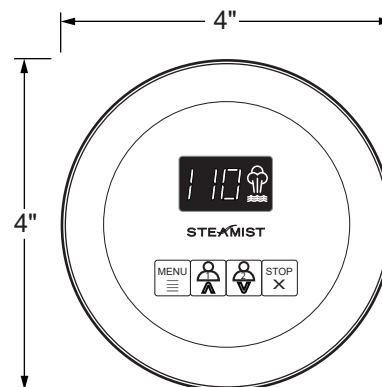
Required Electrical Service:

Low-voltage connection from TSG or SMP steam generator via multi-conductor cable (supplied with steam generator).

TSC-250



TSC-250R - Round



Notes

Installation Notes:

Surface Mount - 1½" hole required.

Mounts inside the steam room.

Steamist recommends that the multi-conductor cable be run through ¾" conduit to protect cable from damage and to facilitate easy replacement.

Mount control near seating area and not above steamhead.

Rough-in Notes:

Control should be mounted 48" above the floor.

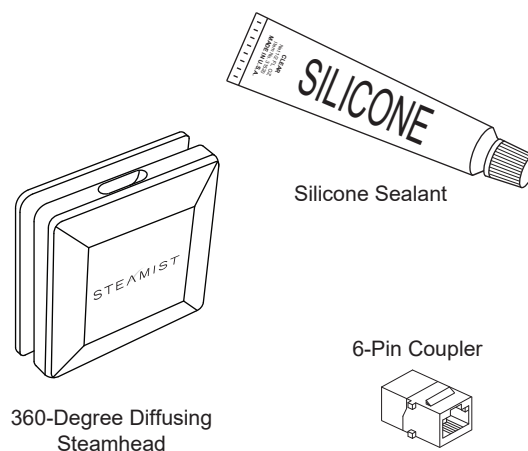
Steamhead to be mounted 12" to 18" above the finished floor or 6" above the rim of the tub and as far from the seating area as possible.

Product No. - Finishes:

PC - Polished Chrome
 PN - Polished Nickel
 BN - Brushed Nickel

PB - Polished Brass
 ORB - Oil-Rubbed Bronze

Package Contents



(TSC-250R ships with a Round Steamhead)