

Steambath Generator

Models: SMP-5, SMP-7, SMP-10, SMP-12 and SMP-15



Important: Locate Publication No. 199 "Steam Bath Important Safety Instructions". This publication includes a Warning label that the contractor must install on the wall near the entrance to the steam room in a highly visible location. This label and its additional safety information are packaged with the generator in the envelope containing the installation instructions. If it is lost or missing contact Steamist (201-933-0700) for a replacement Publication No. 199. This publication along with all documents must be left with the owner.

The Steamist "SMP" Generator comes factory assembled, carefully wired and tested.

WARNING: All electrical power should be turned OFF when working with Steam Generator.

IMPORTANT: The Plumbing Installation must conform to local and national codes.

1. Pre-Installation

- a) Be sure that the proper size Steam Generator has been selected by using the sizing page in the "Full Line Brochure," "Pricing Guide," "The Generator Sizing Guide," "Architectural Guidelines," or in the Residential Systems/Steambath Product Information section of the Steamist website - www.steamist.com.

CAUTION: An improperly sized Steam Generator may NOT produce the amount of steam necessary to reach selected temperature.

- b) For optimum performance, the Steam Generator should be located as close as possible to the Steamroom, Shower or tub enclosure using a 3/4" copper pipe (1/2" copper pipe is also acceptable, but not preferred). If the steam pipe exceeds ten feet, it should be insulated using appropriate pipe insulation rated for a minimum of 212° F. Maximum steam pipe distance should not exceed a total of fifty linear feet. Refer to Installation Suggestions on page 4.

CAUTION: Do NOT install near flammable material such as paints, thinners, gasoline, etc.

CAUTION: Steam generators must NOT be installed outdoors, in moist, humid areas, in areas prone to freezing, or extreme heat such as an unventilated attic. To do so will void the warranty.

- c) The steam line and safety valve reach a temperature of 212°F during operation and should be appropriately protected to prevent personal injury by accidental contact.

2. Plumbing Rough-in

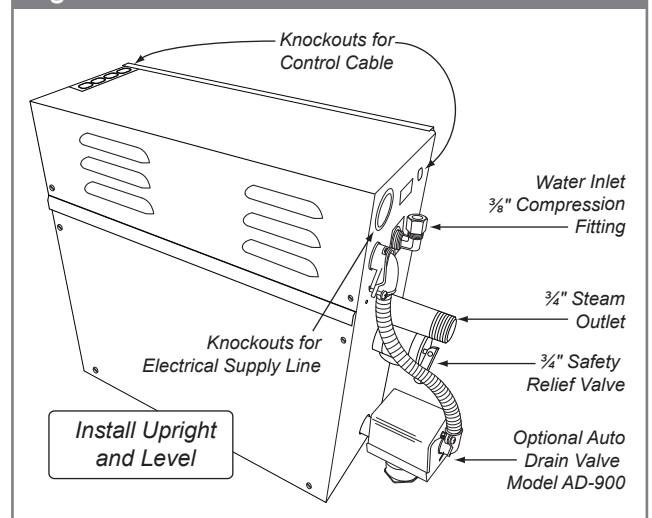
Plumbing rough-in is required for the water supply and steam line; this should be completed before the walls are closed. For operation, the "SMP" Steam Generator requires a 3/8" O.D. copper tubing to the fitting on the generator for water inlet and a 3/4" copper or brass pipe for steam outlet.

NOTE: Safety Valve should be connected to a minimum 3/4" indirect waste or as required by local plumbing codes. In the unlikely event this valve should open, the discharge must be directed to prevent damage to the home.

- a) **Water Inlet** - Rough in a water line, 120 PSI max, to the hot or cold supply. A shut off valve with a 3/8" connection to the steam generator is to be provided at the generator location (see Figure 4 on page 3).
- b) **Steam Outlet** - Rough in the steam line using a 3/4" copper or brass pipe; do NOT use black iron or galvanized pipe; it will rust and discolor the wall of the steambath. Do NOT use any plastic type pipe or fittings. The steamhead location should be 12" to 18" above the shower floor or 6" above the rim of the bathtub, as far from the seating area as possible.

CAUTION: No shutoff valve can be installed in the steam line. Do NOT create traps or valleys in this line which would trap condensation and block the flow of steam. The steam pipe should be pitched allowing condensation to run back toward the Steam Generator (preferred), or toward the steamhead.

Figure 1 - Steam Generator



IMPORTANT: The warranty of this product is voided if it is used in a commercial application or for anything other than a residential steambath installation.

Installation Instructions

Models: SMP-5, SMP-7, SMP-10, SMP12 and SMP-15

3. Steam Generator Installation

The Steam Generator should be mounted in a location convenient for hook-up and service by the plumber and electrician.

CAUTION: The Steam Generator is designed to be used ONLY in an upright and level position; to do otherwise would damage the unit and void the warranty.

- a) The Steam Generator can be mounted to a wall or set on the floor. However, the unit must be secured. To secure the unit to a vertical wall, loosen the two screws holding the electrical access cover, remove cover (see Figure 1). Located inside the cabinet near the top left and right corners are mounting holes. Place top cover back and secure.

- b) Connect the 3/8" water inlet to a shut off valve as described in Section 2.a. The valve must be kept in an open position during normal operation. In an area where water hammer is a problem install a water hammer arrestor in the line. Refer to Figure 2.

IMPORTANT: Do NOT use a "saddle valve" or piercing type valve for water connection.

- c) Connect the steam line from rough-in location described in Section 2 to the 3/4" nipple on the Steam Generator using a union.

4. Optional Auto Drain

If an Optional AutoDrain Valve (Model# AD-900) is installed, please make sure to release the metal lever, to allow the valve to close, while product is in use, see Pub# 270.

Figure 2 - Plumbing Diagram

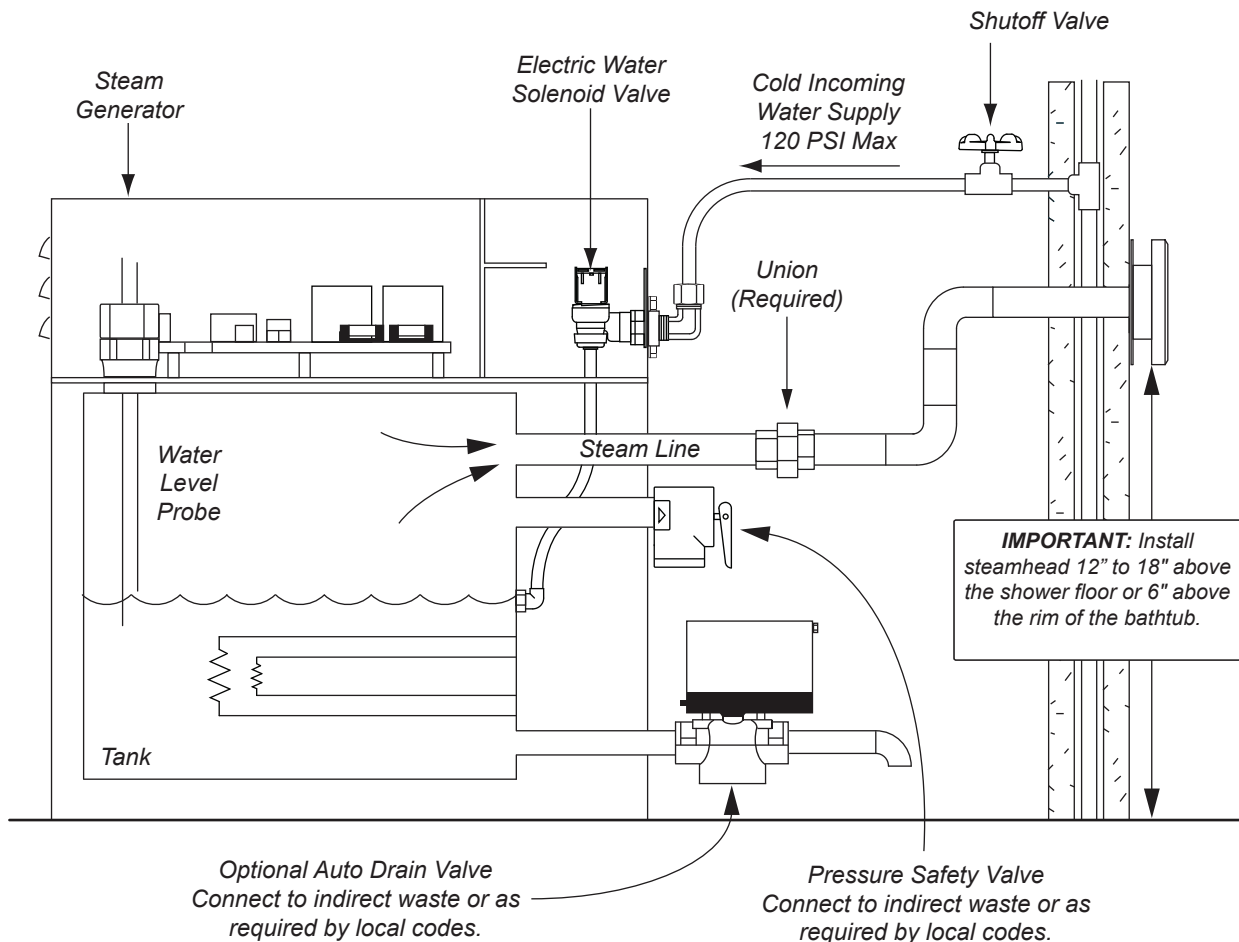
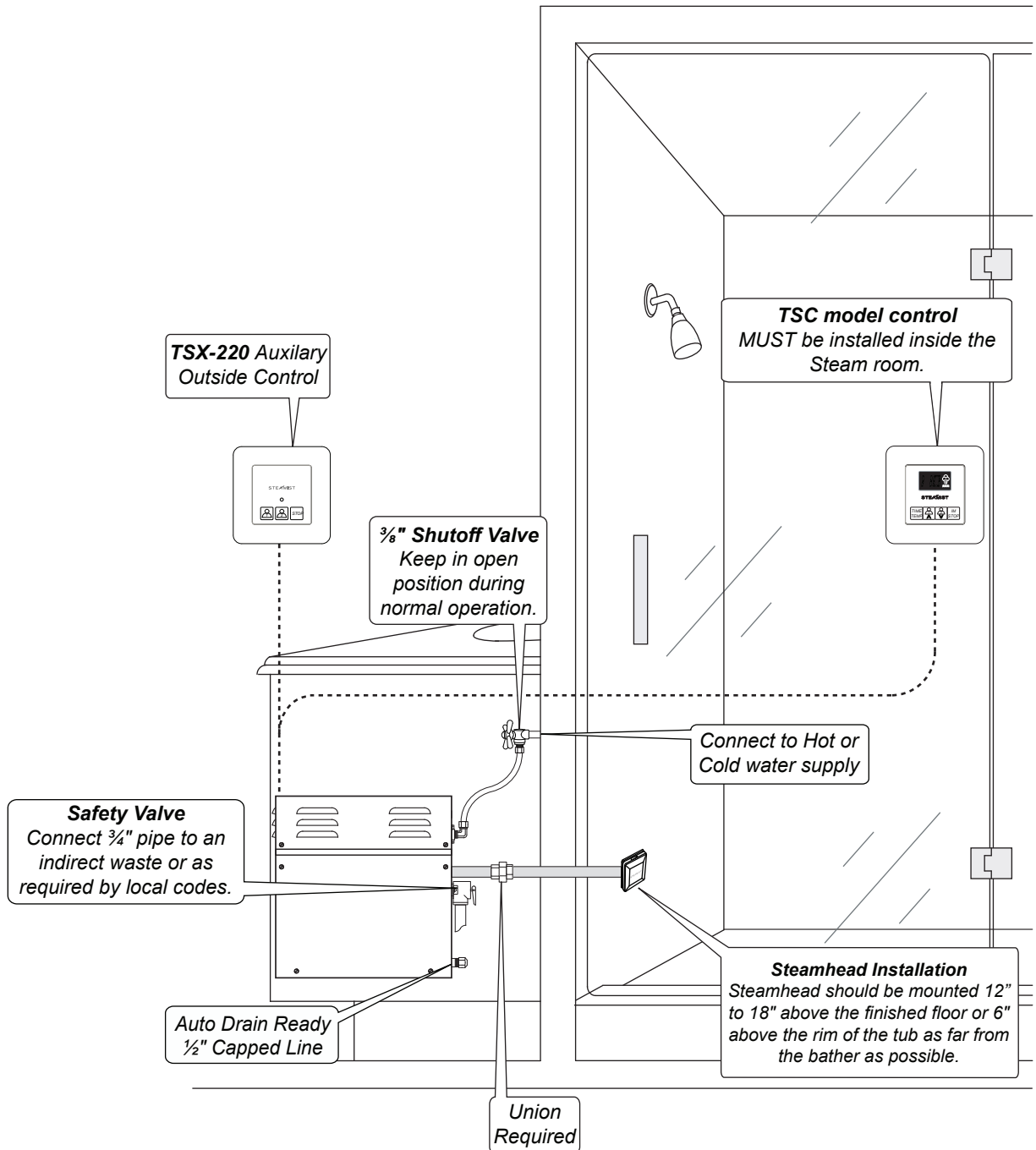


Figure 4 - Typical Installation

Models: SMP-5, SMP-7, SMP-10, SM-12 and SMP-15

The Plumbing Instructions must be given to the homeowner for future use.



Steam Outlet Pipe - Use a 3/4" Copper or Brass pipe.

CAUTION: Do NOT install a shutoff valve on the steam outlet pipe. Do NOT create traps or valleys in this line which would prevent the flow of steam. The steam outlet pipe should be pitched toward the Steam Generator (preferred), allowing condensation to run back into the Steam Generator or toward the steamhead. If the steam pipe exceeds ten feet, use an appropriate pipe insulation rated for a minimum of 212°F.

Access Requirements

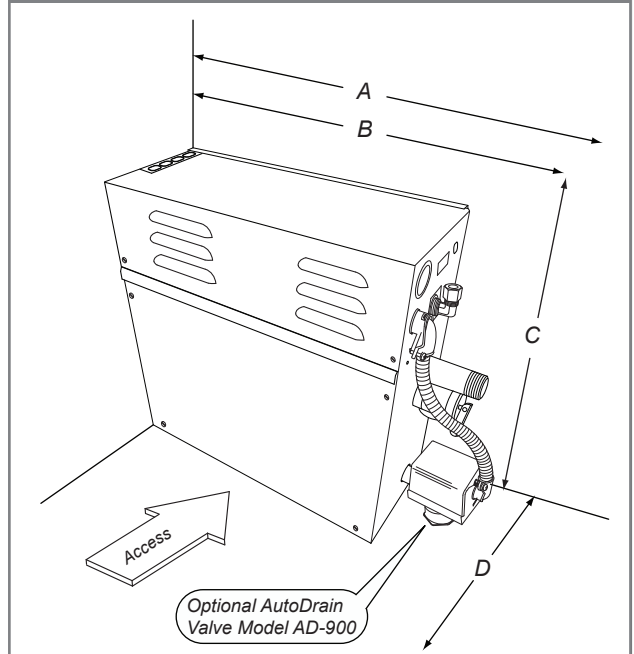
Models: SMP-5, SMP-7, SMP-10, SMP-12 and SMP-15

Select a location for mounting the Steam Generator that is accessible for installation and service. The access requirement indicates the minimum space for convenient access to Steam Generator.

CAUTION: All models must be installed INDOORS, in a DRY, NON-FREEZING location away from flammable materials such as: Gasoline, Paints, Thinners, Etc.

IMPORTANT: Steam Generator must be installed upright and level. The serial number info should be visible and the Steam Generator should be accessible for service.

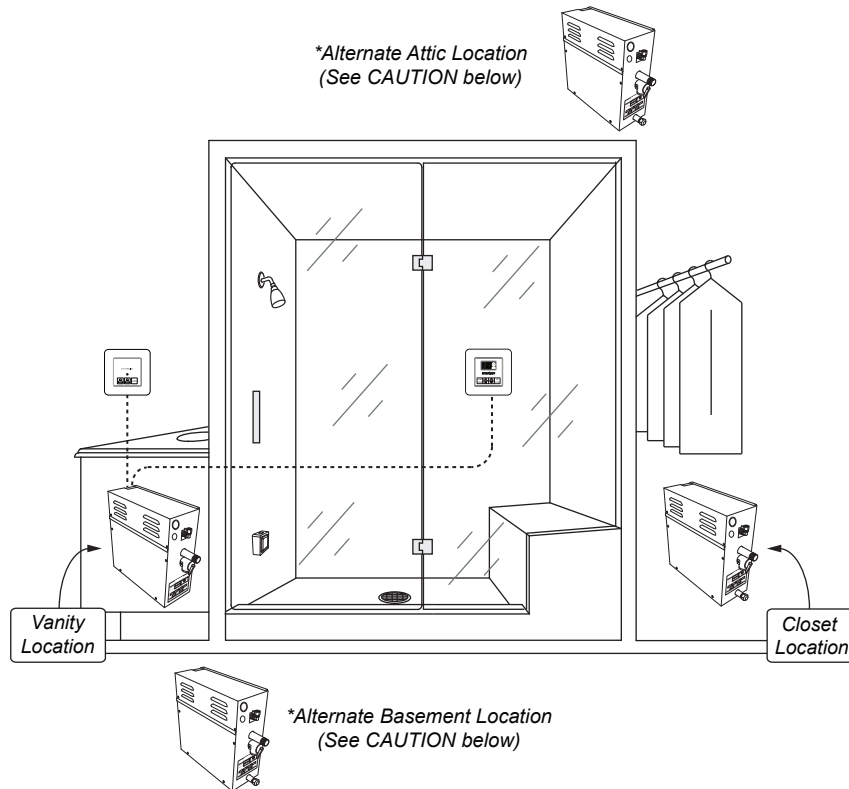
Figure 5



Access for Service Chart (See Figure 5)

Model Number	A With AutoDrain	B Without AutoDrain	C	D
SMP-5, SMP-7 and SMP-10	28"	21"	22"	18"
SMP-12 and SMP-15	35"	28"	22"	18"

Installation Suggestions



***CAUTION:** Steam generators must NOT be installed outdoors, in moist, humid areas, in areas prone to freezing, or extreme heat such as an unventilated attic. To do so will void the warranty.



Important: Locate Publication No. 199 “Steam Bath Important Safety Instructions”. This publication includes a Warning label that the contractor must install on the wall near the entrance to the steam room in a highly visible location. This label and its additional safety information are packaged with the generator in the envelope containing the installation instructions. If it is lost or missing contact Steamist (201-933-0700) for a replacement Publication No. 199. This publication along with all documents must be left with the owner.

Control Features (*New for 2017)

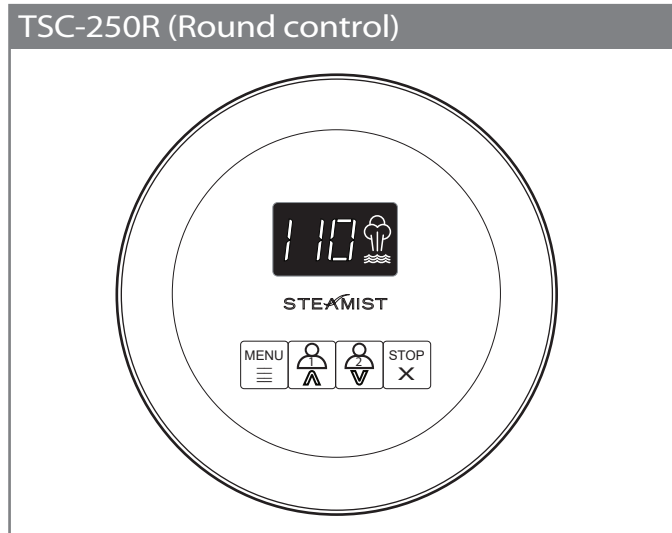
1. **Display:** The digital readout displays the ambient temperature, set point and cycle time, system status, and diagnostic error codes.
2. **Steam Icon:** When illuminated the steam cycle is running.
3. **Water Icon:** When steam shower is not in use the blue water icon indicates the **InstaMist feature is on. This is also illuminated during a steam bath cycle.
4. **Menu button:** Used to change cycle time, turn **InstaMist on or off and switch between °F and °C. When steam is off, pressing this button will toggle between these settings. The settings are changed with the up/down arrow buttons.
5. **Stop button:** Pressing this button stops the current steam cycle and the Menu mode.
6. **User 1 button:** Starts the user one cycle and is the up function when changing Menu settings. Pressing this button while in a cycle will change the temperature and remaining time left on that cycle.
7. **User 2 button:** Starts the user two cycle and is the down function when changing Menu settings. Pressing this button while in a cycle will change the temperature and remaining time left on that cycle.

IMPORTANT: This control must be installed inside the steam room for proper operation of the system and will ONLY function with TSG and SMP model steam generators.

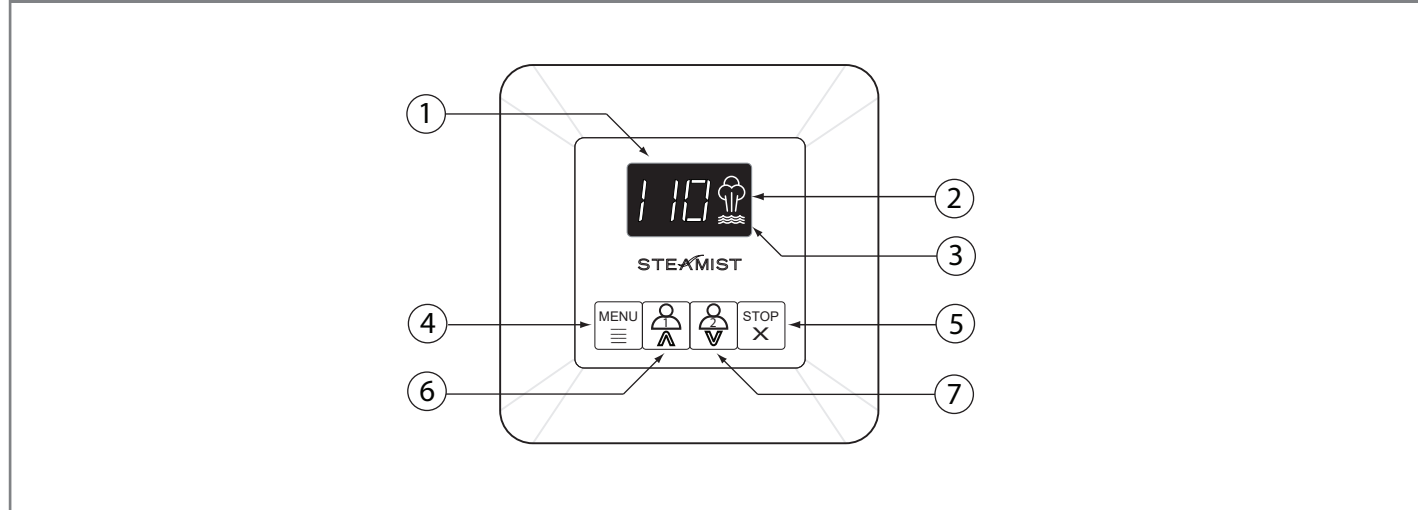
Cleaning Instructions: Use a damp cloth and mild soap. Do NOT use abrasive cleaners which might scratch the surface or the base of the control.

*If your model TSC-250 control does not match the picture below, please see Pub. No. 271-D.

**InstaMist option is ONLY available when connecting to a “TSG” model steam generator (InstaMist function is not available on the “SMP” models). InstaMist is a preheat function that keeps the water heated for quick starts.



TSC-250 Digital Temperature Control (2017 Model)



Installation Instructions

1. Pre-Installation - Control Location

- a) The TSC-250 Control must be installed inside the steam room. For convenience the recommended height from the floor is four feet. Provide a 1½" hole in the wall at this location (see Figure 1).

IMPORTANT: Multi-conductor cable must be installed so that the end will not be buried inside the wall. The unit will not operate unless the control is installed.

2. Electrical Rough-in

- a) Locate the multi-conductor cable. Carefully route the multi-conductor control cable from the steam generator to the TSC-250 located inside the steamroom (see Figure 1). Route multi-conductor cable through a ¾" conduit to protect the cable from damage and to facilitate replacement if necessary.

3. Control and Cable Installation

- a) Locate the previously installed cable and black plastic strain relief clamp which is in the control packing box. Locate the knockout on the steam generator for the control cable (see Figure 3).
- b) Place strain relief around cable about seven inches from the end and insert into the hole. Remove the protective covering labeled "Remove Before Installation" from the modular jack found on the PC board.
- c) Remove the protective cap from the multi-conductor cable plug. Connect the cable to the modular jack.
- d) Close and secure generator cover.
- e) Locate Telco Jack at female coupler, on back of the TSC-250 control. Remove the protective covering labeled "Remove Before Installation". Remove protective cap from cable and plug into jack. Check that the orientation of the plug properly aligns with the jack. A snap will indicate the plug is installed correctly (see Figure 3).

IMPORTANT: Test the control for operation before continuing on to the next step.

- f) Peel adhesive liner from back of the control. Apply the control to the wall. Press firmly and hold for a few seconds.
- g) After the control is in place, apply silicone (supplied) around the control to form a watertight seal (see Figure 2).

Figure 1

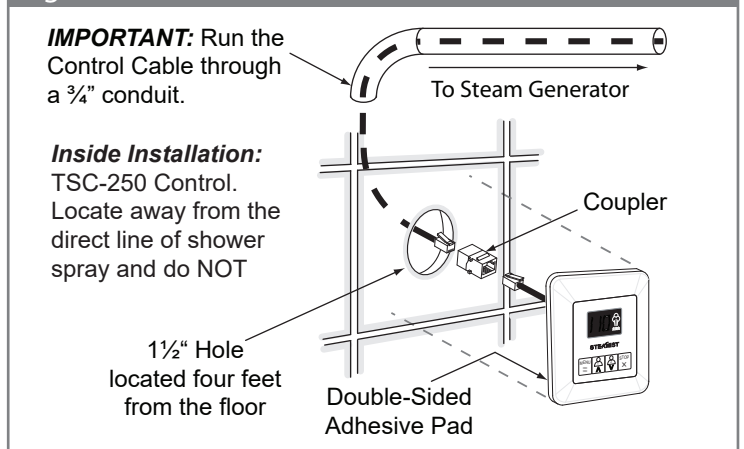
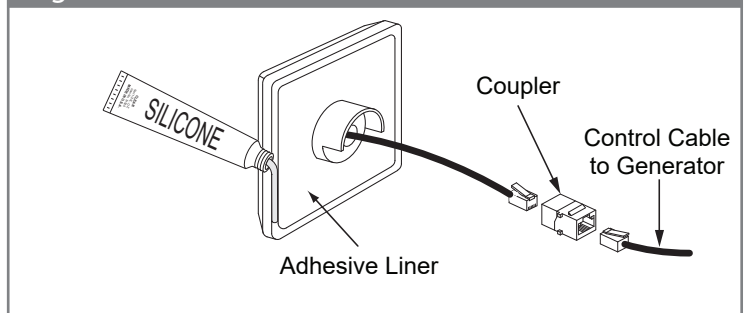
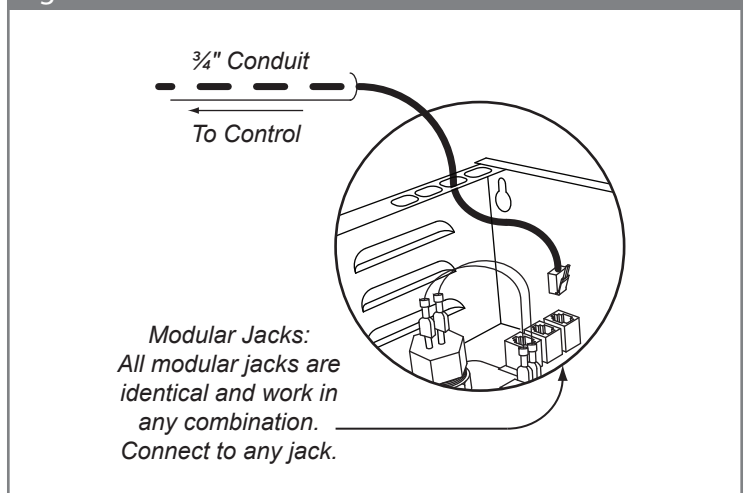


Figure 2



IMPORTANT: The adhesive on the back of the TSC-250 control will NOT seal this control. It is the responsibility of the installer to seal this control to the wall with the supplied silicone. Water damage to the control is not covered by the warranty.

Figure 3 - Cable Installation on Steam Generator



Operating Instructions

Operation: Make sure the water and power are turned on. Simply press USER 1 or USER 2 button to begin the cycle. Press the Stop button will end the cycle. After a cycle is started it will take a few minutes for the Steam Generator to heat up and begin producing steam. This time will be less if the InstaMist has been ON. During operation the display will show the ambient temperature. To view the remaining cycle time, press the Menu button.

Programming: Adjustments can be made to temperature and cycle time, while a cycle is started. When the temperature is displayed, the set temperature can be viewed or changed by momentarily pressing the up or down button. Temperature adjustments made when USER 1 cycle is started will be saved to USER 1 and likewise for USER 2. All changes made to the temperature control are stored in memory until changed again. The temperature range is 60°F to 125°F (16°C to 52°C). While a cycle is running, pressing the Menu button will show the remaining cycle time and this can be adjusted with the up or down buttons. This time adjustment is only for remaining time of the current steam bath cycle.

Default Time Setting: The default time is programmed when the cycle is off using the Menu button. Any adjustments made to time, when the cycle is off are stored as the new default time for both users.

InstaMist Setting: The InstaMist feature can be turned on or off when the steam cycle is in the off mode. To adjust this setting, press the Menu button until you see the Water Icon, press the Up or Down button to change this setting. Display "On" or "OF" will appear. InstaMist keeps the steam generator warm, for a faster heat up and is ONLY available on the TSG model steam generators. (InstaMist function is not available on the "SMP" models)

Fahrenheit or Celsius setting: To change this setting, while the steam cycle is off, press the Menu button until you see an "F" or "C" in the display. Use the up or down button to change the displayed letter, to correspond to your temperature choice. Press the Stop button to exit the Menu mode. Your last setting will be saved.

NOTE: The TSC-250 and TSC-250R controls operate and install the same way, only difference between them is the physical shape.

Additional Features

Memory: The temperature set points for USER 1, USER 2, the default time, and the selection of InstaMist and other settings are retained even if there is a power failure.

Service Mode: To enter the service mode press and hold the Menu button for 5 seconds, until a blue dot lights up in the display. The control is now in the service mode. There are two features in the service mode. Pressing the Up arrow displays the program version, pressing the down arrow, restores to factory default.

Error Messages: This control is programmed with a diagnostic feature to help isolate any potential problems. Errors are displayed by flashing an "Er" followed by a 2 digit number. The first digit is the device number. Zero for the control and 1-4 for the generators. The second digit is the error code for that device. Error messages "Er 01", "Er 02", and "Er 04" indicate a problem internal to the control. If this occurs, the control should be replaced. Error messages "Er 03" means the control could not communicate with a steam generator and may be a cable connection problem. If this error occurs, check both ends of the control cable for clean, dry and secure connections. Dirty contacts can be cleaned with alcohol and a cotton swab or a toothbrush. This can also happen if the control is not sealed and the cable connections get wet. Also make sure the generator is not in test mode. Try resetting the breaker. Generator error codes are not covered in this document.

Figure 4 - Installation Suggestions

