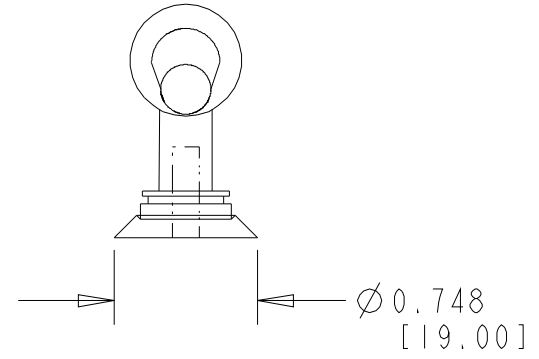


#8-32 THREAD  
0.66" DEPTH



DRAWING NOT TO SCALE

DIMENSIONS IN INCHES AND [mm] SHOWN ARE NOMINAL AND SUBJECT TO CHANGE. FOR CRITICAL SPECIFICATIONS CONTACT STANLEY CUSTOMER SUPPORT. COPYRIGHT STANLEY HARDWARE, 2007



FRANKLIN PULL (8043)