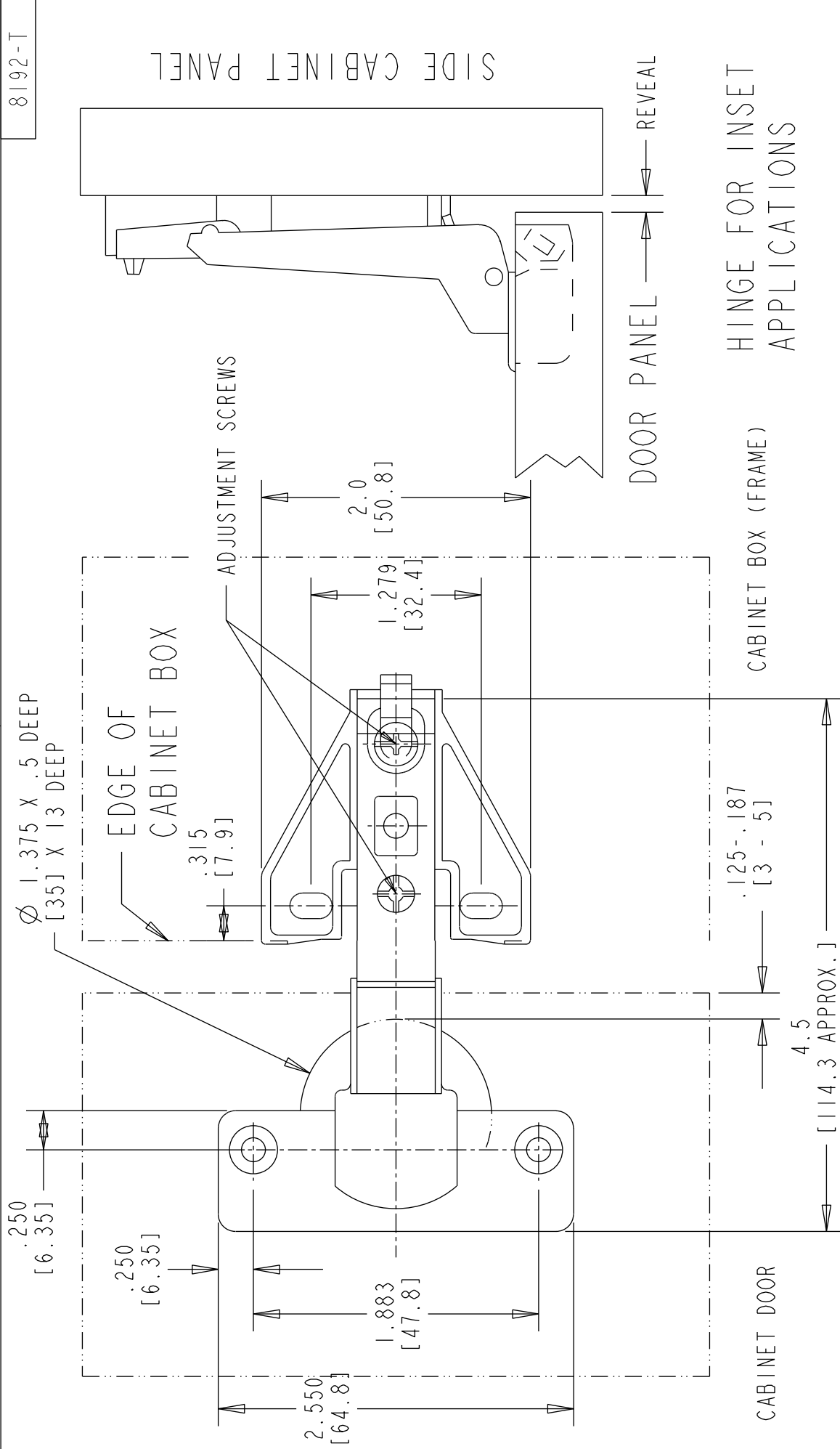


8192-T



HINGE FOR INSET APPLICATIONS

DRAWING NOT TO SCALE

DIMENSIONS IN INCHES AND [mm] SHOWN ARE NOMINAL AND SUBJECT TO CHANGE. FOR CRITICAL SPECIFICATIONS CONTACT STANLEY CUSTOMER SUPPORT. COPYRIGHT STANLEY HARDWARE, 2007



INSET CONCEALED HNG (BB8192)