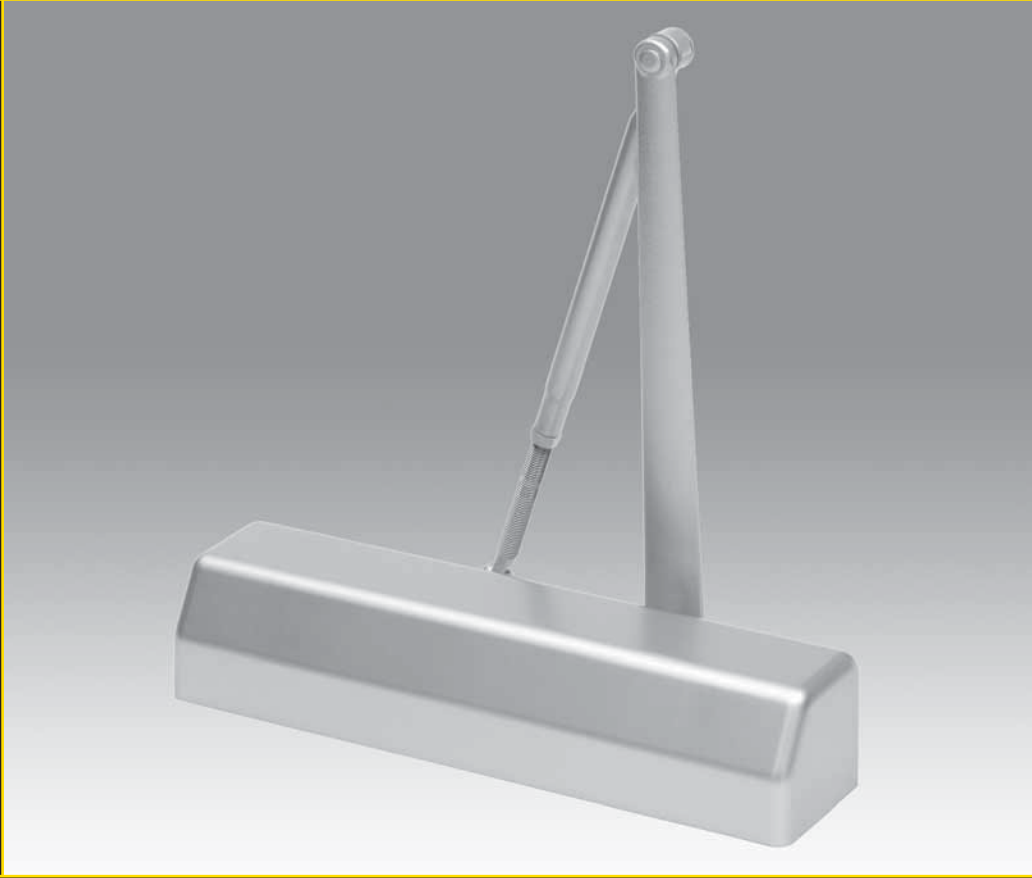


STANLEY[®]
Security Solutions



DOOR CLOSERS

D-3550 / D-3551 SERIES

STANLEY[®]

TABLE OF CONTENTS		Page	Page
General Information.....	2, 3	Top Jamb Application.....	6
How To Order	3	Top Jamb Application.....	6
Standard Application.....	4	Track Rail Arm Application.....	7
Parallel Arm Application.....	5	Accessories	8

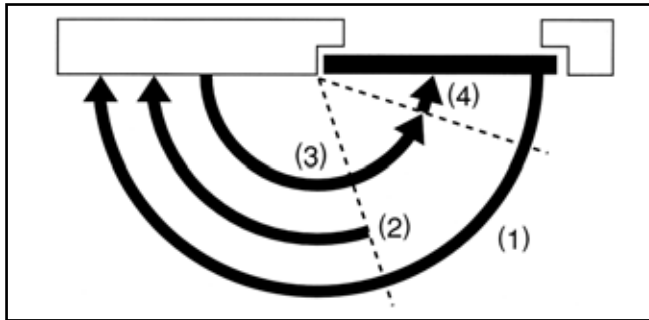


INTRODUCTION

The model D3550 Series is Stanley's most versatile Door Closer. The reduced body profile provides ease of installation on a variety of applications. In addition the R-14 Silicon Aluminum construction provides dependable performance under heavy loads associated with high use institutional applications. The D3550 Closer accommodates a variety of standard and heavy-duty arm applications.

Features

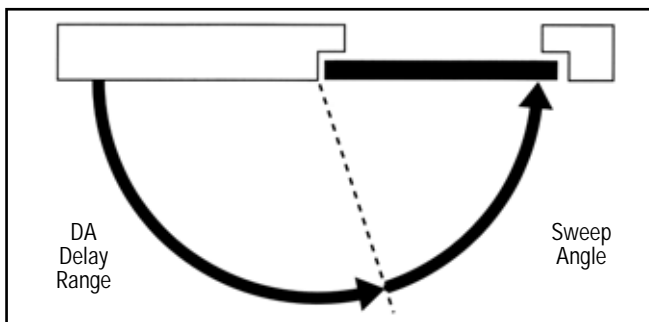
Controls the door through the entire opening and closing cycles by providing adjustable backcheck upon opening and adjusting general and latch speeds through the closing cycle.



- (1) opening swing, no checking
- (2) backcheck
- (3) general speed
- (4) latch speed

Delayed Action - Optional

The D-3550DA/ D-3551DA Series Door Closers are equipped with a separate hydraulic valve adjustment to delay the closing speed from 180 to 70 degrees of door opening range.



Non-Handed

Can be used on both RH and LH doors for both push side and pull side mounting.

Adjustable Spring Power

The D-3550 Series Door Closers are adjustable from size 2 through 6 with 15% adjustment over size 6. The D-3551 Series Door Closers are adjustable from size 1 through 4. The D-3551 Series Door Closers are designed to meet entrance accessibility requirements of 5 LBF opening force or less.

Non-Critical Regulation

The separate adjustments for backcheck, general and latch speeds are equipped with non-critical "V-Slot" regulating valves which allow for fine tuning the closing and latching speeds as well as the backcheck intensity.

All Season Fluid

All season fluid eliminates the need for seasonal adjustment. Special High Silicon Aluminum Alloy Housing
All D-3550 / D-3551 Series Door Closers are constructed of Stanley R14 HIGH SILICON ALUMINUM ALLOY to exceed the ANSI/ BHMAA156.4 Grade 1 requirements.

Forged Arms

Heavy duty forged arms are interchangeable between the D-3550 and D-4550 Series Door Closers.

High Impact Cover

All D-3550 / D-3551 Series Door Closers are shipped with a high impact self-extinguishing decorative cover.

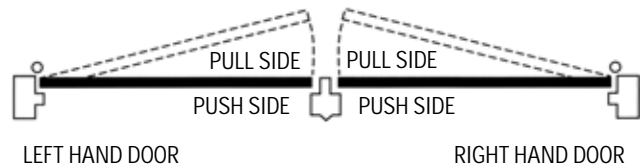
Special Rust Inhibitor (SRI) - Optional

For installations where a higher level of corrosive resistance is required.

Maintenance Free

Door Closers mounted in accordance with the provided installation instructions are maintenance free from periodic inspection and adjustment.

Handing



GENERAL INFORMATION

Closing Power Adjustment

D-3550 – Size 2 – 6 with 15% adjustment over size 6. The D-3550 Series is adjusted to size 3 before leaving the factory.

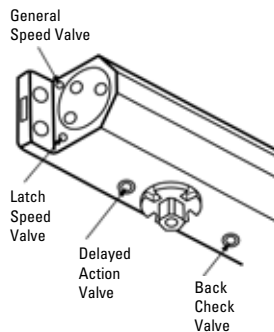
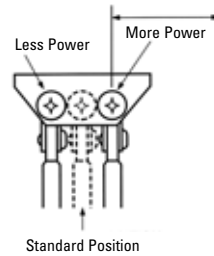
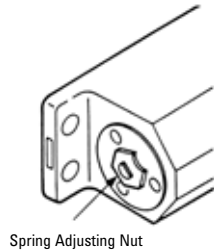
D-3551 – Size 1 – 4 with 15% adjustment over size 4. The D-3551 Series Door Closer is specially designed for doors where the door opening forces shall be 5 LBF or less through 90°. The D-3551 Door Closer is adjustable up to a size 4. The D-3551 Series is adjusted to size 2 before leaving the factory.

Latching Power Adjustment

The D-3550 / D-3551 Series Door Closers have the provision to adjust the leverage of the arms by changing the pivot position of the arm in the shoe. The shoe itself does not have to be removed from the door or jamb.

Delayed Action

A delayed action feature is available with this series for all applications and arms. The feature permits the door to close very slowly through the delayed action cycle range. To order add suffix DA to closer number.



Arm Options Suffix	Description	Page
L	Long Rod Forearm (Top Jams only)	9
H	Standard Hold Open	4
PH	Parallel Hold Open	5
EDA	Heavy Duty Arm	7
H-EDA	Heavy Duty Arm w/Hold Open	7
S	Heavy Duty Arm w/Stop	7
CS	Heavy Duty Arm w/Compression Stop	7
HS	Heavy Duty Arm w/Hold Open and Stop	7
HCS	Heavy Duty Arm w/Hold Open & Comp. Stop	7
T	Track Mount	8
HT	Track Mount w/Hold Open	8
TCS	Track Compression Stop	8

Packing

All D-3550 / D-3551 Series Door Closers with standard arm sets are packed for mounting on standard, parallel arm or top jamb applications. All closer assemblies are packed 4 per carton. Tracks for track mounted closers are packed separately.

Through Bolts and Sex Nuts

When through bolting is ordered, factory will furnish sex nuts for use with the machine screws furnished with the closer. Nuts are sized to accommodate 1-3/8" or 1-3/4" thick doors.

ANSI and U.L. Specifications

The D-3550/D-3551 Series Door Closers have been Certified to the requirements of the ANSI/BHMA Standard A156.4 - 2000 Grade 1.

Listed with Underwriters' Laboratories, Inc. and Underwriters' Laboratories of Canada. "For Self-Closing Doors Without Hold-Open Feature" on R7525(R).

D-3550 / D-3551 Series Door Closers have been certified by UL to be in compliance with UL 10 C and UBC 7.2 (1997).

HOW TO ORDER D-3550/D-3551

D-355	0	DA	EDA	689	SN
Model. No.	Size	Options	Arm Type	Finishes	Fasteners
D-355	0– See Closing Power Adjustment page 5 1– See Closing Power Adjustment page 5	DA – Delayed Action (optional)	L– Long Rod Forearm (TJ only) H – Standard Hold Open PH – Parallel Hold Open EDA – Heavy Duty Arm H-EDA – Heavy Duty Arm w/ Hold Open S – Heavy Duty Arm w/ Stop CS – Heavy Duty Arm w/Compression Stop HS – Heavy Duty Arm w/ Hold Open & Stop HCS – Heavy Duty Arm w/ Hold Open & Comp. Stop T – Track Mount HT – Track Mount w/ Hold Open TCS– Track Compression Stop	689 690 691 693 695 696	SN – Sex Nuts & Bolts Wood & Machine Screws furnished standard SEC – Security Screws

STANDARD APPLICATION

D-3550 / D-3551 Series Door Closer

Specifications

- Closer mounted on PULL side of door
- See installation instructions for additional remplate options.
- Contact Stanley for Technical Support.

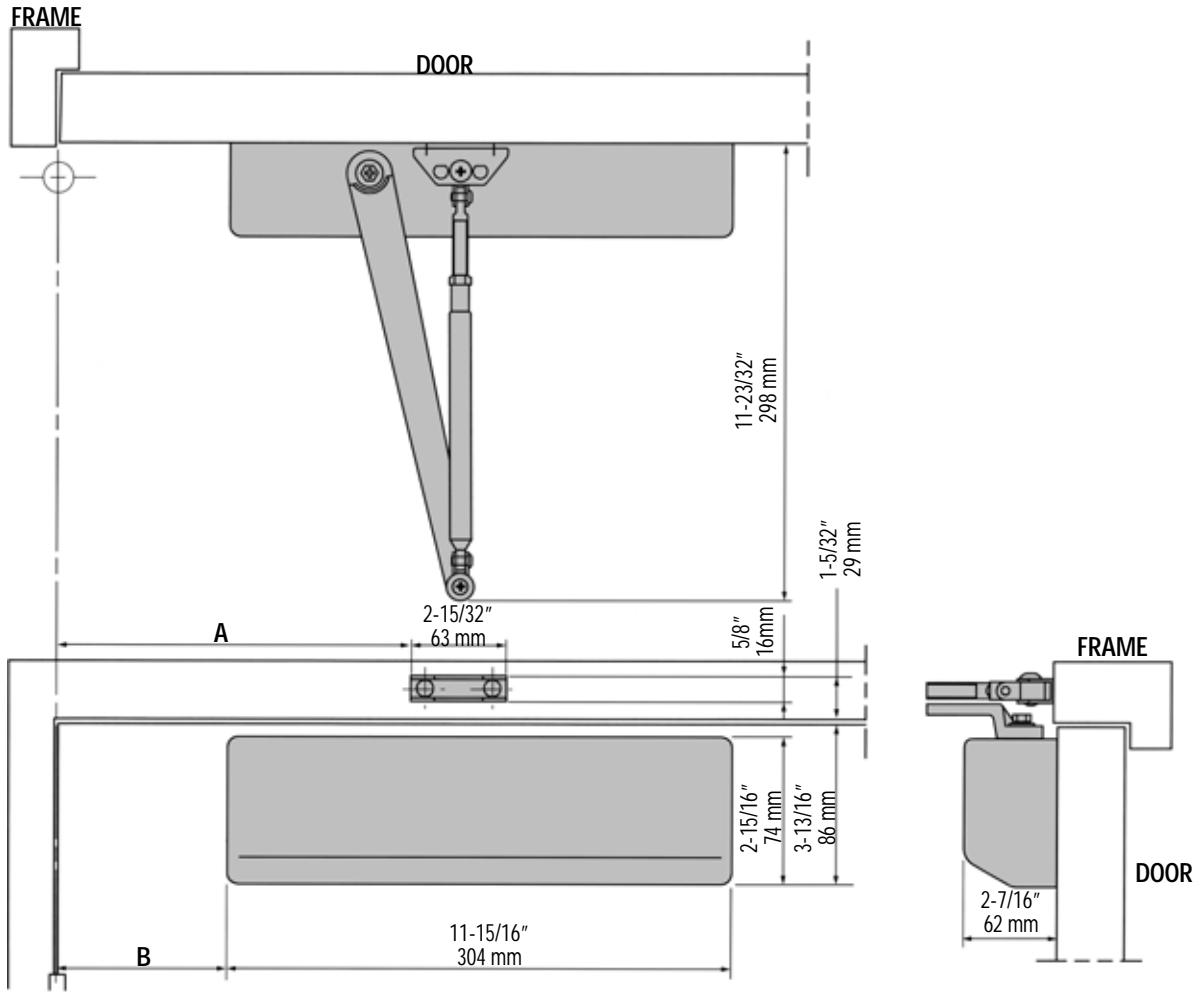
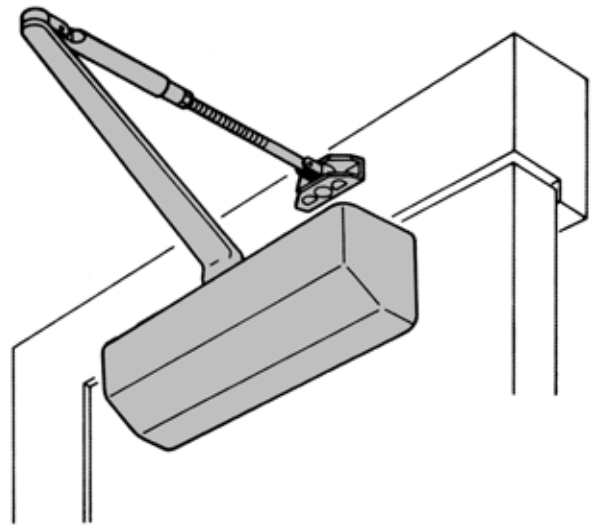
Maximum Door Opening

180° Opening

A = 9-3/32" (236 mm)

B = 4-3/32" (104 mm)

Hold-open points up to maximum door opening with hold open arm.



PARALLEL ARM APPLICATION

D-3550 / D-3551 Series Door Closer

Specifications

- Closer mounted on PUSH side of door
- See installation instructions for additional template options.
- Contact Stanley for Technical Support.

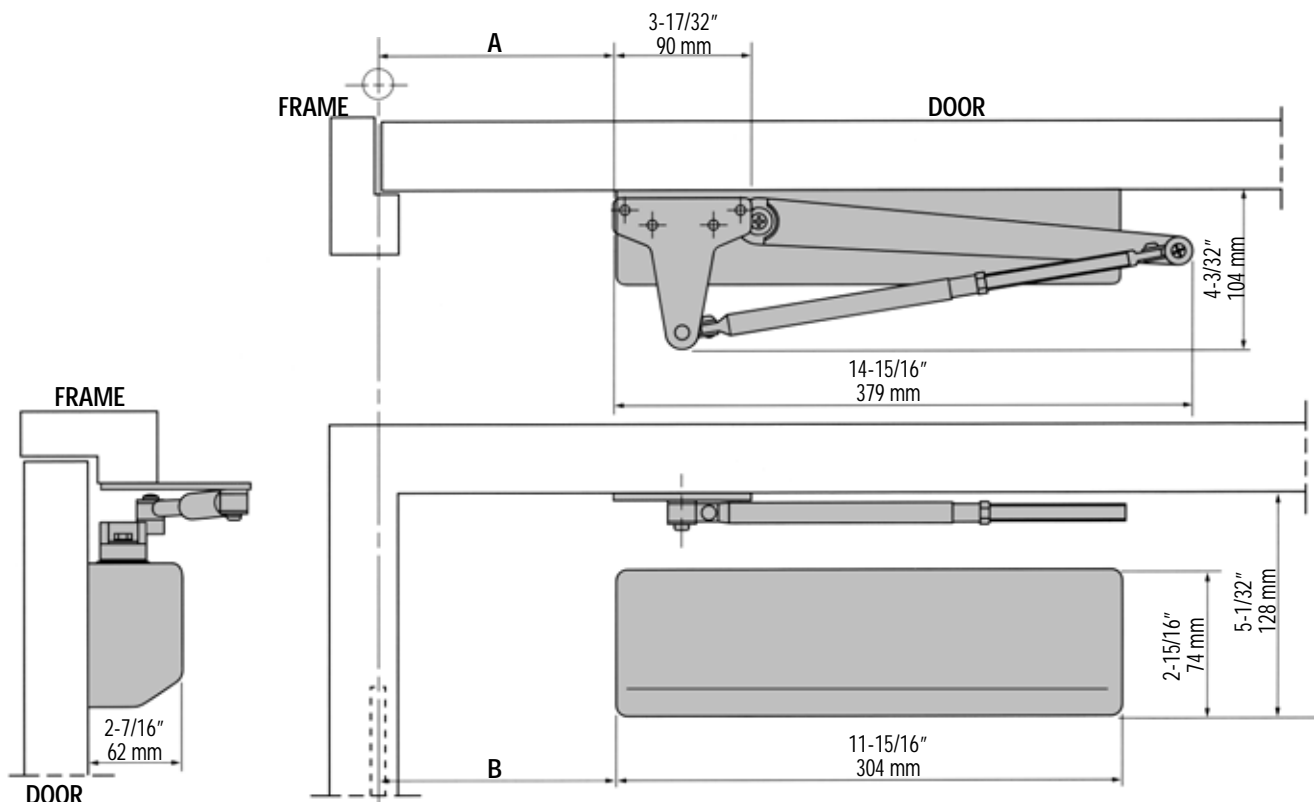
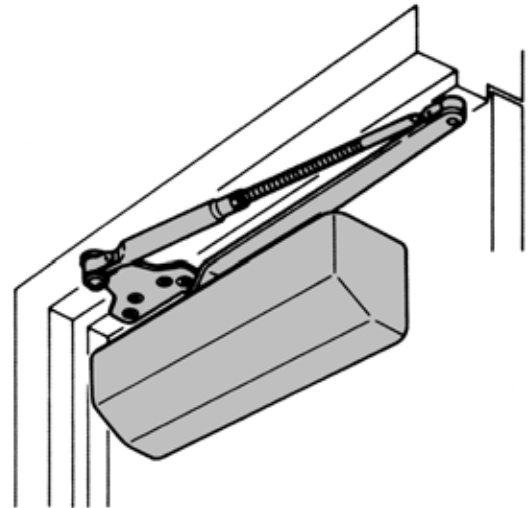
Maximum Door Opening

180° Opening

A = 6-3/32" (155 mm)

B = 1-15/16" (50 mm)

Hold-open points up to maximum door opening with hold open arm.



TOP JAMB APPLICATION

D-3550 / D-3551 Series Door Closer

Specifications

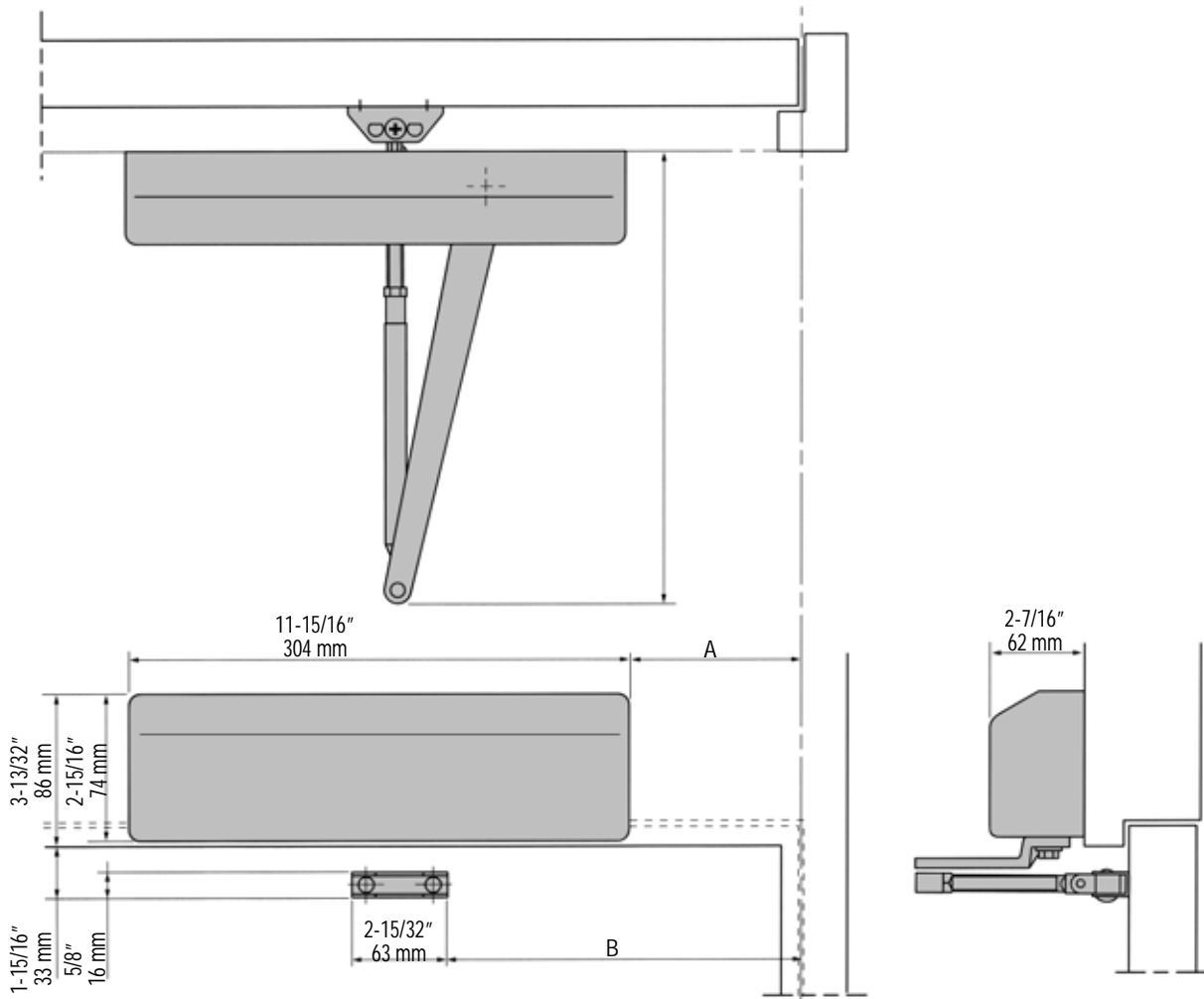
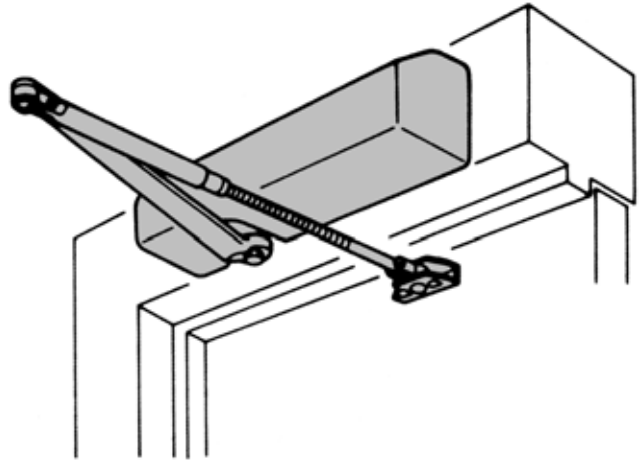
- Closer mounted on PUSH side of door
- See installation instructions for additional template options.
- Standard reveals up to 3-5/32" (78 mm)
- For deeper reveals use long rod and shoe A45-501L (See page 8)
- Contact Stanley for Technical Support.

Maximum Door Opening

180° Opening

A = 4-3/32" (104 mm)

B = 9-9/32" (236 mm)

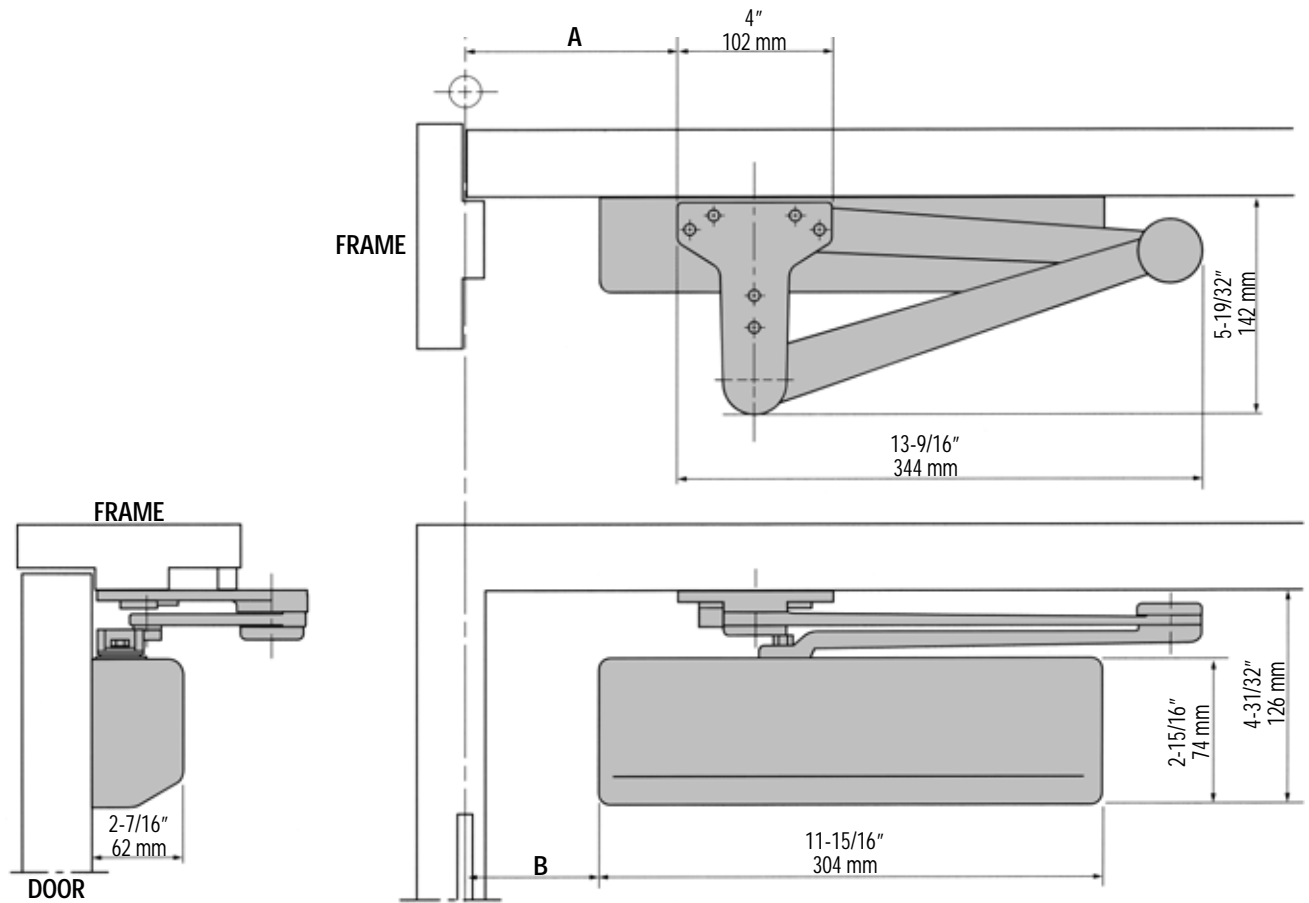
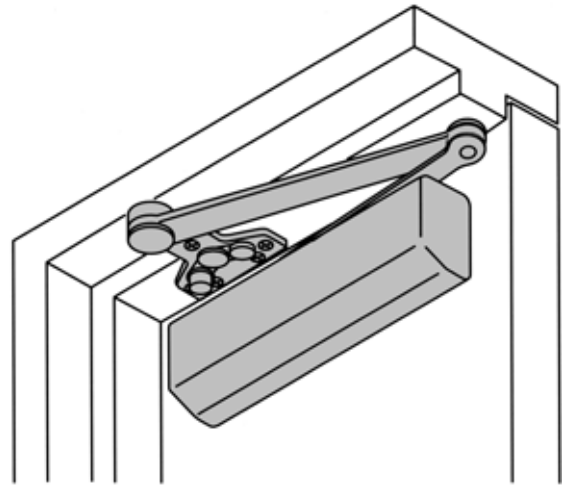


HEAVY DUTY ARM APPLICATION

D-3550 / D-3551 Series Door Closer

Specifications

- EDA, H-EDA, S, CS, HS and HCS
- Closer mounted on PUSH side of door
- See installation instructions for additional template options.
- Contact Stanley for Technical Support.



TRACK RAIL ARM APPLICATION

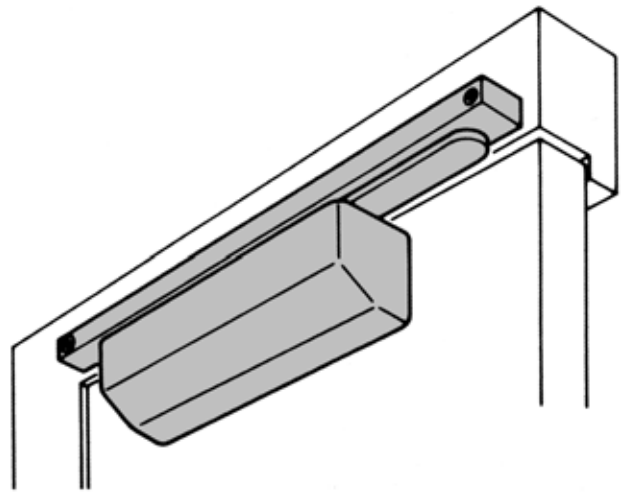
D-3550 / D-3551 Series Door Closer

Specifications

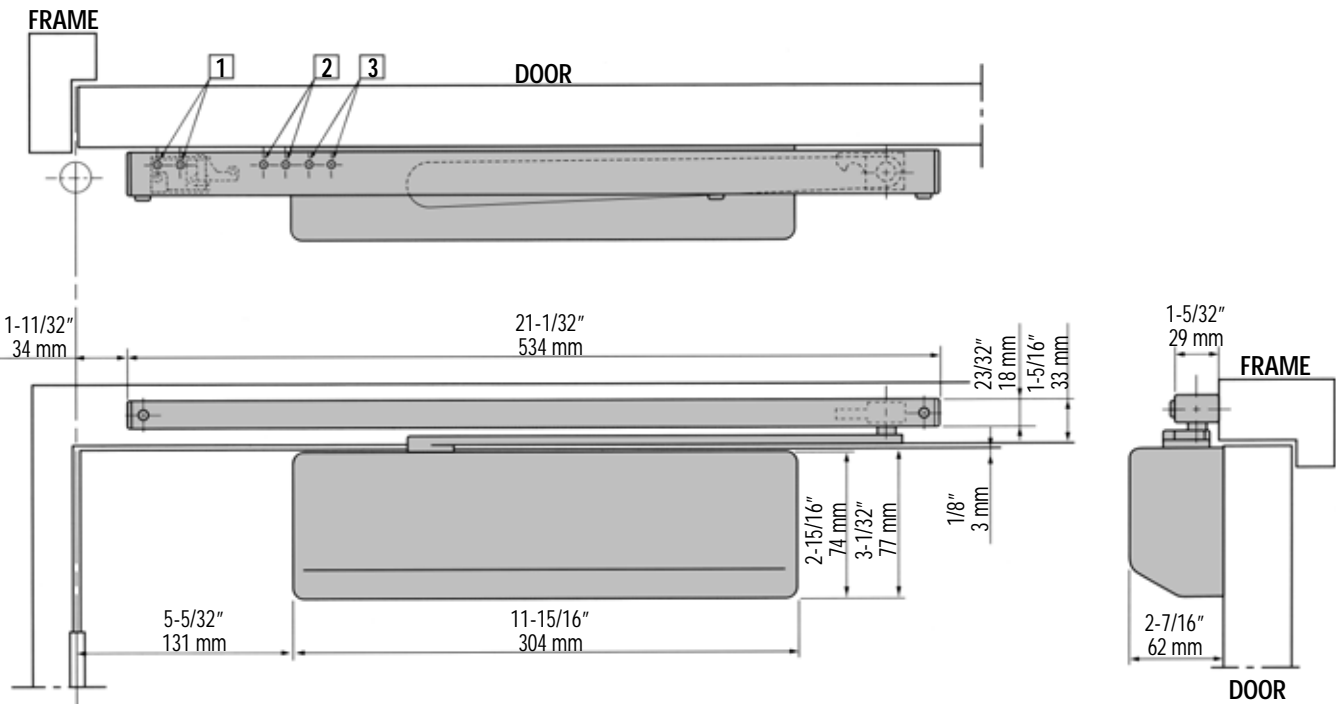
- T, HT, TCS Application
- Closer mounted on PULL side of door
- Contact Stanley for Technical Support.

Maximum Door Opening

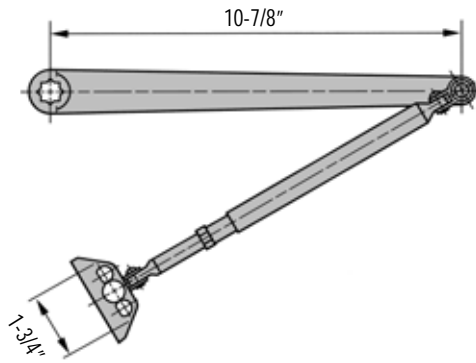
120° Opening



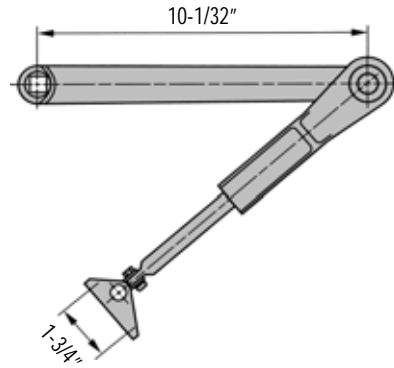
Hold Open Device	1	2	3
Hold Open Angle	108°	87°	81°



Standard Arm Set A45-501

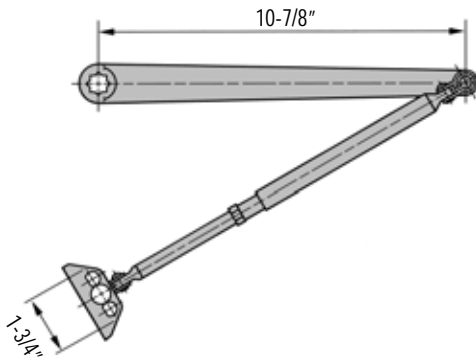


Standard Hold-Open Arm Set A45-501H



Standard Arm Set with Long Rod and Shoe Set A45-501L

- For reveals from 2-1/2" to 8"

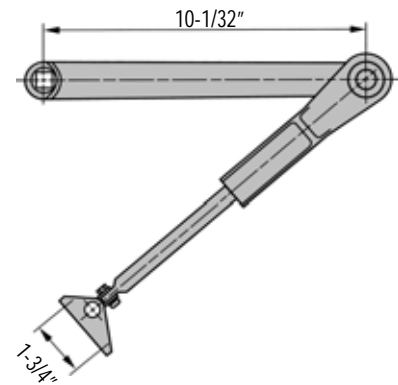


Standard Hold-Open Arm with Long Rod and Shoe Set A45-501HL

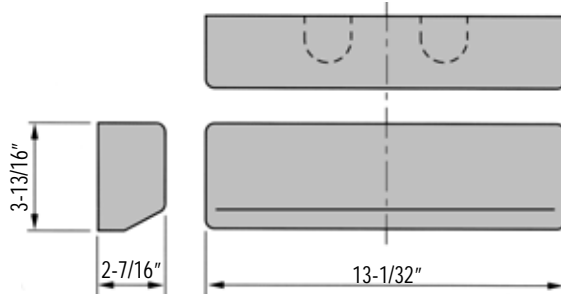
- For reveals from 3-3/16" to 4-13/16"

A45-501HXL

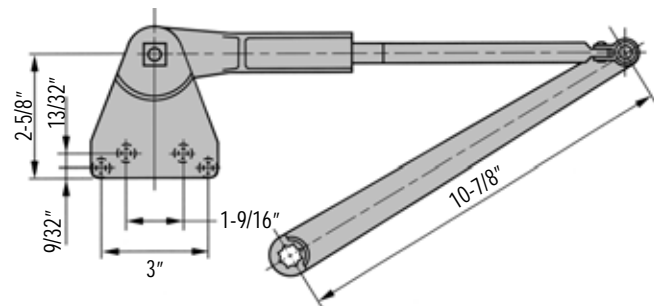
- For reveals from 4-7/8" to 8"



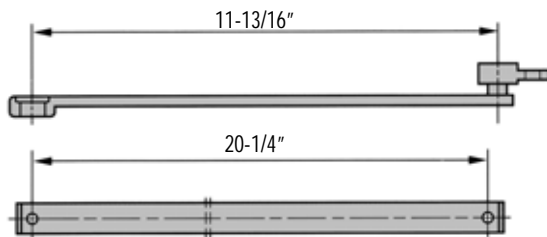
Full Cover (Optional) C-455 Plastic



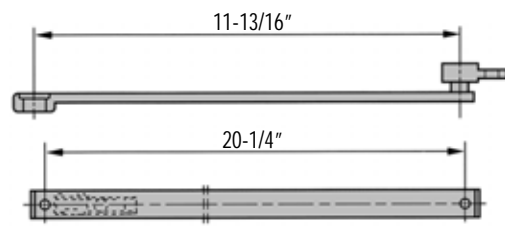
Parallel Hold-Open Arm Set A45-503H



Track Rail Arm Set A45-507T

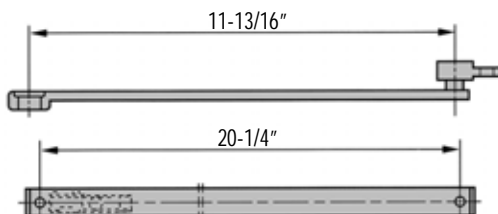


Track Rail Hold-Open Arm Set A45-507HT



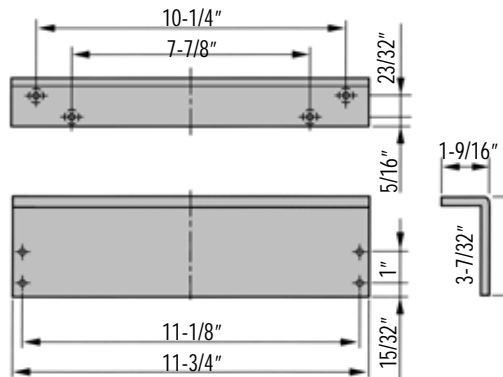
Track Rail Arm Set A45-507TCS

- Includes internal bumper for compression stop

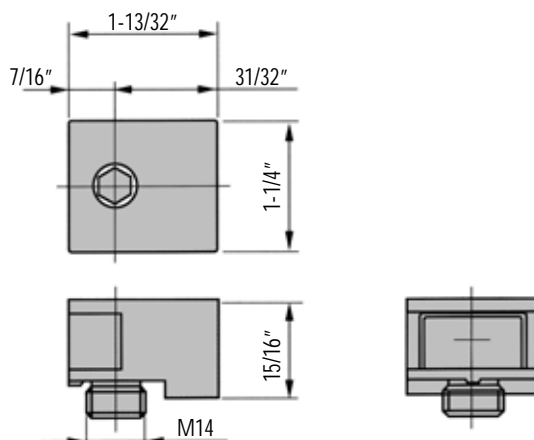


ACCESSORIES

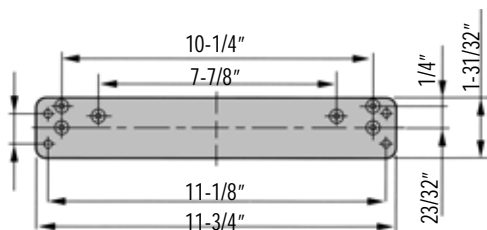
Angle Bracket
P35-190



Compression Stop



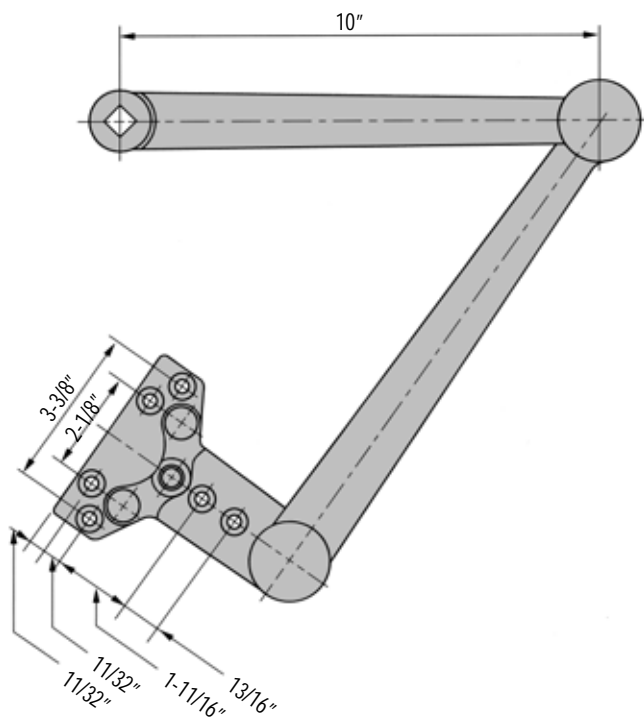
Drop Plate
P35-180



Heavy Duty Parallel Arm Set
A45-505

Heavy Duty Parallel Arm Set with Stop
A45-505S

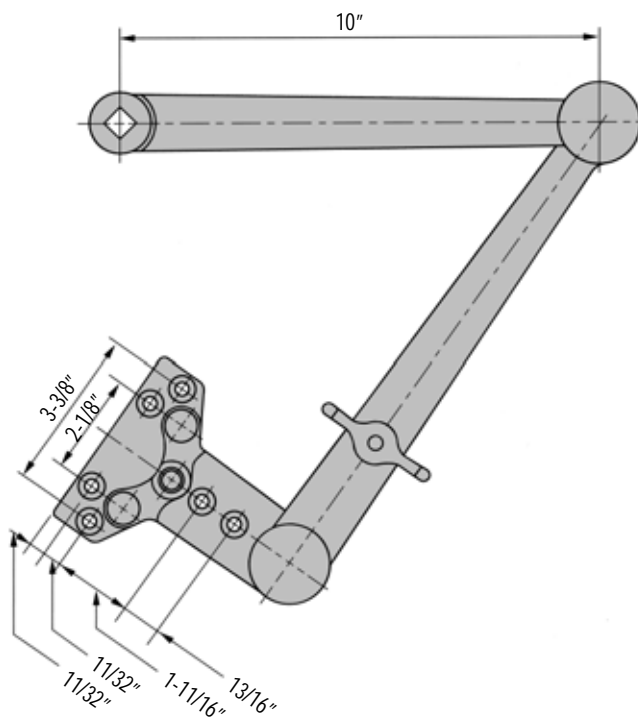
Heavy Duty Parallel Arm Set with Compression Stop A45-505CS



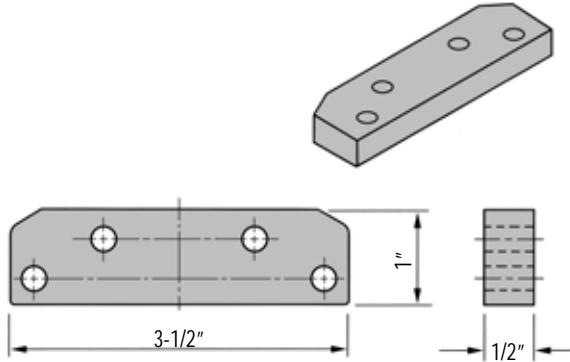
Heavy Duty Parallel Arm Set with Hold Open
A45-505H

Heavy Duty Parallel Arm Set with Stop and Hold Open A45-505HS

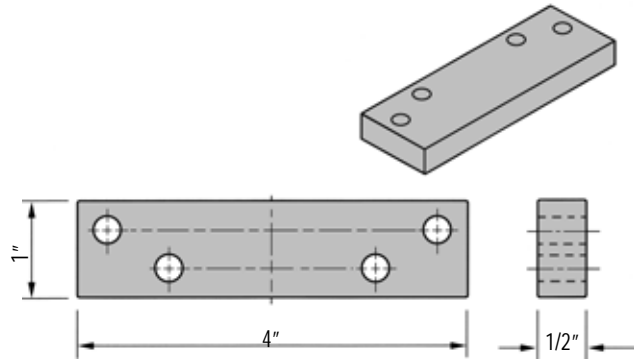
Heavy Duty Parallel Arm Set with Compression Stop and Hold Open A45-505HCS



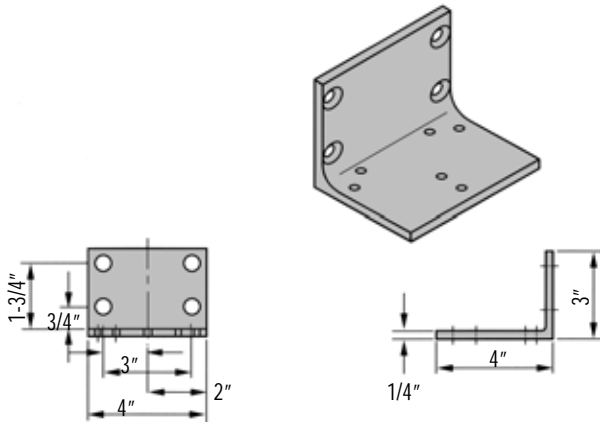
Spacer Block for Mounting PA Bracket on Rabbet
P45-110



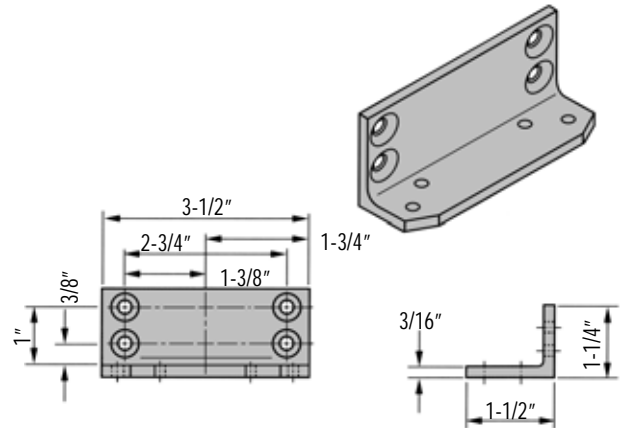
Spacer Block for Mounting HD Arms on Rabbet
P45HD-110



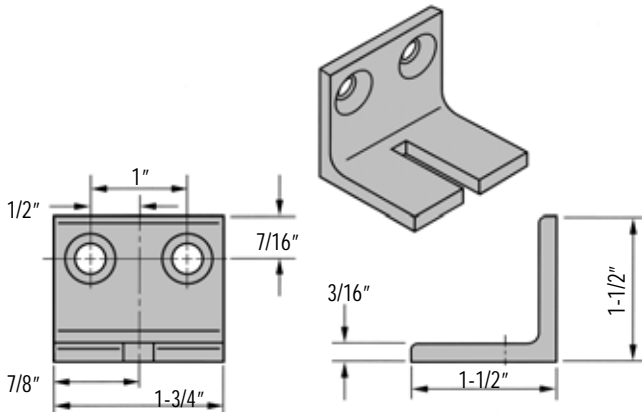
Angle Bracket for Mounting HD Arms on Flush Transom
P45HD-114



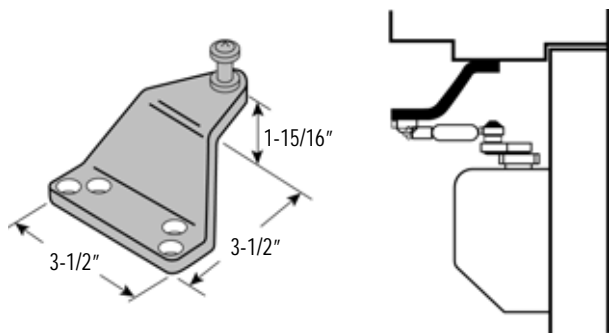
Angle Bracket for Mounting PA Bracket on Flush Transom
P45-114



Angle Bracket for Shoe Support on HD Arms
P45HD-112



Extra-Clearance Offset Soffit Plate
P45-113



For more information on Stanley Security Solutions' products, services, and office locations visit our web site at www.stanleysecuritysolutions.com

Product information contained in this catalog has been compiled and presented with as much care and completeness as is reasonably possible. Errors or mistakes may be present, and in many cases, reliance has been placed on information supplied by other manufacturers which may be in error or which may be subject to changes or modifications by the manufacturer without notice and without obligation. Therefore, no guarantee can be made or should be assumed or implied with regards to product information contained in this catalog.



Stanley Security Solutions, Inc.

6161 E. 75th Street Indianapolis, Indiana 46250

© 2013 Stanley Security Solutions, Inc. • www.stanleysecuritysolutions.com

0512
SDC006