



Important Instructions

Subject: Installing Elevated Base Pedestal on Frontload Washers and Dryers

Use With: PDR108W, PDR108B, PDR108U, PDR108G, PDR108D, PDC106B, PDC108B, PDC110B, PDC112B Elevated Base Pedestals

	WARNING
<p>This kit is to be installed in accordance with the manufacturer's instructions and all codes and requirements of the authority having jurisdiction. In Canada, this conversion/installation shall be carried out in accordance with the requirements of the provincial authorities having jurisdiction and in accordance with the requirements of the CAN/CGA-B149.1 and CAN/CGA-B149.2 installation code. Failure to follow instructions could result in serious injury, death or property damage. The qualified agency performing this work assumes all responsibility for this kit installation.</p>	
W013R4	

	WARNING
<p>To reduce the risk of electric shock, fire, explosion, serious injury or death:</p> <ul style="list-style-type: none"> • Disconnect electric power to the machine before servicing. • Close gas shut-off valve to the machine before servicing. • Close steam gate valve to the machine before servicing. • Never start the machine with any guards/panels removed. • Whenever ground wires are removed during servicing, these ground wires must be reconnected to ensure that the machine is properly grounded. 	
W017	


Pedestal consists of:	
1	Elevated Base Pedestal
4	Leveling Leg Nuts
4	Leveling Legs
4	Rubber Feet
4	5/16 in. Cap Screw (2 in.)
4	5/16 in. Lock Washer
4	5/16 in. Nut
3	Hex Screw
1	Dryer Mounting Strap
2	5/16 in. Cap Screw (3.5 in.)
8	3/8 in. Flat Washer
2	1/2 in. Screw
1	Important Instructions

Tools required for this kit:	
Installation Instructions for washer or dryer	
Level	
Crescent Wrench	
5/16 in. Socket Driver	

IMPORTANT: Elevated Base Pedestal is designed for use with frontload washers or dryers only. Do not install on stack washer/dryer or stack dryer/dryer products. This pedestal is not designed for use with other products.



NOTE: Refer to the Installation Instructions that came with the washer or dryer when uninstalling and reinstalling the washer or dryer.

	<h2 style="margin: 0;">WARNING</h2>
<p>To reduce the risk of personal injury, two people are required to lift the unit onto the pedestal.</p>	
<small>W526</small>	

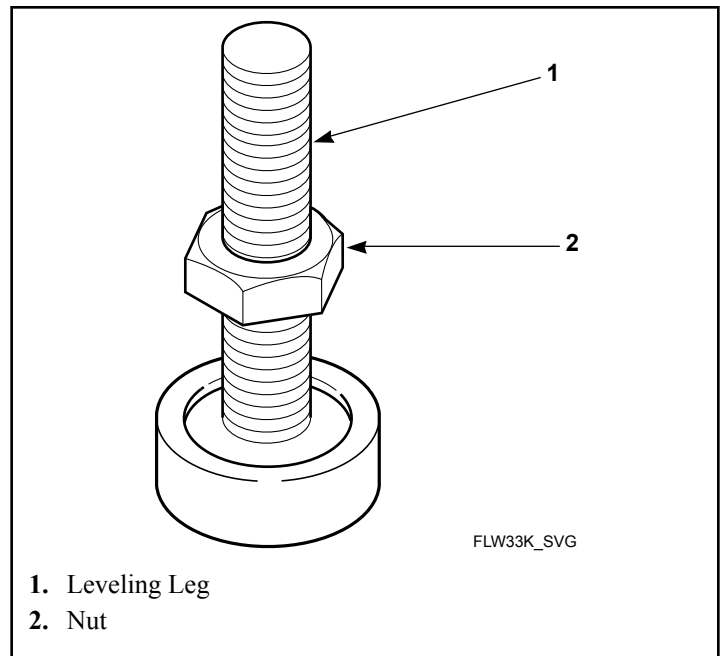
Homestyle Washer Installation (PDR108W, PDR108B, PDR108U, PDR108G, PDR108D Pedestal)

1. Disconnect electrical power to unit.
2. Turn off water supply and disconnect fill hoses.
3. Disconnect drain hose from drain receptacle.
4. Install the shipping brace before tipping washer to remove leveling legs.
5. Remove existing leveling legs from bottom of unit. When taking off legs, tip unit back to get access to legs. This will require assistance.

IMPORTANT: DO NOT tip the washer onto its side. Only tip toward front or back.

NOTE: Save leveling legs for future use.

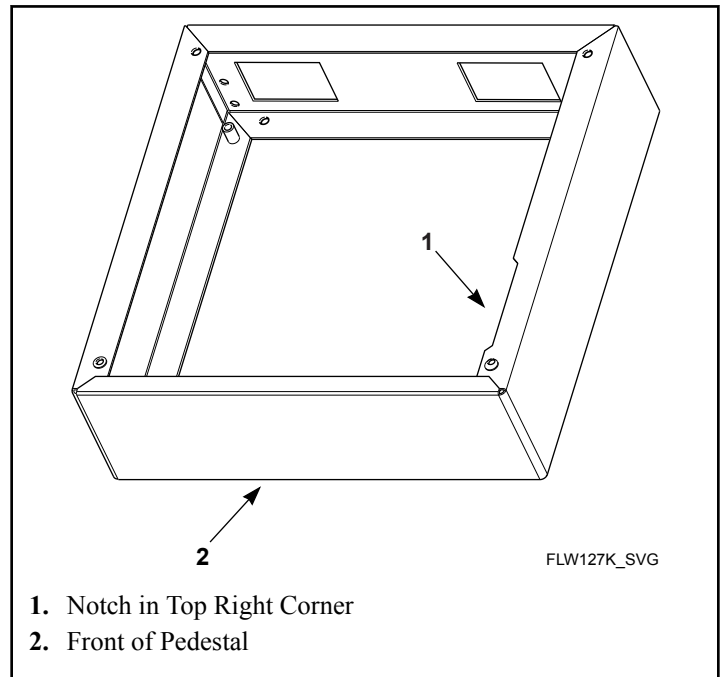
6. Install leveling legs included with pedestal onto bottom of pedestal.
 - a. Place rubber feet on all four leveling legs.
 - b. Thread each nut down to within one inch of the bottom of each leveling leg. Leave room for a wrench to fit for adjusting leg and tightening nut. Refer to *Figure 1*.



1. Leveling Leg
2. Nut

Figure 1

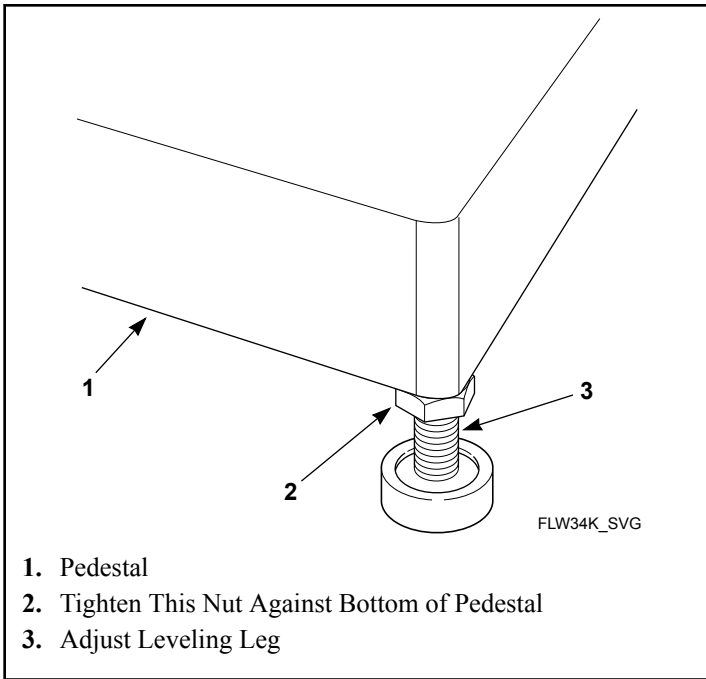
- c. Screw leveling legs with nuts into bottom flange of the elevated base pedestal.
7. Place pedestal into desired final location. Position pedestal so the notch is in the top right corner. Refer to *Figure 2*.



1. Notch in Top Right Corner
2. Front of Pedestal

Figure 2

8. Level pedestal from front to back and from side to side by screwing leveling legs into or out of pedestal. Refer to *Figure 3*.
3. Turn leg clockwise to lift or counterclockwise to lower.



1. Pedestal
2. Tighten This Nut Against Bottom of Pedestal
3. Adjust Leveling Leg

Figure 3

9. Once pedestal is level, tighten the nuts installed in step 8 up against bottom of pedestal. Refer to *Figure 3* . Make sure to hold leg when tightening nut.
10. Move pedestal into an open work area. You will need access to back and front of unit to attach unit to pedestal.

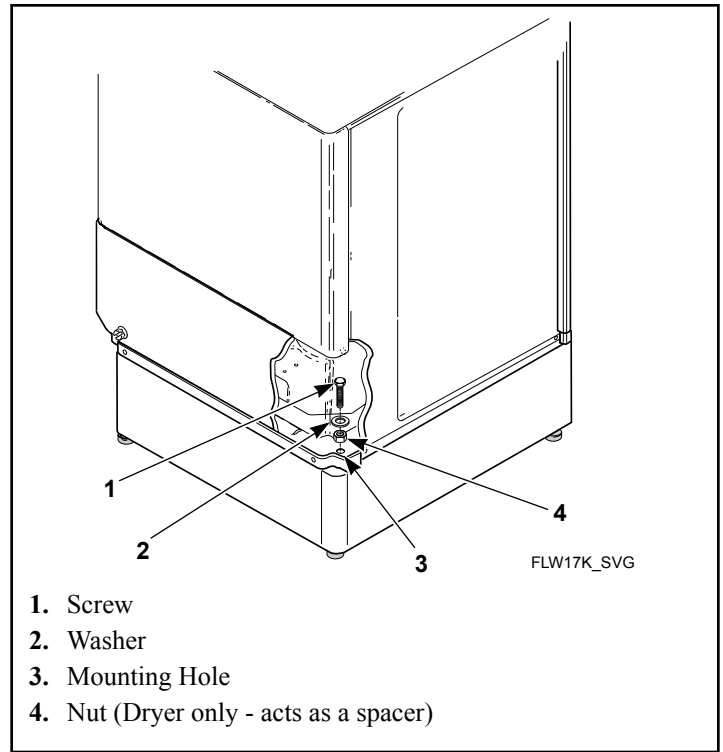


WARNING

To reduce the risk of personal injury, two people are required to lift the unit onto the pedestal.

W526

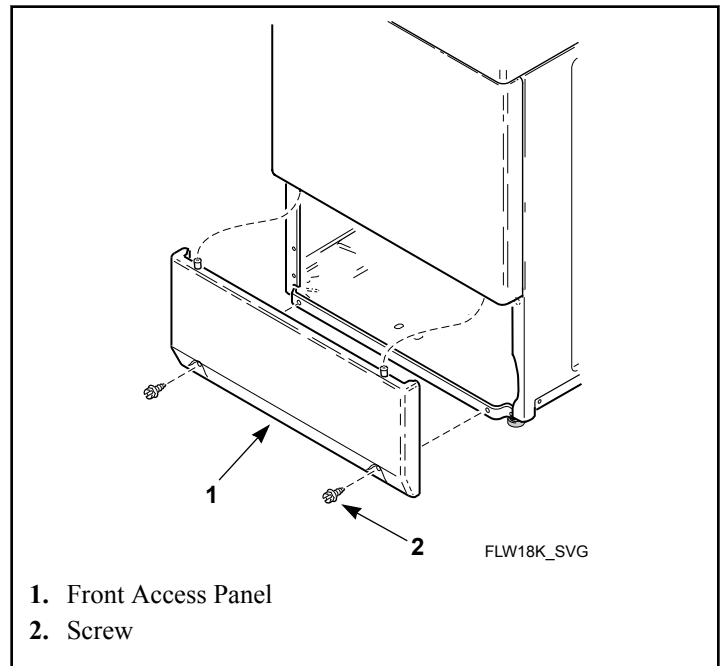
11. With proper help, tilt unit forward and lift. Carefully set unit onto pedestal. Make sure front of unit is positioned to line up with pedestal's mounting holes. Refer to *Figure 4* . Make sure pedestal is square with front and back of unit.



1. Screw
2. Washer
3. Mounting Hole
4. Nut (Dryer only - acts as a spacer)

Figure 4

12. Gather contents of the parts bag.
13. Remove front access panel at the lower front of unit by removing two screws from bottom edge of panel. Refer to *Figure 5* .



1. Front Access Panel
2. Screw

Figure 5

14. Attach washer to pedestal by placing two cap screws and washers from inside of washer into threaded holes on front of pedestal. Refer to *Figure 4* .

15. Attach washer to pedestal by placing two 1/2-inch screws from back of pedestal into threaded holes on back of pedestal. Refer to *Figure 6* . After partially installing all four, tighten all four screws.

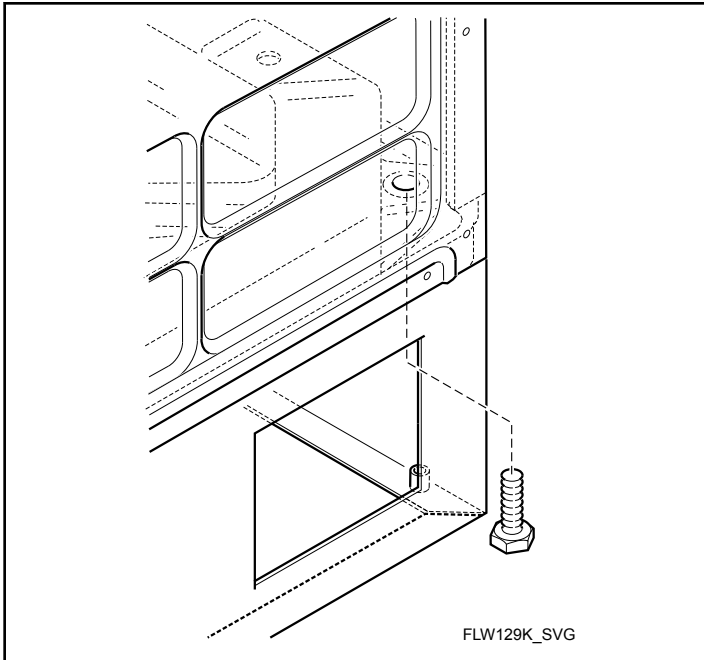
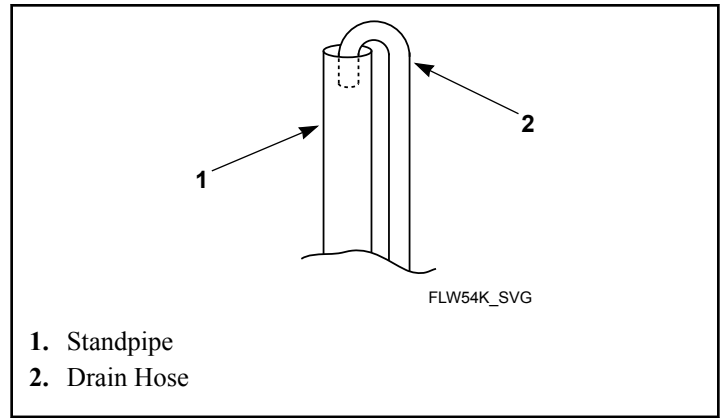


Figure 6

16. Remove the shipping brace from front of machine and the two bolts from rear of machine. Verify all shipping parts have been removed.
17. Reinstall front access panel.
18. Move unit with pedestal into desired location. Position rear of elevated base pedestal to allow sufficient room for reinstallation. Refer to installation instructions supplied with unit for proper spacing and clearance.
19. Check if unit is level. If needed, make final adjustment to leveling legs on pedestal.
20. Follow Installation Instructions from unit to finish installing the unit.
21. Drain Hose Models - Reattach drain hose to drain receptacle.

IMPORTANT: Add height of pedestal to recommended standpipe height (24 to 36 inches [61 to 91.44 cm]). Verify that standpipe drain is within new range. Raise standpipe as needed so drain hose fits at an appropriate depth. Refer to *Figure 7* .



1. Standpipe
2. Drain Hose

Figure 7

22. Gravity Drain Models - Connect drain fitting to vented drain system using a flexible connection (obtain locally). Inside diameter of fitting is 1.53 in. [39 mm] and outside diameter is 1.66 in. [42 mm].

NOTE: Water must flow downward from washer to drain system.

23. Reattach fill hoses and turn on water supply.
24. Reconnect electrical power to unit.

Commercial Washer Installation (PDC106B, PDC108B, PDC110B, PDC112B Pedestals)

1. Disconnect electrical power to unit.
2. Turn off water supply and disconnect fill hoses.
3. Disconnect drain hose from drain receptacle.
4. Install leveling legs included with pedestal onto bottom of pedestal.

NOTE: Alternatively, this pedestal may be bolted to a concrete or wooden structure using industry standard mounting methods.

- a. Place rubber feet on all four leveling legs.
 - b. Thread each nut down to within one inch of the bottom of each leveling leg. Leave room for a wrench to fit for adjusting leg and tightening nut. Refer to *Figure 1* .
 - c. Screw leveling legs with nuts into bottom flange of pedestal.
5. Place pedestal into desired location. Front of pedestal has two bolt holes on top flange. Refer to *Figure 8* .

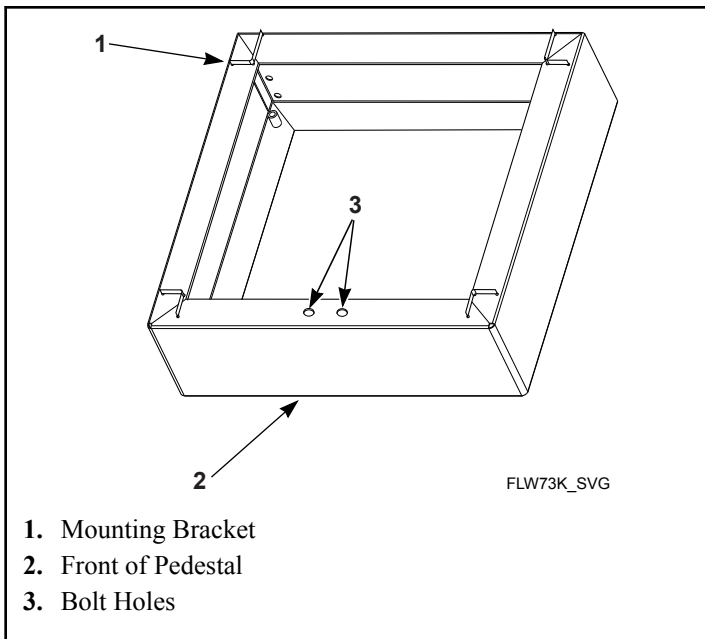


Figure 8

6. Level pedestal from front to back and from side to side by screwing leveling legs into or out of pedestal. Refer to *Figure 3* . Turn leg clockwise to lift or counterclockwise to lower.
7. Once pedestal is level, tighten the nuts installed in step 6 up against bottom of pedestal. Refer to *Figure 3* . Make sure to hold leg when tightening nut.
8. If installing two or more pedestals in a row, they may be bolted together. Use four 5/16 inch cap screws and nuts included in kit. Place two 3/8 inch flat washers included in kit between pedestals to allow for unit clearance.
9. Make sure washer is level. Adjust leveling legs on washer if necessary.



WARNING

To reduce the risk of personal injury, two people are required to lift the unit onto the pedestal.

W526

10. With proper help, tilt washer forward and lift. Carefully set washer onto pedestal, placing washer's feet into pedestal's mounting brackets. Refer to *Figure 8* . Make sure pedestal is square with front and back of washer.
11. Remove front access panel at lower front of washer by removing two screws from bottom edge of panel. Refer to *Figure 5* .
12. Install two 5/16 inch cap screws included with pedestal through washer's shipping bracket holes and into pedestal. Refer to *Figure 8* .
13. Reinstall front access panel.
14. Check if unit is level. If needed, make final adjustment to leveling legs on pedestal.

15. Follow Installation Instructions from unit to finish installing the unit.
16. Drain Hose Models -Reattach drain hose to drain receptacle.
IMPORTANT: Add height of pedestal to recommended standpipe height (24 to 36 inches [61 to 91.44 cm]). Verify that standpipe drain is within new range. Raise standpipe as needed so drain hose fits at an appropriate depth. Refer to *Figure 7* .
17. Gravity Drain Models - Connect drain fitting to vented drain system using a flexible connection (obtain locally). Inside diameter of fitting is 1.53 in. [39 mm] and outside diameter is 1.66 in. [42 mm].
NOTE: Water must flow downward from washer to drain system.
18. Reattach fill hoses and turn on water supply.
19. Reconnect electrical power to unit.

Homestyle Dryer Installation (PDR108W, PDR108B, PDR108U, PDR108G, PDR108D Pedestal)

1. Disconnect electrical power to unit.
2. Disconnect dryer vent.
3. On gas dryers, disconnect gas from dryer.
4. Remove existing leveling legs from bottom of unit. When taking off legs, tip unit back to get access to legs. This will require assistance.
NOTE: Save leveling legs for future use.
5. Remove four leveling legs, nuts and rubber feet from parts bag included with pedestal.
6. Place rubber feet on all four leveling legs.
7. Thread each nut down to within one inch of the bottom of each leveling leg. Leave room for a wrench to fit for adjusting leg and tightening nut. Refer to *Figure 1* .
8. Screw leveling legs with nuts into bottom flange of the elevated base pedestal.
9. Place pedestal into desired final location. Position pedestal so the notch is in the top right corner. Refer to *Figure 2* .
10. Level pedestal from front to back and from side to side by screwing leveling legs into or out of pedestal. Refer to *Figure 3* . Turn leg clockwise to lift or counterclockwise to lower.
11. Once pedestal is level, tighten the nuts installed in step 7 up against bottom of pedestal. Refer to *Figure 3* . Make sure to hold leg when tightening nut.
12. Move pedestal into an open work area. You will need access to back and front of unit to attach unit to pedestal.



WARNING

To reduce the risk of personal injury, two people are required to lift the unit onto the pedestal.

W526

13. With proper help, tilt unit forward and lift. Carefully set unit onto pedestal. Make sure front of unit is positioned to line up with pedestal's mounting holes. Refer to *Figure 4*. Make sure pedestal is square with front and back of unit.
 14. Gather contents of the parts bag.
 15. Remove front access panel at the lower front of unit by removing two screws from bottom edge of panel. Refer to *Figure 5*.
 16. Attach dryer to pedestal by placing two cap screws, washers and nuts from inside front of unit into threaded holes on pedestal. Nuts act as spacers to keep screw head above dryer base leg holes. Refer to *Figure 4*. Tighten screws after partially installing both.
- NOTE: Remaining two screws, washers and nuts are not required to attach dryer to pedestal.**
17. Attach strap included in parts bag to dryer cabinet rear panel and to center back of pedestal. Remove one screw from middle of dryer rear panel. Refer to *Figure 9*. Reattach screw with strap using long slot hole. Do not tighten yet. Attach strap to back of pedestal using two screws. Refer to *Figure 9*. Tighten all screws.

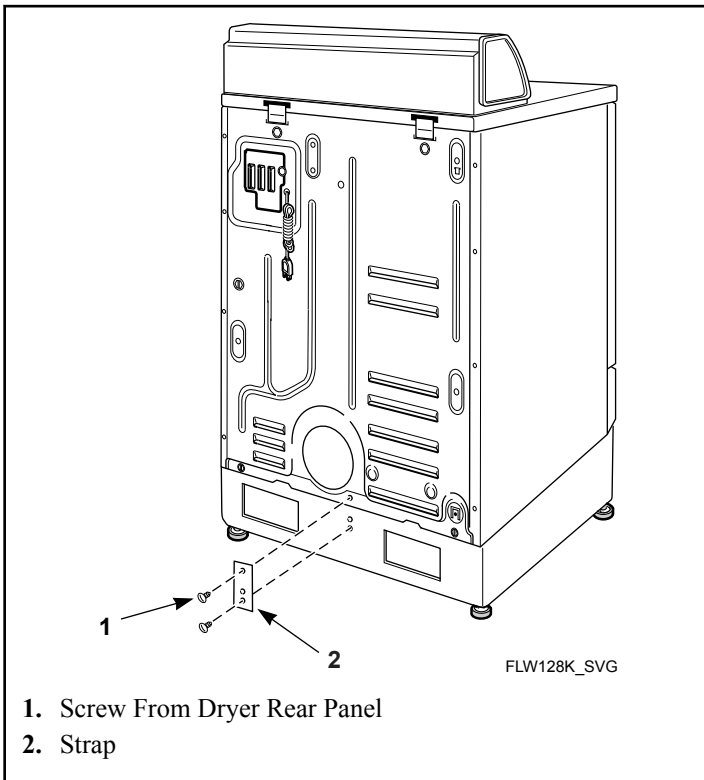


Figure 9

18. Reinstall front access panel.
19. Move unit with pedestal into desired location. Position rear of elevated base pedestal to allow sufficient room for reinstallation. Refer to installation instructions supplied with unit for proper spacing and clearance.
20. Check if unit is level. If needed, make final adjustment to leveling legs on pedestal.
21. Follow Installation Instructions from unit to finish installing the unit.
22. Reattach dryer vent.
23. On gas dryers, reattach gas to dryer.
24. Reconnect electrical power to unit.

Commercial Dryer Installation (PDC106B, PDC108B, PDC110B, PDC112B Pedestals)

1. Disconnect electrical power to unit.
 2. Disconnect dryer vent.
 3. On gas dryers, disconnect gas from dryer.
 4. Remove four leveling legs, nuts and rubber feet from parts bag included with pedestal.
 5. Place rubber feet on all four leveling legs.
 6. Thread each nut down to within one inch of the bottom of each leveling leg. Leave room for a wrench to fit for adjusting leg and tightening nut. Refer to *Figure 1*.
 7. Screw leveling legs with nuts into bottom flange of the elevated base pedestal.
- NOTE: Alternatively, this pedestal may be bolted to a concrete or wooden structure using industry standard mounting methods.**
8. Place pedestal into desired final location. Front of pedestal has two bolt holes on top, front flange. Refer to *Figure 8*.
 9. Level pedestal from front to back and from side to side by screwing leveling legs into or out of pedestal. Refer to *Figure 3*. Turn leg clockwise to lift or counterclockwise to lower.
 10. Once pedestal is level, tighten the nuts installed in step 6 up against bottom of pedestal. Refer to *Figure 3*. Make sure to hold leg when tightening nut.
 11. If installing two or more pedestals in a row, they may be bolted together. Use four 5/16 inch cap screws and nuts included in kit. Place two 3/8 inch flat washers included in kit between pedestals to allow for unit clearance.



WARNING

To reduce the risk of personal injury, two people are required to lift the unit onto the pedestal.

W526

12. Make sure dryer is level. Adjust leveling legs on dryer if necessary.
13. With proper help, tilt dryer forward and lift. Carefully set unit onto pedestal, placing unit's feet into pedestal's mounting brackets. Refer to *Figure 8*. Make sure pedestal is square with front and back of unit.
14. Attach strap included in parts bag to dryer cabinet rear panel and to center back of pedestal. Remove one screw from middle of dryer rear panel. Refer to *Figure 9*. Reattach screw with strap using long slot hole. Do not tighten yet. Attach strap to back of pedestal using two screws. Refer to *Figure 9*. Tighten all screws.
15. Check if unit is level. If needed, make final adjustment to leveling legs on pedestal.
16. Follow Installation Instructions from unit to finish installing the unit.
17. Reattach dryer vent.
18. On gas dryers, reattach gas to dryer.
19. Reconnect electrical power to unit.