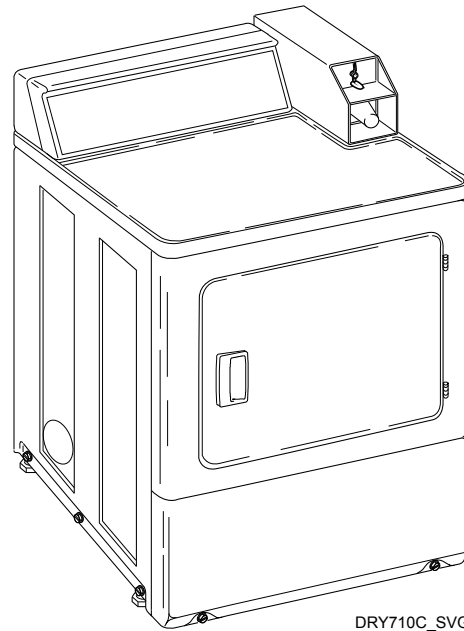


Clothes Dryer

Electric and Gas Models



Installation/Operation



DRY710C_SVG

Original Instructions

Keep These Instructions for Future Reference.

CAUTION: Read the instructions before using the machine.

(If this machine changes ownership, this manual must accompany machine.)

Alliance[™]
Laundry Systems

www.alliancelandry.com

Part No. D514691ENR8
July 2019



WARNING



WARNING



Risk of fire. Highly flammable material.

W881



Read all instructions before using unit.



WARNING

FOR YOUR SAFETY, the information in this manual must be followed to minimize the risk of fire or explosion or to prevent property damage, personal injury or death.

W033



WARNING

- Do not store or use gasoline or other flammable vapors and liquids in the vicinity of this or any other appliance.
- **WHAT TO DO IF YOU SMELL GAS:**
 - Do not try to light any appliance.
 - Do not touch any electrical switch; do not use any phone in your building.
 - Clear the room, building or area of all occupants.
 - Immediately call your gas supplier from a neighbor's phone. Follow the gas supplier's instructions.
 - If you cannot reach your gas supplier, call the fire department.
- Installation and service must be performed by a qualified installer, service agency or the gas supplier.

W052

IMPORTANT: Purchaser must consult the local gas supplier for suggested instructions to be followed if the dryer user smells gas. The gas utility instructions plus the SAFETY and WARNING note directly above must be posted in a prominent location near the dryer for customer use.



WARNING

- Installation of unit must be performed by a qualified installer.
- Install clothes dryer according to manufacturer's instructions and local codes.
- **DO NOT** install a clothes dryer with flexible plastic venting materials. If flexible metal (foil type) duct is installed, it must be of a specific type identified by the appliance manufacturer as suitable for use with clothes dryers. Refer to section on connecting exhaust system. Flexible venting materials are known to collapse, be easily crushed, and trap lint. These conditions will obstruct clothes dryer airflow and increase the risk of fire.

W729R1



WARNING

To reduce the risk of severe injury or death, follow all installation instructions. Save these instructions.

W894



WARNING

FOR YOUR SAFETY

Do not store or use gasoline or other flammable vapors and liquids in the vicinity of this or any other appliance.

W053

This product uses FreeRTOS V7.2.0 (www.freertos.org).

The following information applies to the state of Massachusetts, USA.

- This appliance can only be installed by a Massachusetts licensed plumber or gas fitter.
- This appliance must be installed with a 910 mm [36 inch] long flexible gas connector.
- A “T-Handle” type gas shut-off valve must be installed in the gas supply line to this appliance.
- This appliance must not be installed in a bedroom or bathroom.

Models with Wireless Board Installed

Through Serial No. 1901xxxxx

This device is granted for use in Mobile only configurations in which the antennas used for this transmitter must be installed to provide a separation distance of at least 20cm from all person and not be co-located with any other transmitters except in accordance with FCC and Industry Canada multi-transmitter product procedures.



Starting Serial No. 1902xxxxx

FCC COMPLIANCE STATEMENT

	CAUTION
Changes or modifications not expressly approved could void your authority to use this equipment.	
W965	

This device complies with Part 15 of the FCC Rules. Operation to the following two conditions: (1) This device may not cause harmful interference, and (2) this device must accept any interference received, including interference that may cause undesired operation.

INDUSTRY CANADA STATEMENT

This device complies with Industry Canada licence-exempt RSS standard(s). Operation is subject to the following two conditions: (1) this device may not cause interference, and (2) this device must accept any interference, including interference that may cause undesired operation of the device. The 807211 Wireless Network Control Assembly maintains a separation distance greater than or equal to 2.5 cm which is intrinsic to the installation as described in this manual.

Table of Contents

Safety Information.....	7
Explanation of Safety Messages.....	7
Important Safety Instructions.....	7
Dimensions.....	9
Installation.....	11
Before You Start.....	11
Tools.....	11
Models Prepped for Card Reader.....	11
Order of Installation Steps.....	11
Position and Level the Dryer.....	11
Connect Dryer Exhaust System.....	14
Exhaust Direction.....	15
Exhaust System.....	16
Multi-Dryer Installation Exhaust Requirements.....	16
Gas Dryers - Connect Gas Supply Pipe.....	19
Electric Dryer Only - Connect Electrical Plug.....	21
Earth/Ground Information.....	21
Connecting Power Cord with Three-Wire Plug.....	23
Connecting Power Cord with Four-Wire Plug.....	25
Reverse Door, if Desired.....	26
Wipe Out Inside of Dryer.....	28
Plug In the Dryer.....	28
Electric Dryer.....	28
Gas Dryer.....	28
Recheck Steps.....	29
Check Heat Source.....	29
Electric Dryers.....	29
Gas Dryers.....	30
Vending.....	30
Meter Case.....	30
Additional Security.....	31
Operation.....	32
Operation Instructions.....	32
Clean Lint Filter.....	32
Load Laundry.....	32
Close Loading Door.....	32
Set Fabric Selector.....	32
Insert Coins or Card.....	32

© Copyright 2018, Alliance Laundry Systems LLC


All rights reserved. No part of the contents of this book may be reproduced or transmitted in any form or by any means without the expressed written consent of the publisher.


To Insert Coins.....	33
To Insert Card.....	33
Start Dryer.....	33
Indicator Lights.....	33
Maintenance.....	35
Lubrication.....	35
Care of Your Dryer.....	35
Dryer Interior.....	35
Cabinet.....	35
Control Panel.....	35
Exhaust System.....	35
Lint Filter.....	35
Motor Overload Protector.....	36
For Energy Conservation.....	36
Troubleshooting.....	37
Contact Information.....	39
Installer Checklist.....	40


Safety Information

Explanation of Safety Messages

Precautionary statements (“DANGER,” “WARNING,” and “CAUTION”), followed by specific instructions, are found in this manual and on machine decals. These precautions are intended for the personal safety of the operator, user, servicer, and those maintaining the machine.

	DANGER
Indicates an imminently hazardous situation that, if not avoided, will cause severe personal injury or death.	

	WARNING
Indicates a hazardous situation that, if not avoided, could cause severe personal injury or death.	

	CAUTION
Indicates a hazardous situation that, if not avoided, may cause minor or moderate personal injury or property damage.	


Additional precautionary statements (“IMPORTANT” and “NOTE”) are followed by specific instructions.

IMPORTANT: The word “IMPORTANT” is used to inform the reader of specific procedures where minor machine damage will occur if the procedure is not followed.

NOTE: The word “NOTE” is used to communicate installation, operation, maintenance or servicing information that is important but not hazard related.

Important Safety Instructions

Save These Instructions

	WARNING
To reduce the risk of fire, electric shock, serious injury or death to persons when using your dryer, follow these basic precautions:	
W130	

- Read all instructions before using the dryer.

- Install this dryer according to the INSTALLATION INSTRUCTIONS. Refer to the EARTH/GROUND INSTRUCTIONS in the INSTALLATION manual for the proper earth/ground connection of the dryer. All connections for electrical power, earth/ground and gas supply must comply with local codes and be made by licensed personnel when required. Do not do it yourself.
- Do not install or store the dryer where it will be exposed to water and/or weather.
- Do not dry articles that have been previously cleaned in, washed in, soaked in, or spotted with gasoline or machine oils, vegetable or cooking oils, cleaning waxes or chemicals, dry-cleaning solvents, thinner, anything containing chemicals such as in mops and cleaning cloths, or other flammable or explosive substances as they give off vapors that could ignite, explode or cause fabric to catch on fire by itself.
- Do not place items exposed to cooking oils in your dryer. Items contaminated with cooking oils may contribute to a chemical reaction that could cause a load to catch fire. To reduce the risk of fire due to contaminated loads, the final part of a tumble dryer cycle occurs without heat (cool down period). Avoid stopping a tumble dryer before the end of the drying cycle unless all items are quickly removed and spread out so that the heat is dissipated.
- Items that have been soiled with substances such as cooking oil, acetone, alcohol, petrol, kerosene, spot removers, turpentine, waxes and wax removers, should be washed in hot water with an extra amount of detergent before being dried in the tumble dryer.
- To reduce the risk of fire, DO NOT DRY plastics or articles containing foam or latex rubber or similarly textured rubber-like materials, such as shower caps, water proof textiles, rubber-backed articles, and clothes or pillows filled with foam rubber pads.
- Do not tumble fiberglass curtains and draperies unless the label says it can be done. If they are dried, wipe out the cylinder with a damp cloth to remove particles of fiberglass.
- Do not allow children to play on or in the dryer. Close supervision of children is necessary when the dryer is used near children. This appliance is not intended for use by persons (including children) with reduced physical, sensory or mental capabilities, or lack of experience and knowledge, unless they have been given supervision or instruction concerning the use of the appliance by a person responsible for their safety. This is a safety rule for all appliances.
- Cleaning and user maintenance shall not be made by children without supervision.
- Children less than three years should be kept away unless continuously supervised.
- Do not reach into the dryer if the cylinder is revolving.
- Use the dryer only for its intended purpose, drying clothes. ALWAYS follow the fabric care instructions supplied by the

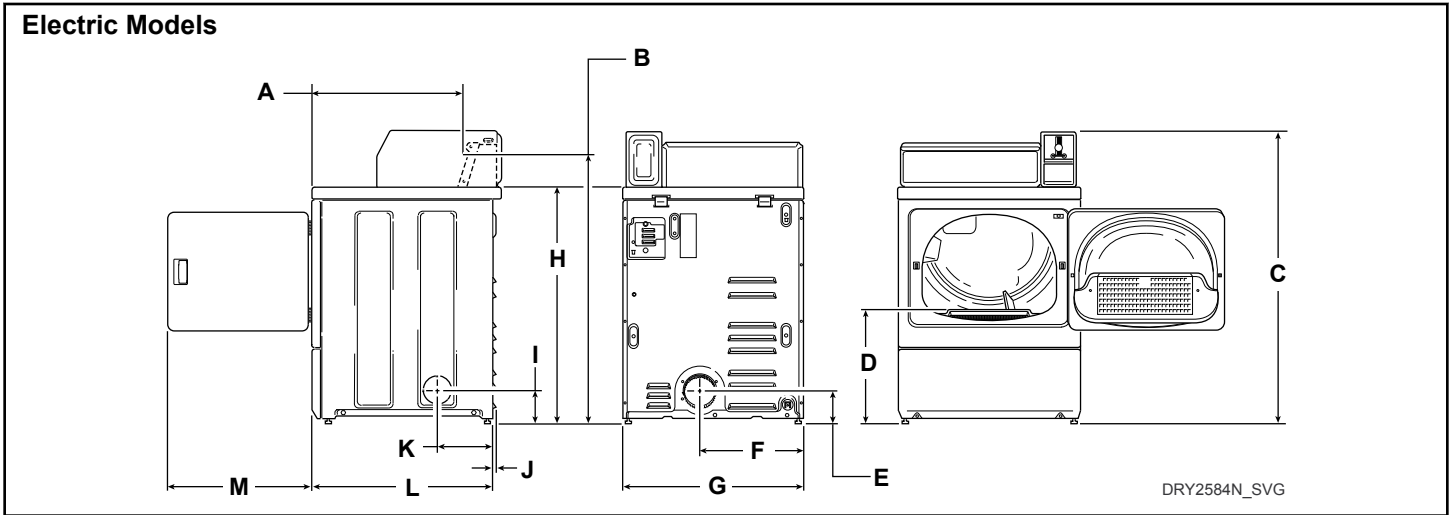
garment manufacturer and only use the dryer drum to dry textiles that have been washed in water.

- Always read and follow manufacturer's instructions on packages of laundry and cleaning aids. Heed all warnings or precautions. To reduce the risk of poisoning or chemical burns, keep them out of reach of children at all times (preferably in a locked cabinet).
- Do not use fabric softeners or products to eliminate static unless recommended by the manufacturer of the fabric softener or product.
- Remove laundry immediately after the dryer stops.
- DO NOT operate the dryer if it is smoking, grinding or has missing or broken parts or removed guards and/or panels. DO NOT tamper with the controls or bypass any safety devices.
- DO NOT operate individual units if they have been separated from a stack unit.
- Dryer will not operate with the loading door open. DO NOT bypass the door safety switch by permitting the dryer to operate with the door open. The dryer will stop tumbling when the door is opened. Do not use the dryer if it does not stop tumbling when the door is opened or starts tumbling without pressing the START mechanism. Remove the dryer from use and call the service person.
- ALWAYS clean the lint filter after every load. A layer of lint in the filter reduces drying efficiency and prolongs drying time. Keep area around the exhaust opening and adjacent surrounding area free from the accumulation of lint, dust and dirt. The interior of the dryer and the exhaust duct should be cleaned periodically by qualified service personnel.
- Do not repair or replace any part of the dryer, or attempt any servicing unless specifically recommended in the user-maintenance instructions or in published user-repair instructions that you understand and have the skills to carry out. ALWAYS disconnect the electrical power to the dryer before attempting service. Disconnect the power cord by grasping the plug, not the cord.
- Electric Models: If supply cord is damaged, it must be replaced by a special cord or assembly available from the manufacturer or its service agent.
- Gas Models: If supply cord is damaged, it must be replaced by the manufacturer, its service agent or similarly qualified persons in order to avoid a hazard.
- Before the dryer is removed from service or discarded, remove the door to the drying compartment.
- Failure to install, maintain, and/or operate this machine according to the manufacturer's instructions may result in conditions which can produce bodily injury and/or property damage.

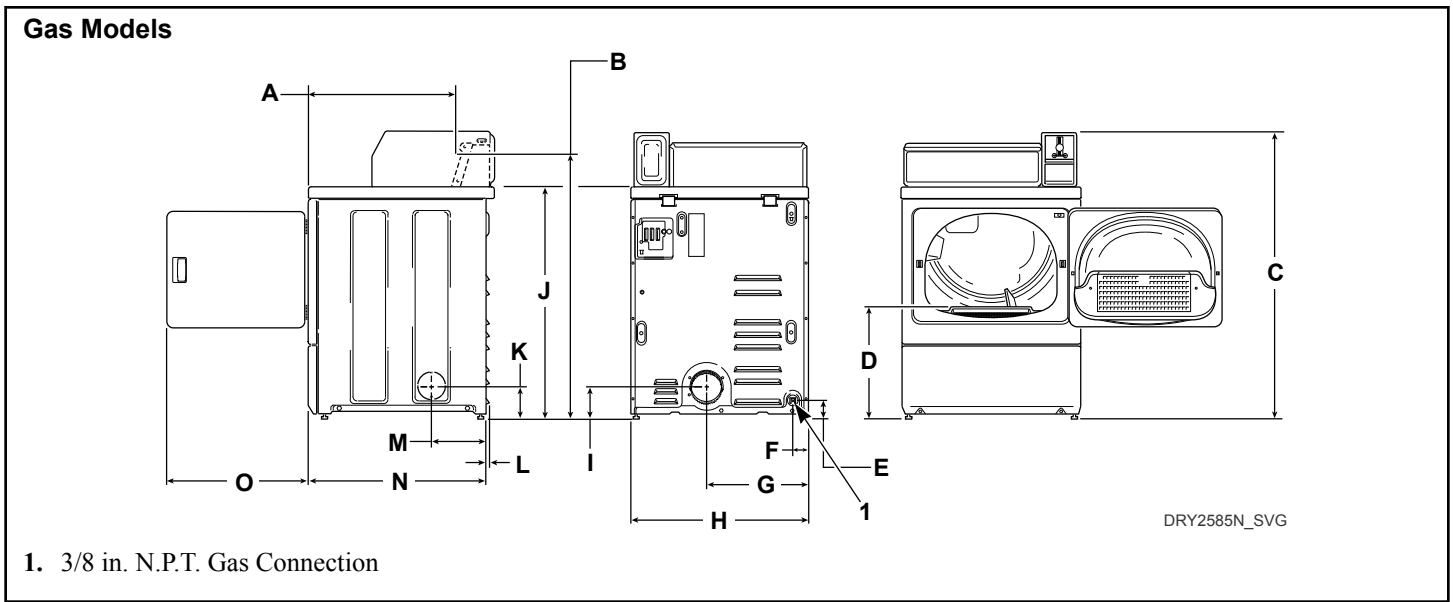
NOTE: The WARNING and IMPORTANT SAFETY INSTRUCTIONS appearing in this manual are not meant to cover all possible conditions and situations that may occur. Observe and be aware of other labels and precautions that are located on the machine. They are intended to provide instruction for safe use of the machine. Common sense, caution and care must be exercised when installing, maintaining, or operating the dryer.

Always contact your dealer, distributor, service agent or the manufacturer about any problems or conditions you do not understand.

Dimensions



A	560 mm [22.06 in.]
B	*970 mm [38.19 in.]
C - Standard Capacity Meter Case	*1092 mm [43 in.]
C - High Capacity Meter Case	*1114 mm [43.875 in.]
D	*392 mm [15.44 in.]
E	*102 mm [4 in.]
F	391 mm [15.4 in.]
G	683 mm [26.875 in.]
H	*914 mm [36 in.]
I	*114 mm [4.5 in.]
J	10 mm [0.4 in.]
K	203 mm [8 in.]
L	711 mm [28 in.]
M	597 mm [23.5 in.]
NOTE: Exhaust openings are 102 mm [4 inch] metal ducting.	* With leveling legs turned into base.



A	560 mm [22.06 in.]
B	*970 mm [38.19 in.]
C - Standard Capacity Meter Case	*1092 mm [43 in.]
C - High Capacity Meter Case	*1114 mm [43.875 in.]
D	*392 mm [15.44 in.]
E	*70 mm [2.8 in.]
F	60 mm [2.3 in.]
G	391 mm [15.4 in.]
H	683 mm [26.875 in.]
I	*102 mm [4 in.]
J	*914 mm [36 in.]
K	*114 mm [4.5 in.]
L	10 mm [0.4 in.]
M	203 mm [8 in.]
N	711 mm [28 in.]
O	597 mm [23.5 in.]
NOTE: Exhaust openings are 102 mm [4 inch] metal ducting.	* With leveling legs turned into base.

NOTE: Gas models cannot be vented out left side of cabinet because of burner housing.

IMPORTANT: The dryer should have sufficient clearance around it for needed ventilation and for the ease of installation and servicing. For maximum drying performance, we recommend that more clearance be allowed around the dryer than the clearances that are listed throughout this manual.

Installation

Before You Start

Tools

For most installations, the basic tools you will need are:

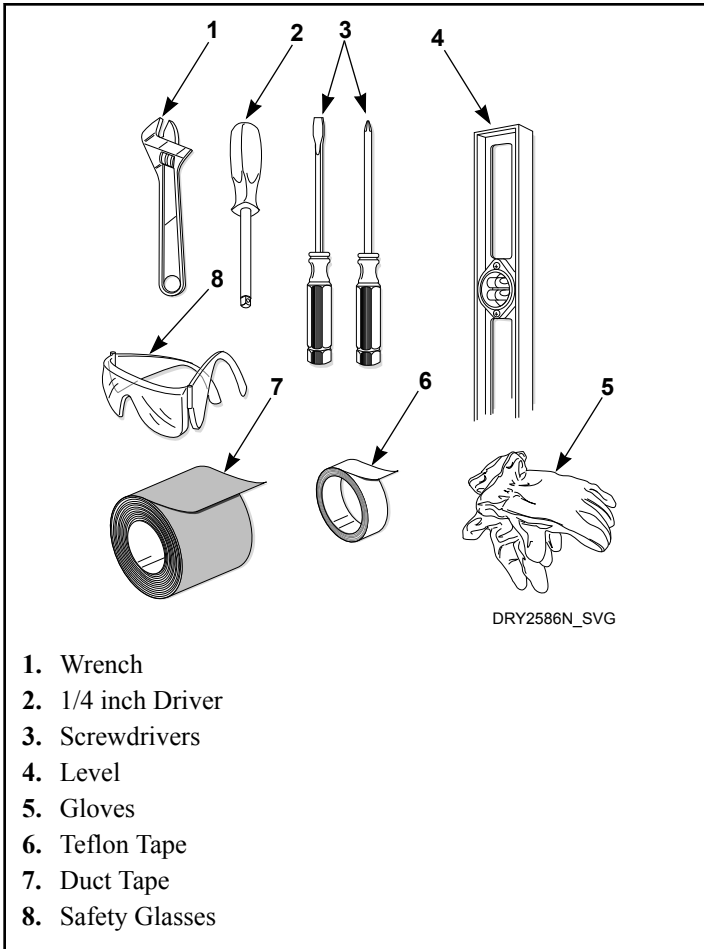


Figure 1

NOTE: An 203 mm [8 in.] coin drawer is required for coin drop operated models.

NOTE: This appliance is suitable for use in countries having a warm, damp climate.

	WARNING
Any disassembly requiring the use of tools must be performed by a suitably qualified service person.	
W299	

Models Prepped for Card Reader

The machine is shipped from the factory with the Electronic Control Diagnostic Harness Assembly unplugged. To avoid unauthor-

ized manual programming or vending, perform the following steps.

1. Open control panel.
2. Locate diagnostic harness on electronic control.
3. Plug connectors for “white/black” wire and “red/blue” wire together.

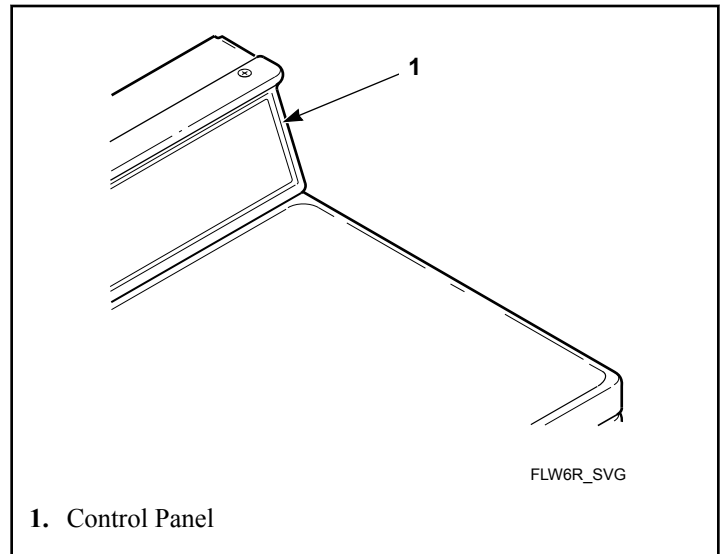


Figure 2

Order of Installation Steps

1. Position and level the dryer.
2. Connect dryer to exhaust system.
3. For gas models only, connect the gas supply pipe. Check for gas leaks.
4. For electric models only, connect the electrical cord.
5. Reverse the door, if desired.
6. Wipe out the inside of the dryer.
7. Plug in the dryer.
8. Recheck steps.
9. Start and run the dryer in a heat setting to verify dryer is heating.

Position and Level the Dryer

1. Install dryer before washer. This allows room for attaching exhaust duct.
2. Install the four rubber feet (in accessories bag).
3. Select a location with a solid floor. Dryers installed in residential garages must be elevated 457 mm [18 inches] above the floor.

No other fuel burning appliance should be installed in the same closet with the dryer.

Installation

The dryer must not be installed or stored in an area where it will be exposed to water and/or weather.

The dryer needs sufficient clearance and an adequate air supply for proper operation and ventilation, and for easier installation and servicing. (Minimum clearances are shown in *Figure 4*).

4. Place the dryer in position, and adjust the legs until the dryer is level from side to side and front to back. Leveling legs can be adjusted from inside the dryer with a 1/4 in. driver.
5. All four legs must rest firmly on the floor so the weight of the dryer is evenly distributed. The dryer must not rock.

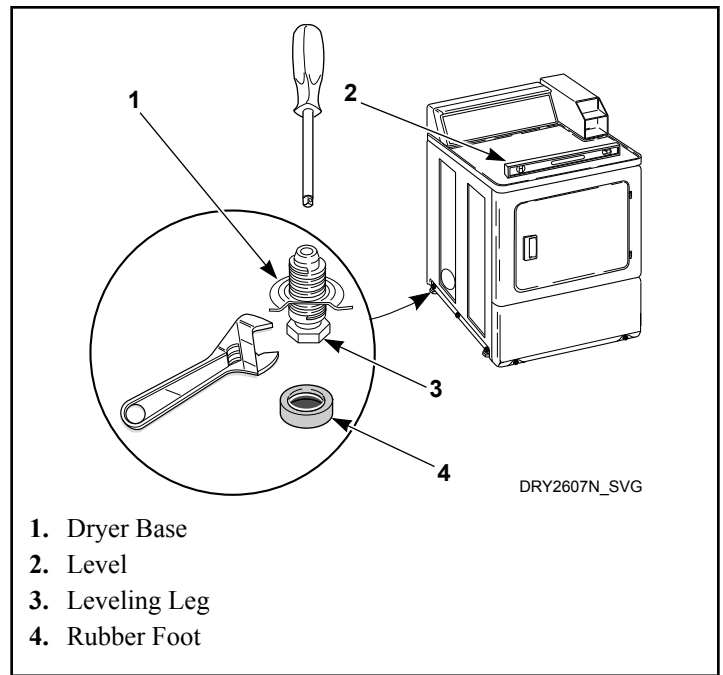
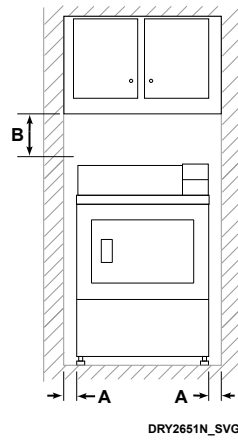
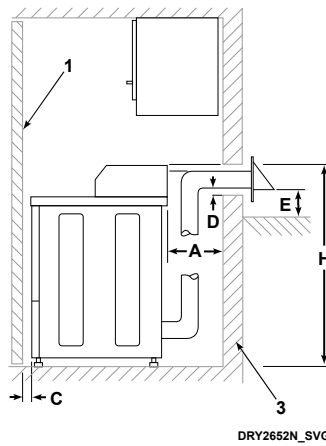


Figure 3

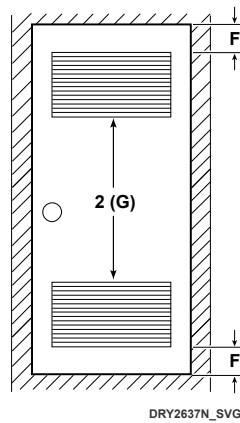
Front View (Without Closet Door)



Side View (Closet Door)



Front View (Closet Door)



- 1. Closet Door
- 2. Centered Air Openings (G) (2 Openings minimum)
- 3. Outer Wall of Enclosure

Figure 4


Area	Description	Free Standing/Alcove Installation	Closet Installation
A*	Dryer sides and rear clearance	0 mm [0 in.]	0 mm [0 in.]
B	Dryer top clearance	305 mm [12 in.]	305 mm [12 in.]
C	Dryer front clearance	Not Applicable	51 mm [2 in.]
D	Exhaust duct clearance to combustible material	51 mm [2 in.]	51 mm [2 in.]
E	Weather hood to ground clearance	305 mm [12 in.]	305 mm [12 in.]
F	Distance from floor or ceiling to air opening edge	Not Applicable	76 mm [3 in.]
G	Area of centered air openings in closet door. Louvered door with equivalent air openings is acceptable. (Minimum clearances are shown.)	Not Applicable	1016 sq. mm/open [40 sq. in./open]
H	For new installations, it is suggested to locate top of wall vent 1067 mm [42 inches] above floor to make venting easier to connect.	1067 mm [42 in.]	1067 mm [42 in.]
*	Rear clearance is minimum. 51 mm [2 inches] is recommended for utility connection. 152 mm [6 inches] is recommended when venting through rear of unit.		


Table 1


IMPORTANT: In mobile home installations, gas dryers MUST be permanently attached to the floor at the time of installation. Order No. 526P3 Hold Down Kit (available at extra cost) for a manufactured (mobile) home installation. Follow the instructions supplied with the kit.


Installation of unit must conform to the Manufactured Home Construction and Safety Standards, Title 24 CF4, Part 32-80 or Standard CAN/CSA-Z240 MH.


Connect Dryer Exhaust System


	WARNING
<p>To reduce the risk of fire and combustion gas accumulation the dryer MUST be exhausted to the outdoors.</p>	
W604	

	WARNING
<p>To reduce the risk of fire and the accumulation of combustion gases, DO NOT exhaust dryer air into a window well, gas vent, chimney or enclosed, unventilated area, such as an attic, wall, ceiling, crawl space under a building or concealed space of a building.</p>	
W045	

	WARNING
<p>This gas appliance contains or produces a chemical or chemicals which can cause death or serious illness and which are known to the State of California to cause cancer, birth defects, or other reproductive harm. To reduce the risk from substances in the fuel or from fuel combustion, make sure this appliance is installed, operated, and maintained according to the instructions in this manual.</p>	
W115	

	WARNING
<p>To reduce the risk of fire, DO NOT use plastic or thin foil ducting to exhaust the dryer.</p>	
W354	

	WARNING
<p>To reduce the risk of fire, the exhaust duct and weather hood MUST be fabricated of a material that will not support combustion. Rigid or flexible metal pipe is recommended for a clothes dryer.</p>	
W048	

	WARNING
<p>To reduce the risk of fire due to increased static pressure, we do not recommend installation of in-line secondary lint filters or lint collectors. If secondary systems are mandated, frequently clean the system to assure safe operation.</p>	
W749	

IMPORTANT: Installing in-line filters or lint collectors will cause increased static pressure. Failure to maintain the secondary lint system will decrease dryer efficiency and will void machine warranty.

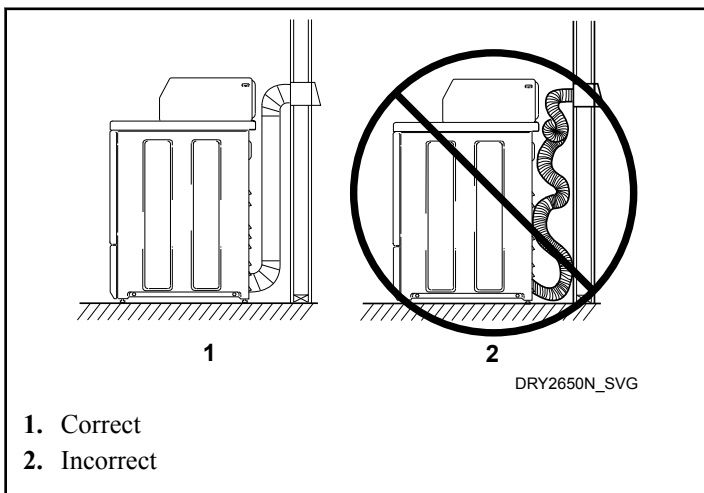


Figure 5

- DO NOT use plastic, thin foil or type B ducting. Rigid metal duct is recommended.
- Locate dryer so exhaust duct is as short as possible.
- Be certain old exhaust ducts are cleaned before installing your new dryer.
- Use 102 mm [4 inch] diameter rigid or flexible metal duct.

- The male end of each section of duct must point away from the dryer.
- Use as few elbows as possible.
- Use of duct tape or pop-rivets on all seams and joints is recommended, if allowed by local codes. DO NOT use sheet metal screws or fasteners on exhaust pipe joints which extend into the duct and catch lint.
- Ductwork that runs through unheated areas must be insulated to help reduce condensation and lint build-up on pipe walls.
- Install backdraft dampers in multi-dryer installations.
- In mobile home installations, dryer exhaust duct must be secured to mobile home structure.
- Dryer exhaust duct **MUST NOT** terminate under mobile home.
- Exhaust duct must not be connected to any other duct, vent, or chimney.
- Dryer exhausts 220 cfm per unit (measured at back of dryer).
- DO NOT install flexible duct in concealed spaces, such as a wall or ceiling.
- Static pressure in exhaust duct should not be greater than 1.5 cm water column [0.6 inches water column], measured with manometer placed on exhaust duct 610 mm [2 feet] from dryer (check with dryer running and no load). In multi-dryer installations, all dryers connected to the main collector duct should be operating when pressure is checked.
- Exhausting dryer in hard-to-reach locations can be done by installing 521P3 Flexible Metal Vent Kit (available as optional equipment at extra cost).
- Sufficient make-up air must be supplied to replace the air exhausted by the dryer. The free area of any opening for outside air must be at least 25806 mm² [40 in.²] per unit.
- Energy efficient buildings with low air infiltration rates should be equipped with an air exchanger that can accommodate on demand make-up air needs in the laundry room. These devices can be obtained through your building contractor or building material suppliers.
- Do not draw make-up air from a room containing a gas fired water heater, a dry cleaner or a hair salon.
- Failure to exhaust dryer properly will void warranty.
- A dryer will dissipate 681,392 J/m² [60 Btu/ft²] of surface area exposed to the conditioned air.

NOTE: Venting materials are not supplied with the dryer (obtain locally).

IMPORTANT: DO NOT block the airflow at the bottom of the dryer's front panel with laundry, rugs, etc. Blockage will decrease airflow through the dryer, thus reducing the efficiency of the dryer.

Exhaust Direction

The dryer can be exhausted to the outdoors through the back, left, right or bottom of the dryer. EXCEPTION: Gas dryers cannot be vented out the left side because of the burner housing.

Dryer is shipped from factory ready for rear exhaust.

Installation

Exhausting the dryer through sides or bottom can be accomplished by installing a Directional Exhaust Kit, 528P3, available as optional equipment at extra cost.

Exhaust System

For best drying results, recommended maximum length of exhaust system is shown in *Table 2*.

To prevent backdraft when dryer is not in operation, outer end of exhaust pipe must have a weather hood with hinged dampers (obtain locally).

NOTE: Weather hood should be installed at least 305 mm [12 inches] above the ground. Larger clearances may be necessary for installations where heavy snow-fall can occur.

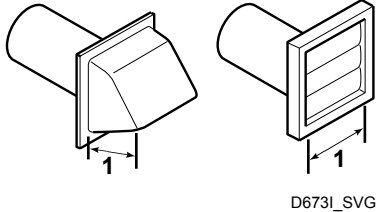
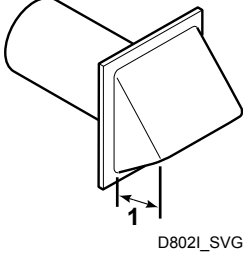
Number of 90° Elbows	Weather Hood Type	
	Recommended	Use Only for Short Run Installations
	 <p>1. 102 mm [4 in.]</p>	 <p>1. 64 mm [2.5 in.]</p>
Maximum length of 102 mm [4 in.] diameter rigid metal duct.		
0	19.8 m [65 feet]	16.8 m [55 feet]
1	16.8 m [55 feet]	14.3 m [47 feet]
2	14.3 m [47 feet]	12.5 m [41 feet]
3	11.0 m [36 feet]	9.1 m [30 feet]
4	8.5 m [28 feet]	6.7 m [22 feet]

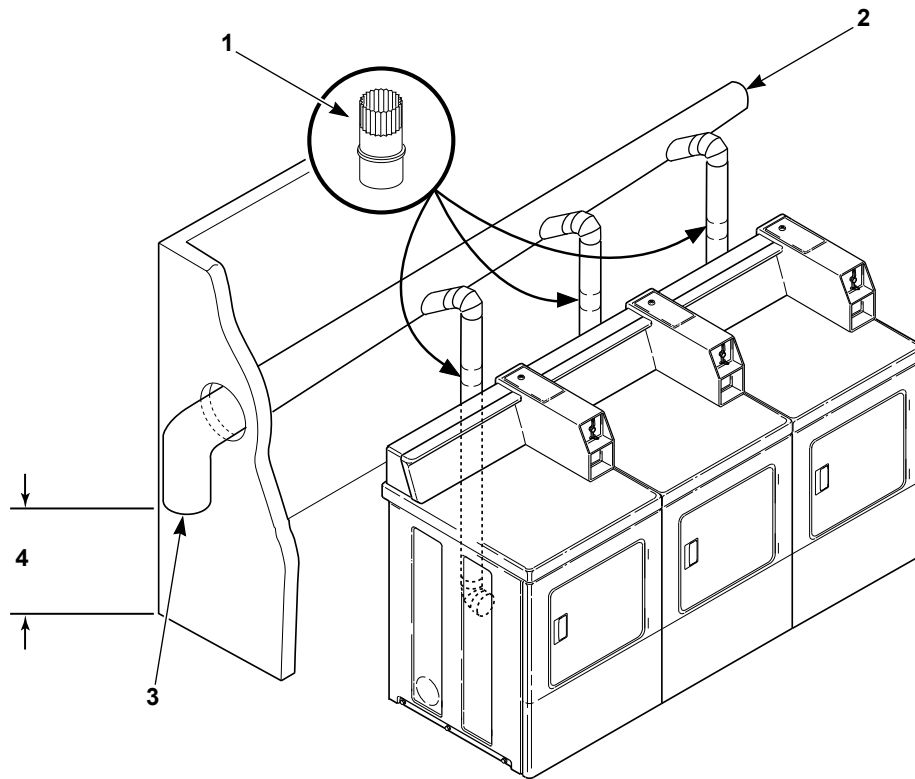
Table 2

NOTE: Deduct 1.8 m [6 feet] for each additional elbow.

NOTE: The maximum length of a 102 mm [4 in.] diameter flexible metal duct must not exceed 2.4 m [7.87 ft.], as required to meet UL2158, clause 7.3.2.A.

Multi-Dryer Installation Exhaust Requirements

Figure 6 shows a typical example of a multiple dryer installation. Note how each dryer has its own exhaust system vented to the central exhaust duct.



DRY2358N_SVG

1. 58786 Backdraft Damper (Available through your local authorized parts source)
2. Clean Out Cover (Must be provided). Inspect monthly.
3. Weather Hood or Sweep Elbow (No cap or screen)
4. 610 mm [24 in.] Minimum Clearance to Roof/Ground

Figure 6

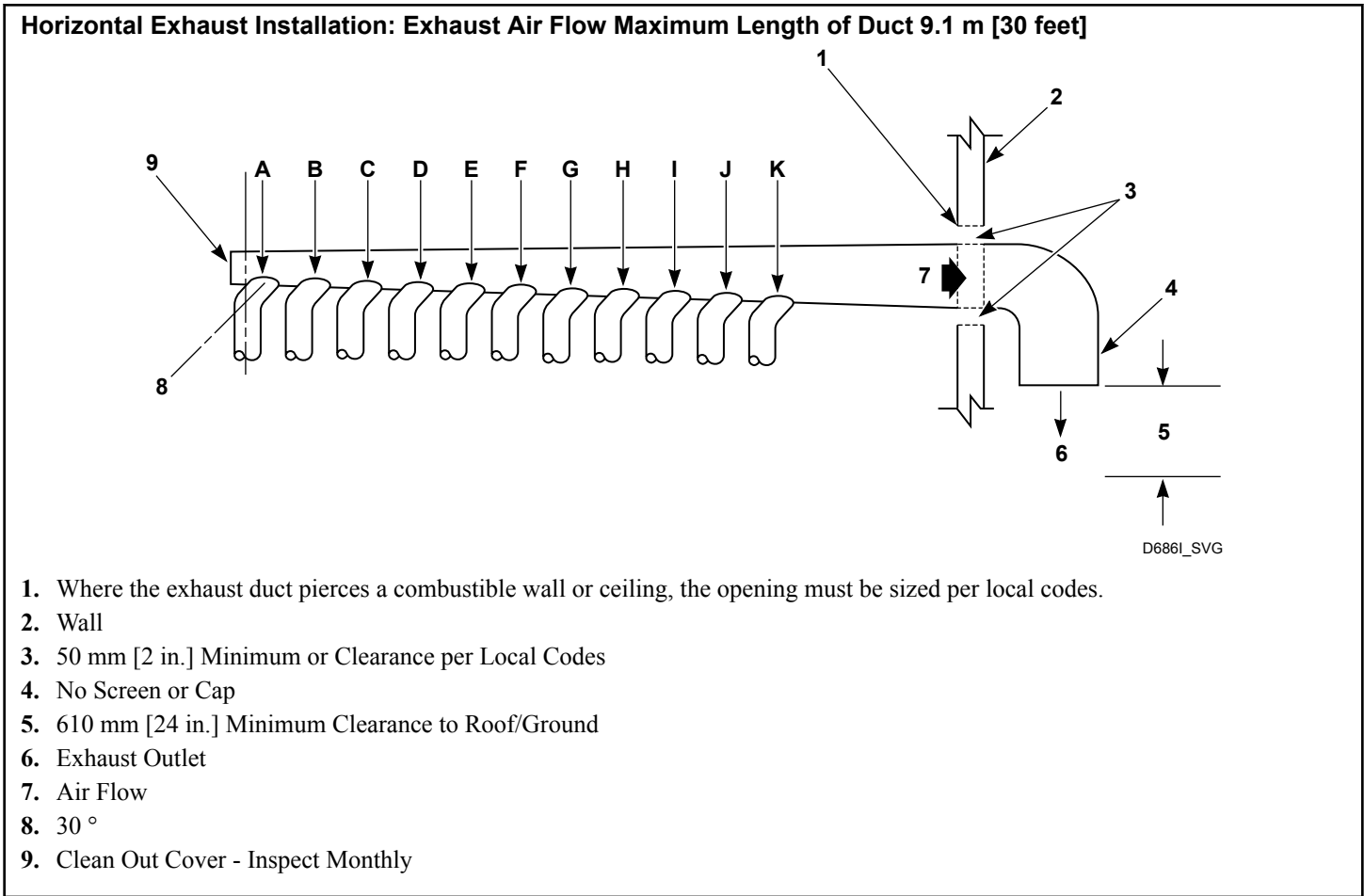


Figure 7

Duct Station	Minimum Diameter of Collector Duct
A	102 mm [4 inches]
B	203 mm [8 inches]
C	229 mm [9 inches]
D	254 mm [10 inches]
E	279 mm [11 inches]
F	305 mm [12 inches]
G	326 mm [13 inches]
H	356 mm [14 inches]
I	381 mm [15 inches]
J	381 mm [15 inches]
K	406 mm [16 inches]

Table 3

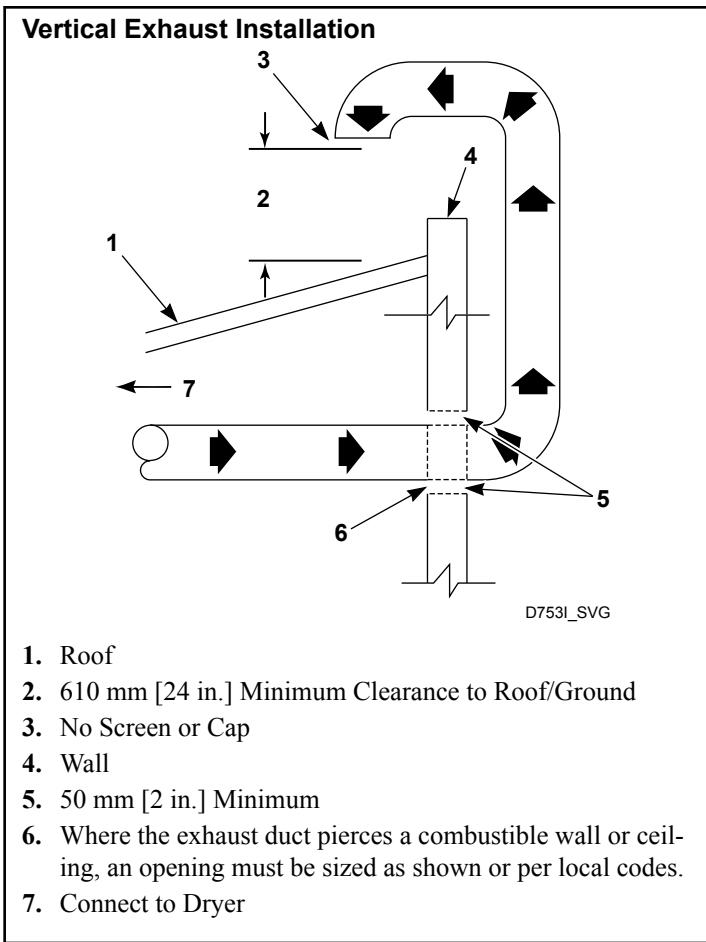


Figure 8

WARNING

To reduce the risk of fire and the accumulation of combustion gases, DO NOT exhaust dryer air into a window well, gas vent, chimney or enclosed, unventilated area, such as an attic, wall, ceiling, crawl space under a building or concealed space of a building.

W045

A Backdraft Damper, Part No. 58786 (obtain locally), should be installed in a 102 mm [4 inch] diameter VERTICAL duct system. This will prevent a backdraft when dryer is not in use, and will keep the exhaust air in balance within the central exhaust system.

Gas Dryers - Connect Gas Supply Pipe

WARNING

To reduce the risk of gas leaks, fire or explosion:

- The dryer must be connected to the type of gas as shown on nameplate located in the door recess.
- Use a new flexible stainless steel connector.
- Use pipe joint compound insoluble in L.P. (Liquefied Petroleum) Gas, or Teflon tape, on all pipe threads.
- Purge air and sediment from gas supply line before connecting it to the dryer. Before tightening the connection, purge remaining air from gas line to dryer until odor of gas is detected. This step is required to prevent gas valve contamination.
- Do not use an open flame to check for gas leaks. Use a non-corrosive leak detection fluid.
- Any disassembly requiring the use of tools must be performed by a suitably qualified service person.

W316

1. Make certain your dryer is equipped for use with the type of gas in your laundry room. Dryer is equipped at the factory for Natural Gas with a 3/8 inch NPT gas connection.

NOTE: The gas service to a gas dryer must conform with the local codes and ordinances, or in the absence of local codes and ordinances, with the latest edition of the National Fuel Gas Code ANSI Z223.1/ NFPA 54 or the CAN/CSA-B149.1 Natural Gas and Propane Installation Code.

Natural Gas, 37.3 MJ/m³ [1000 Btu/ft³], service must be supplied at minimum 5.0 inch water column pressure to maximum 10.5 inch water column pressure.

For proper operation at altitudes above 610 m [2000 feet] the natural gas valve spud orifice size must be reduced to ensure complete combustion. Refer to *Table 4*.

Natural Gas Altitude Adjustments			
Altitude	Orifice Size		Part Number
	m [feet]	#	
610 [2,000]	41	2.44 [0.0960]	D503776

Table 4 *continues...*

Natural Gas Altitude Adjustments			
Altitude	Orifice Size		Part Number
	m [feet]	#	
915 [3,000]	42	2.37 [0.0935]	D503777
1,680 [5,500]	43	2.26 [0.0890]	D503778
2,135 [7,000]	44	2.18 [0.0860]	58719
2,745 [9,000]	45	2.08 [0.0820]	D503779
3,200 [10,500]	46	2.06 [0.0810]	D503780

Table 4

- Remove the shipping cap from the gas connection at the rear of the dryer. Make sure you do not damage the pipe threads when removing the cap.

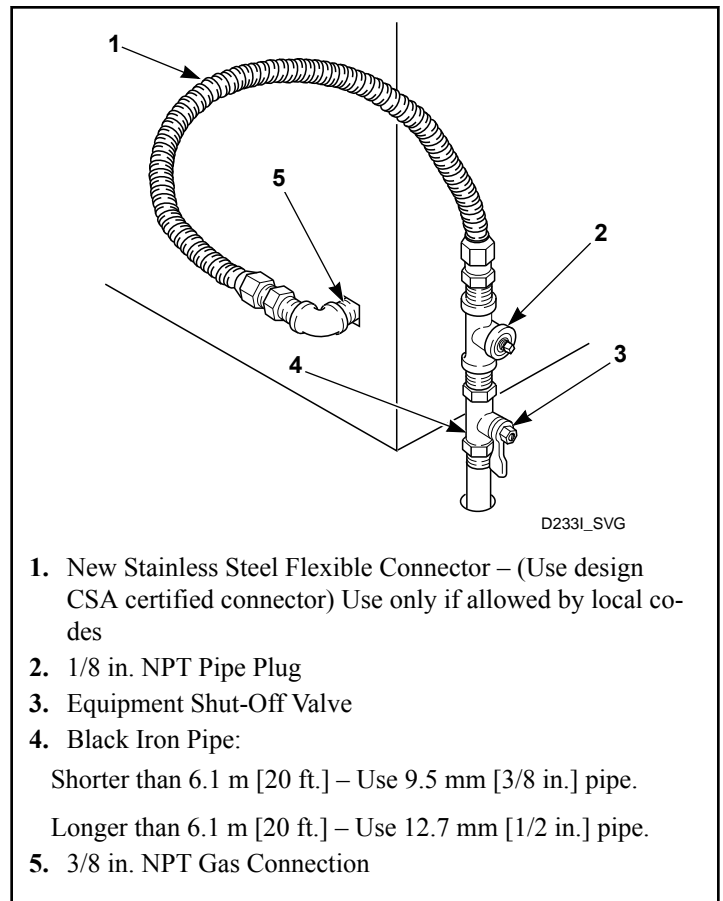
NOTE: If gas supply connection is British Standard Pipe Tapered thread (BSPT), order 44178804 brass female NPT (FPT) to male BSPT gas pipe thread adapter, available at extra cost.

- Connect to gas supply pipe using thread sealant or Teflon tape. Torque 10.2 - 19.7 Nm [90 - 175 inch-pounds].

NOTE: The connection of gas supply to the appliance shall be made with a flexible hose suitable for the appliance category in accordance with national installation regulations of the country of destination. If in doubt contact the dryer distributor or manufacturer.

NOTE: When connecting to a gas line, an equipment shut-off valve in accordance with the National Fuel Gas Code, ANSI Z223.1/NFPA 54 and the Natural Gas and Propane Installation Code, CSA B149.1 must be installed within 1.8 m [6 feet] of the dryer. An 1/8 in. NPT pipe plug must be installed as shown for checking inlet pressure. Refer to Figure 9.

Starting Serial No. 1908000001, the following must be furnished and installed by the customer for the gas service line to dryer: Union at gas supply connection (listed to ANSI Z21.24 and CSA 6.10).



- New Stainless Steel Flexible Connector – (Use design CSA certified connector) Use only if allowed by local codes
- 1/8 in. NPT Pipe Plug
- Equipment Shut-Off Valve
- Black Iron Pipe:
Shorter than 6.1 m [20 ft.] – Use 9.5 mm [3/8 in.] pipe.
Longer than 6.1 m [20 ft.] – Use 12.7 mm [1/2 in.] pipe.
- 3/8 in. NPT Gas Connection

Figure 9

- Tighten all connections securely but don't overtighten to avoid breaking or bending the gas valve bracket. Turn on gas and check all pipe connections (internal & external) for gas leaks with a non-corrosive leak detection fluid.

NOTE: The dryer and its appliance main gas valve must be disconnected from the gas supply piping system during any pressure testing of that system at test pressures in excess of 3.45 kPa [1/2 psi]. Refer to Check Heat Source.

NOTE: DO NOT connect the dryer to L.P. Gas Service without converting the gas valve. Install L.P. Gas Conversion Kit 458P3, available at extra cost.

L.P. (Liquefied Petroleum) Gas, 93.1 MJ/m³ [2500 Btu/ft.³], service must be supplied at 10 ± 1.5 inch water column pressure.

For proper operation at altitudes above 1070 m [3500 feet] the L.P. gas valve spud orifice size must be reduced to ensure complete combustion. Refer to Table 5.

L.P. Altitude Adjustments			
Altitude	Orifice Size		Part No.
	m [feet]	No.	
1070 [3500]	54	1,40 [0.0550]	D503785
2290 [7500]	55	1.32 [0.0520]	58755
3355 [11000]	56	1.18 [0.0465]	D503786


Table 5

Electric Dryer Only - Connect Electrical Plug

Dryer requires 120/240 Volt or 120/208 Volt, 60 Hertz, 3 or 4 wire electrical supply. Refer to serial plate for specific electrical requirements.

IMPORTANT: Use only a new U.L. listed No. 10 (copper wire only) three or four conductor power supply cord kit rated 240 Volts (minimum) 30 Amperes and labeled as suitable for use in a clothes dryer.


NOTE: The wiring diagram is located in the control hood.

	WARNING
<p>To reduce the risk of fire, electric shock, serious injury or death, all wiring and grounding MUST conform with the latest edition of the National Electrical Code, ANSI/NFPA 70, or the Canadian Electrical Code, CSA C22.1, and such local regulations as might apply. It is the customer's responsibility to have the wiring and fuses installed by a qualified electrician to make sure adequate electrical power is available to the dryer.</p>	
W521	

Earth/Ground Information

This appliance must be properly connected to protective earth/ground. In the event of malfunction or breakdown, the earth/ground will reduce the risk of electric shock by providing a path of least resistance for electric current.

The cord-kit must be equipped with a cord having an equipment-earth/ground conductor and an earth/ground plug. The plug must be plugged into an appropriate outlet that is properly installed and connected to a protective earth/ground in accordance with all local codes and ordinances.

	WARNING
<p>Improper connection of the equipment earth/ground conductor can result in a risk of electric shock. Check with a qualified electrician or service person if you are in doubt as to whether the dryer is properly connected to a protective earth/ground.</p>	
W886	

Do not modify the plug provided with the cord-kit - if it will not fit the outlet, have a proper outlet installed by a qualified electrician.

The dryer has its own terminal block that must be connected to a separate branch, 60 Hertz, single phase circuit, AC (alternating current) circuit, fused at 30 Amperes (the circuit must be fused on both sides of the line). Electrical service for the dryer should be of maximum rated voltage (208 or 240 Volt, depending on heating element) listed on the serial plate. Do not connect dryer to 110, 115, or 120 Volt circuit.

Heating elements are available for field installation in dryers which are to be connected to electrical service of different voltage than that listed on serial plate, such as 208 Volt.

NOTE: Branch circuit wire size requirements to laundry room outlet are shown in table below.

Wire Length	Wire
Less than 4.5 m [15 ft.]	Listed No. 10 AWG Copper wire only
Longer than 4.5 m [15 ft.]	Listed No. 8 AWG Copper wire only

Table 6

The power cord connection between wall receptacle and dryer terminal block IS NOT supplied with dryer. Type of power cord and gauge of wire must conform to local codes.

IMPORTANT: Use only a new U.L. listed No. 10 (copper wire only) three or four conductor power supply cord kit rated 240 Volts (minimum) 30 Amperes and labeled as suitable for use in a clothes dryer.

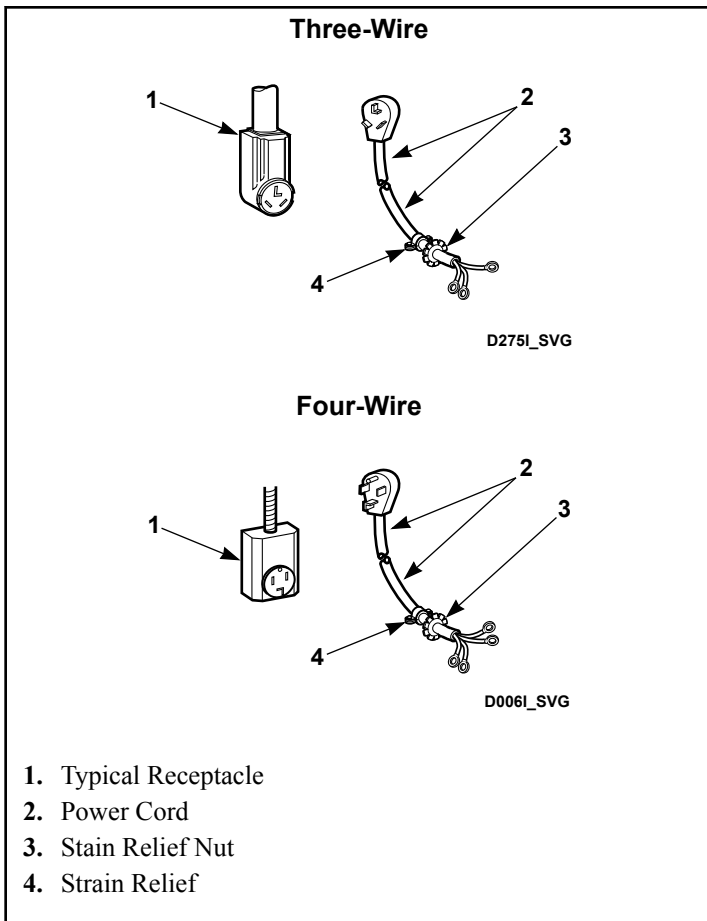


Figure 10

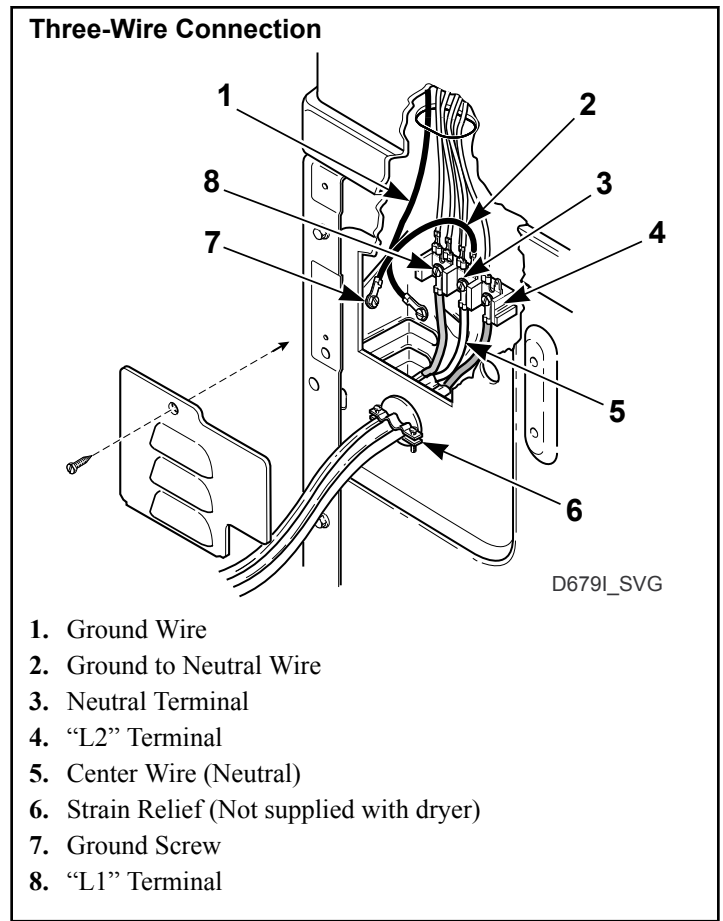


Figure 11

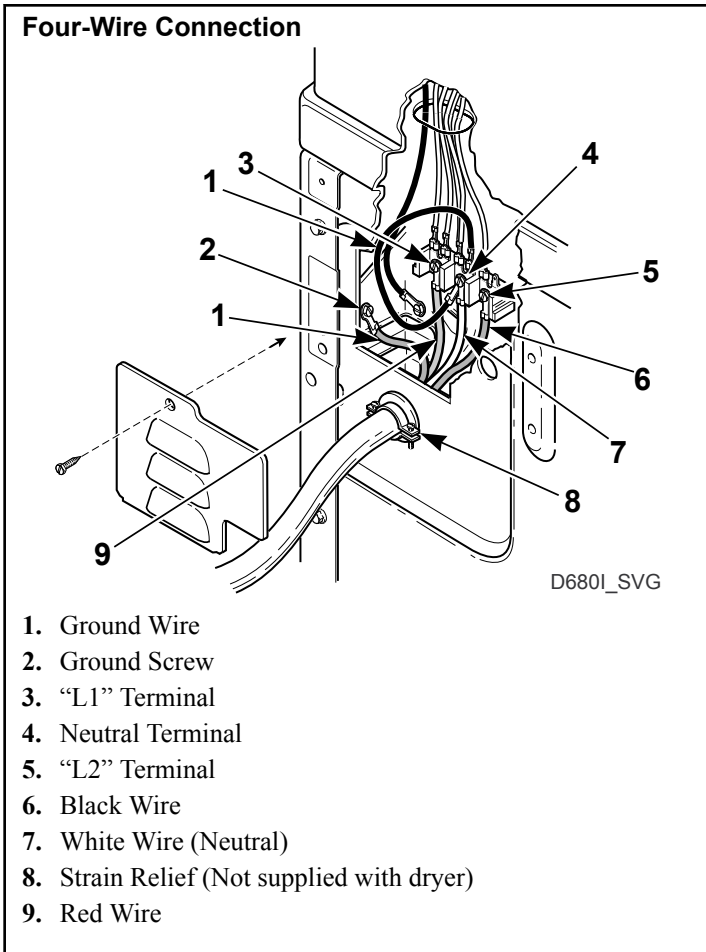


Figure 12

NOTE: Dryer is shown with access cover removed for illustration purposes only. **NEVER** operate the dryer with access cover removed.

Connecting Power Cord with Three-Wire Plug

NOTE: Four-wire cord is required for new branch-circuit installations, mobile homes or where codes do not permit grounding through neutral.

NOTE: The power cord is **NOT** supplied with the electric dryer. Type of power cord and gauge of wire must conform to local codes and instructions. The method of wiring the dryer is optional and subject to local code requirements.

NOTE: Connect the dryer to the power supply with the **MAXIMUM RATED VOLTAGE** listed on the serial plate.

NOTE: Use **COPPER WIRE** only.

Shorter than 15 ft. (4.5 m) – use 10 AWG

Longer than 15 ft. (4.5 m) – use 8 AWG

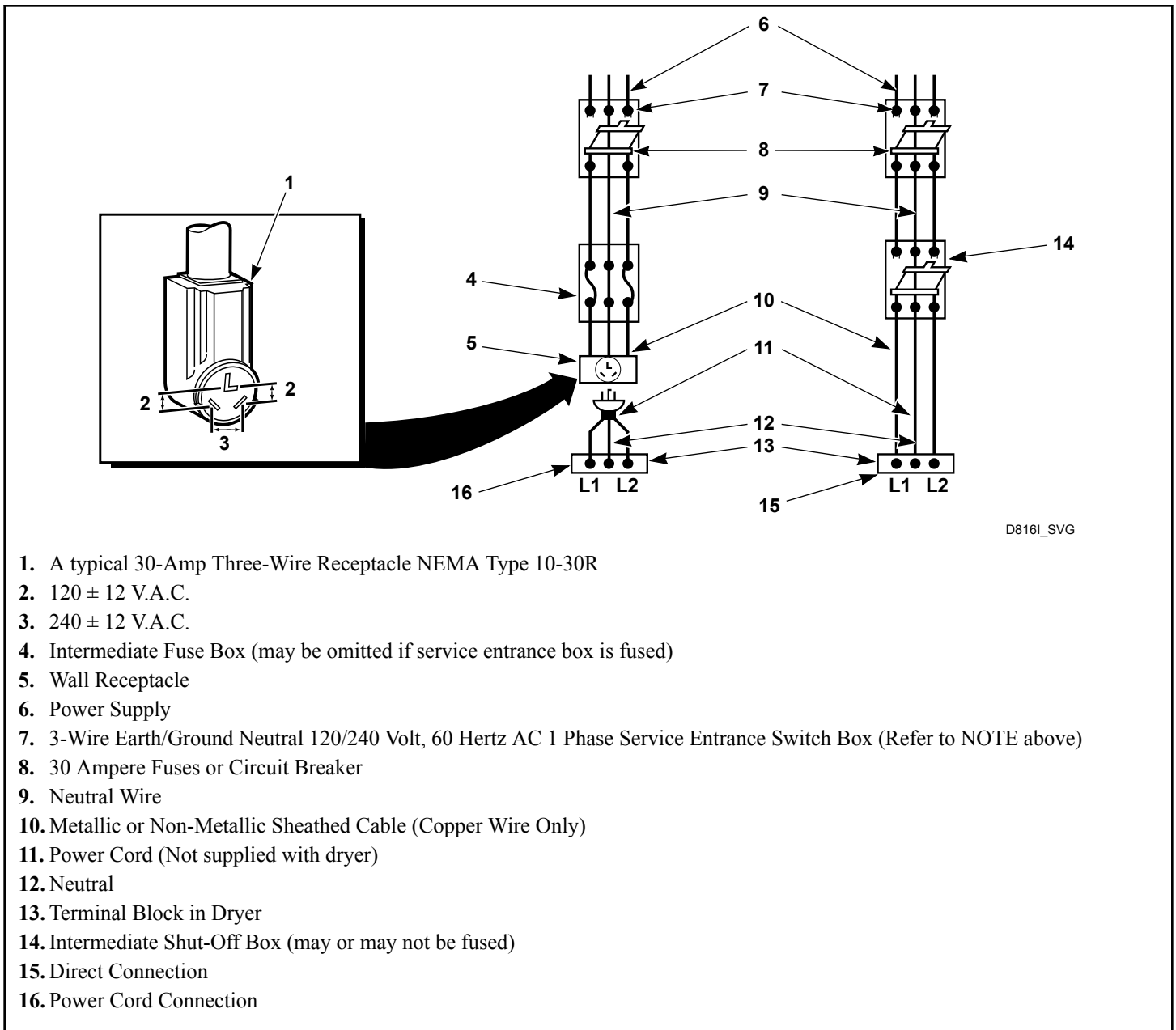


Figure 13

1. Disconnect power to dryer.
2. Remove access cover from rear of dryer.

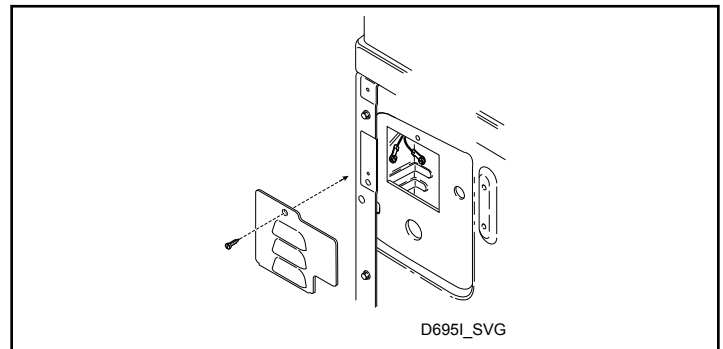


Figure 14

- Use a strain relief and insert end of power cord through power supply hole.

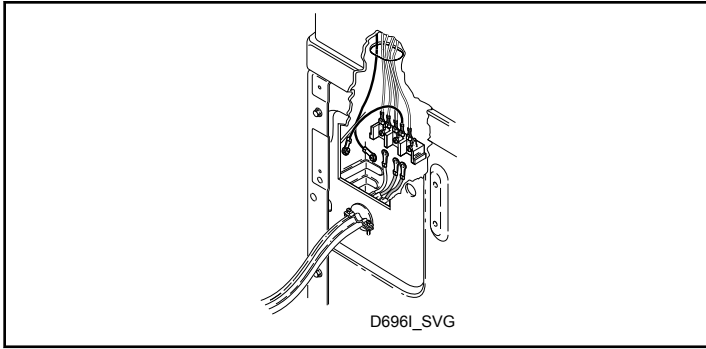


Figure 15

- Use the three screws from the accessories bag to attach the power cord wires to the terminal block. Refer to *Figure 16*.

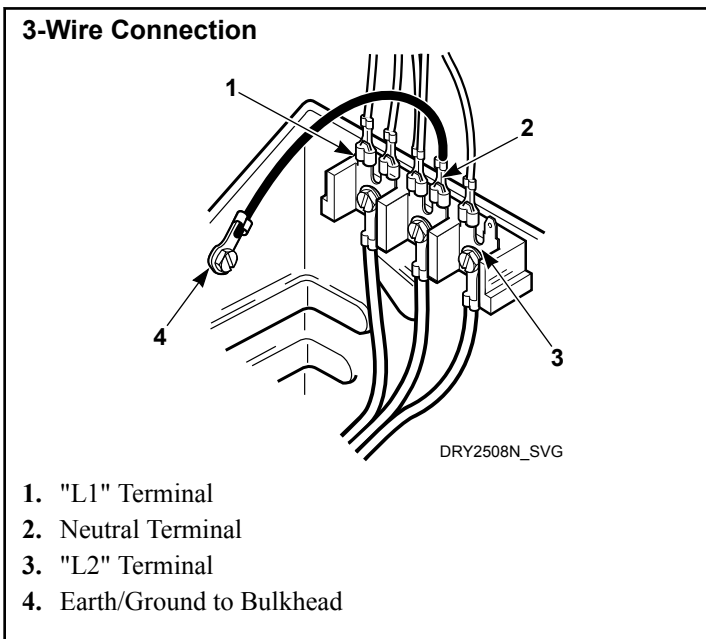


Figure 16

- Using a screwdriver, tighten all screws firmly.
IMPORTANT: Failure to tighten these screws firmly may result in wire failure at the terminal block.
- Secure the strain relief to the power cord, or wires, where they enter the dryer cabinet.
- Check the continuity of the earth/ground connection before plugging the cord into an outlet. Use an acceptable indicating device connected to the center earth/ground pin of the plug and the green screw on the back of the cabinet.
- Reinstall access cover and screw.

Connecting Power Cord with Four-Wire Plug

NOTE: Four-wire cord is required for new branch-circuit installations, mobile homes or where codes do not permit grounding through neutral.

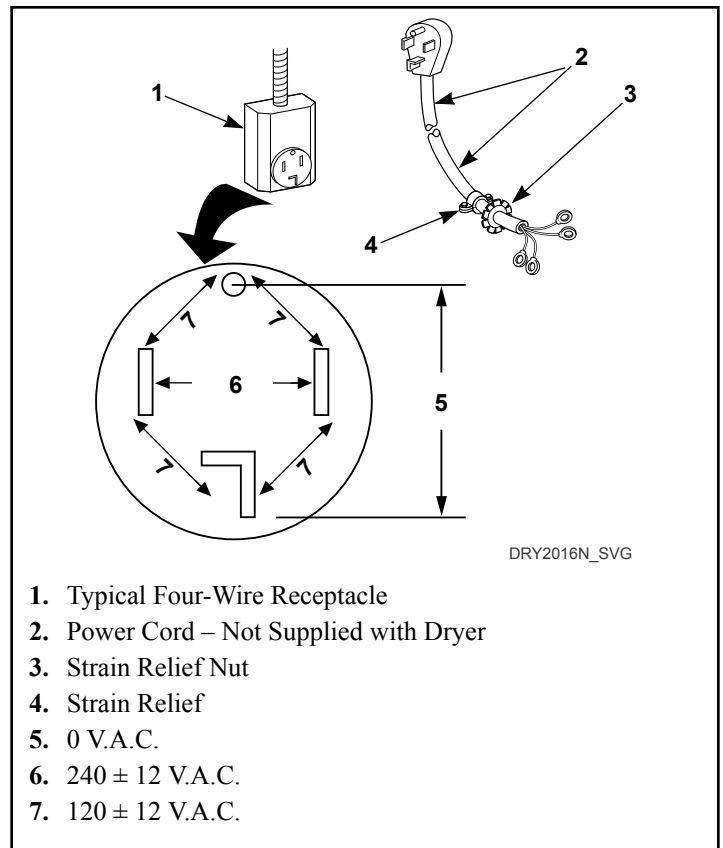


Figure 17

- Disconnect power to dryer.
- Remove access cover from rear of dryer.

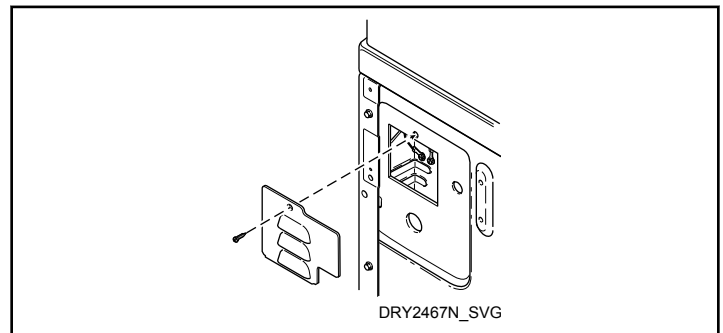


Figure 18

- Remove earth/ground screw from earth/ground to neutral wire and save for use in Step 5. Earth/ground to neutral wire will be attached to the neutral terminal in Step 6.

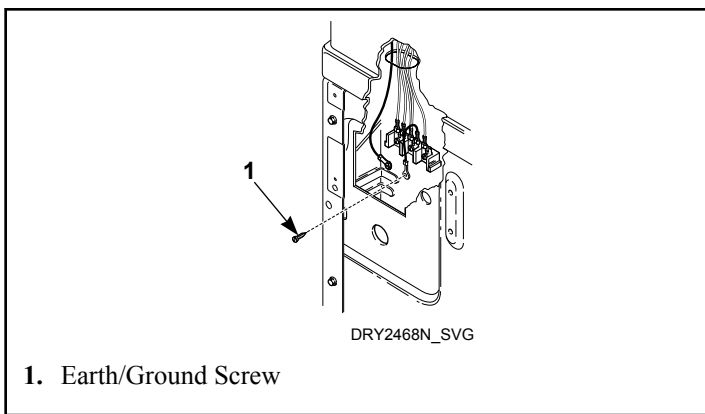


Figure 19

4. Use a strain relief and insert end of power cord through power supply hole.

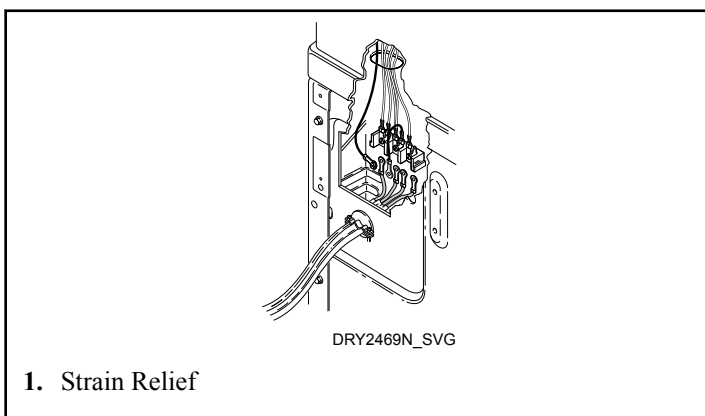


Figure 20

5. Attach power cord earth/ground (green) wire to rear bulkhead using earth/ground screw removed in Step 3.

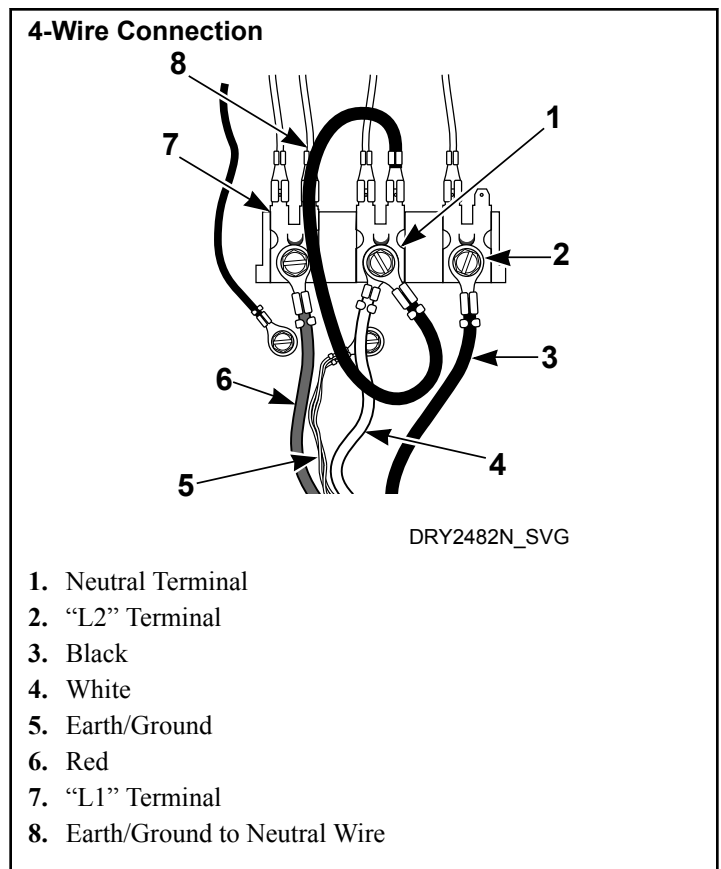


Figure 21

6. Use the three screws from the accessories bag to attach the remaining power cord wires to the terminal block as follows:
 - a. Red wire to "L1" terminal.
 - b. Black wire to "L2" terminal.
 - c. White wire to Neutral terminal.

NOTE: When installing the white wire, loop the free eyelet end of the earth/ground to neutral wire (removed in Step 3) and attach along with the white wire to the neutral (center) terminal on the terminal block.

7. Using a screwdriver, tighten all screws firmly.

IMPORTANT: Failure to tighten these screws firmly may result in wire failure at the terminal block.
8. Secure the strain relief to the power cord, or wires, where they enter the dryer cabinet.
9. Check the continuity of the earth/ground connection before plugging the cord into an outlet. Use an acceptable indicating device connected to the center earth/ground pin of the plug and the green screw on the back of the cabinet.
10. Reinstall access cover and screw.

Reverse Door, if Desired

NOTE: Doors with windows cannot be reversed.

The door on this dryer is completely reversible. To reverse door proceed as follows:

1. Remove four hinge attaching screws.

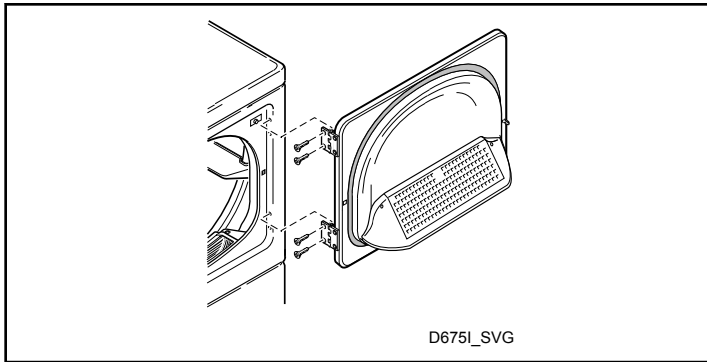


Figure 22

2. Remove all nine screws.

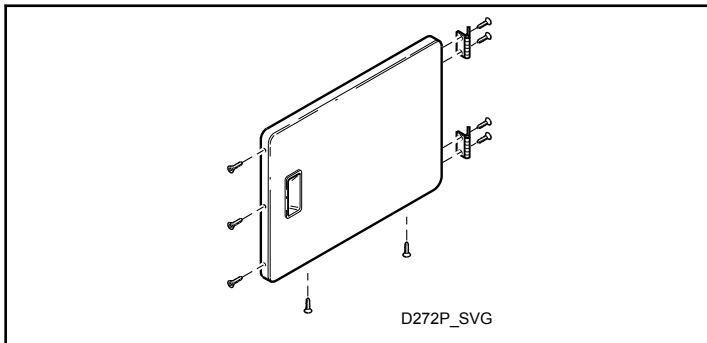


Figure 23

3. Pull bottom of door liner out, then pull down, removing door liner from door panel.

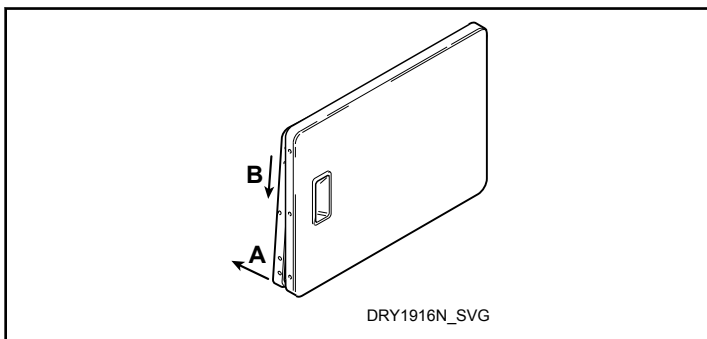


Figure 24

4. Rotate door panel 180 degrees as shown.

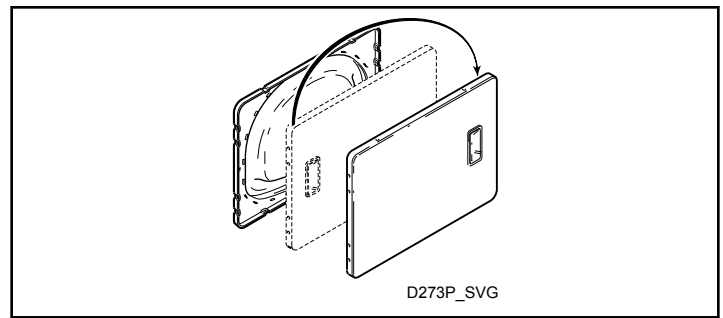


Figure 25

5. Remove door strike from door liner and reinstall on opposite side.

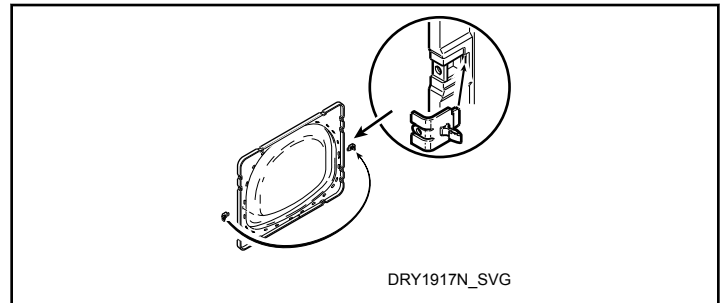


Figure 26

6. Insert liner under flange on bottom of door, then push top of door liner into place.

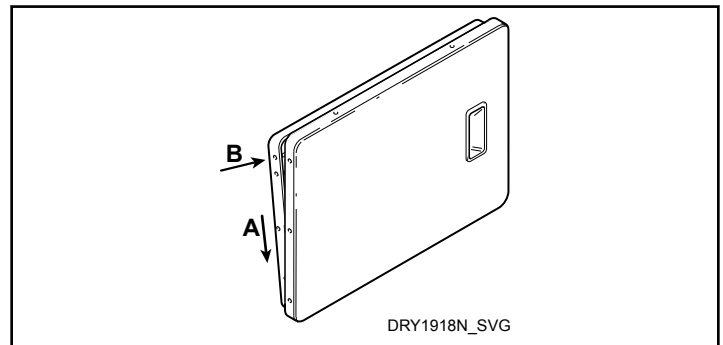


Figure 27

7. Reinstall nine screws removed in Step 2.

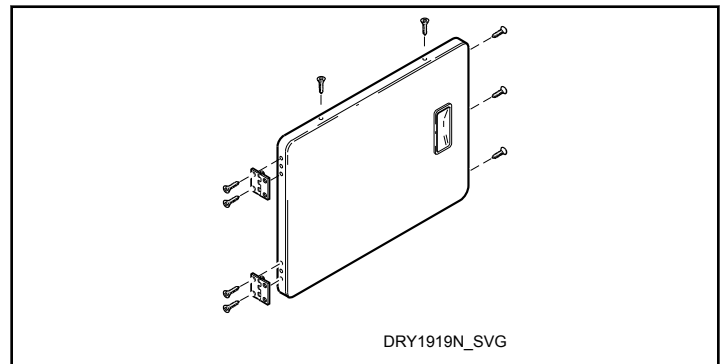


Figure 28

Installation

- Using screwdriver, remove two door plugs, and reinstall on opposite side of door opening.

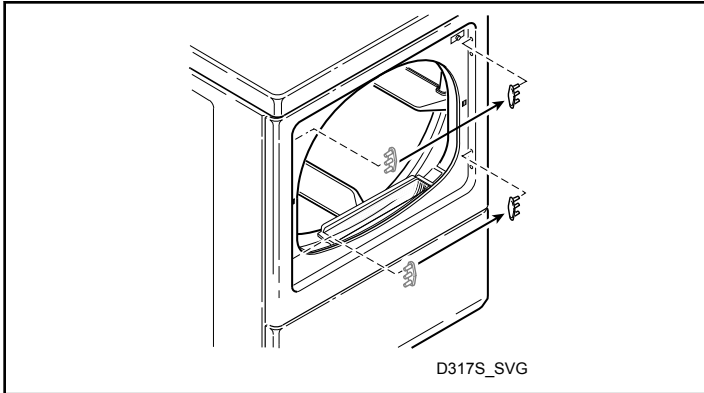


Figure 29

- Reinstall four hinge attaching screws, removed in Step 1.

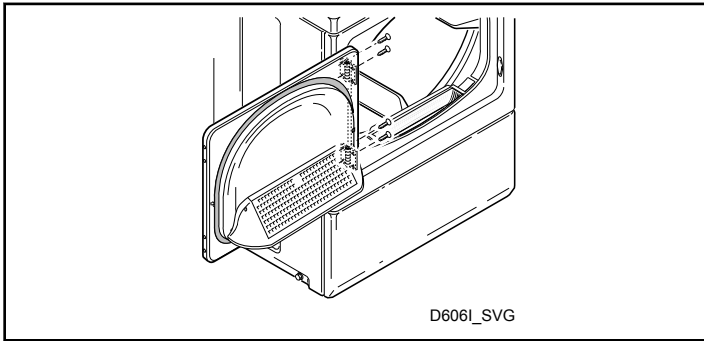


Figure 30

Wipe Out Inside of Dryer

Before using dryer for the first time, use an all-purpose cleaner, or a detergent and water solution, and a damp cloth to remove shipping dust from inside dryer drum.

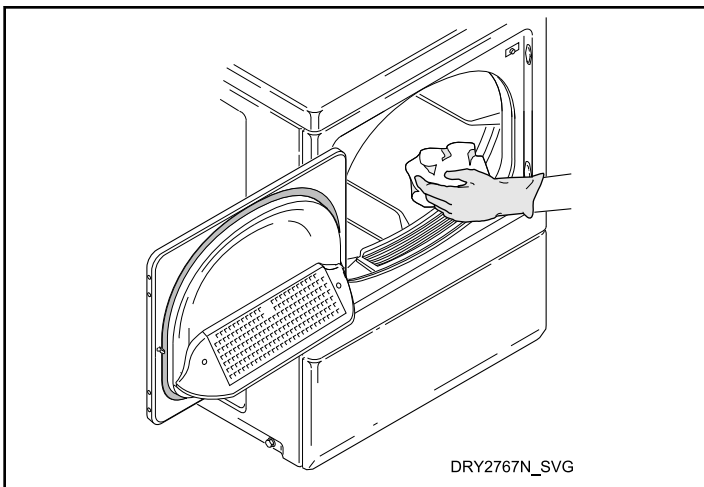


Figure 31

Plug In the Dryer

This appliance is to be supplied through a residual current device (RCD) having a rated residual operating current not exceeding 30 mA.



WARNING

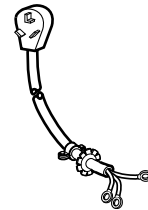
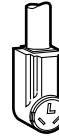
The appliance must not be supplied through an external switching device, such as a timer, or connected to a circuit that is regularly switched on and off by a utility.

W943

Electric Dryer

Connect the dryer to an electrical power source. Refer to Connect Electrical Plug section for information on connecting power cord.

Connect to 30 Amp Circuit



D275I_SVG2

Figure 32

Gas Dryer

Dryer requires 120 Volt, 60 Hertz electrical supply and comes equipped with a 3-prong earth/ground plug. Refer to serial plate for specific electrical requirements.

NOTE: The wiring diagram is located in the control hood.



WARNING

To reduce the risk of fire, electric shock, serious injury or death, all wiring and grounding **MUST** conform with the latest edition of the National Electrical Code, ANSI/NFPA 70, or the Canadian Electrical Code, CSA C22.1, and such local regulations as might apply. It is the customer's responsibility to have the wiring and fuses installed by a qualified electrician to make sure adequate electrical power is available to the dryer.

W521

When plugging in the dryer:

- DO NOT overload circuits.
- DO NOT use an extension cord.

- DO NOT use an adapter.
- DO NOT operate other appliances on the same circuit. Use separately fused 15 Amp circuits.

The dryer is designed to be operated on a separate branch, polarized, three-wire, effective earth/ground, 120 Volt, 60 Hertz, AC (alternating current) circuit protected by a 15 Ampere fuse, equivalent fusetrone or circuit breaker.

The three-prong earth/ground plug on the power cord should be plugged directly into a polarized three-slot effective earth/ground receptacle rated 120 Volts AC (alternating current) 15 Amps. Refer to *Figure 33* to determine correct polarity of the wall receptacle.

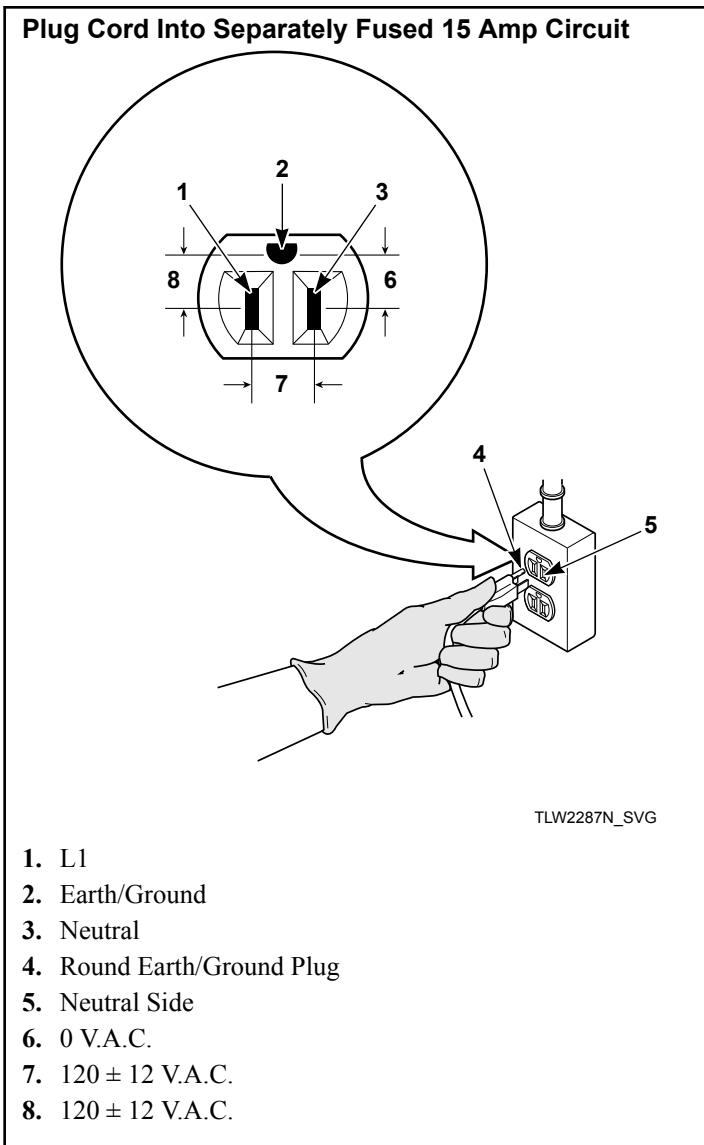


Figure 33

Earth/Ground Information

This appliance must be properly connected to protective earth/ground. In the event of malfunction or breakdown, the earth/

ground will reduce the risk of electric shock by providing a path of least resistance for electric current.

The dryer is equipped with a cord having an equipment earth/ground conductor and a three-prong earth/ground plug. The three-prong earth/ground plug on the power cord should be plugged directly into a polarized three-slot effective earth/ground receptacle rated 110/120 Volts AC (alternating current) 15 Amps.

	WARNING
<p>This unit is equipped with a three-prong (earth/ground) plug for your protection against shock hazard and should be plugged directly into a protective earth/ground three-prong receptacle. Do not cut or remove the earth/ground prong from this plug.</p>	
W823	

	WARNING
<p>Improper connection of the equipment earth/ground conductor can result in a risk of electric shock. Check with a qualified electrician or service person if you are in doubt as to whether the dryer is properly connected to a protective earth/ground.</p>	
W886	

Do not modify the plug provided with the dryer – if it will not fit the outlet, have a proper outlet installed by a qualified electrician.

NOTE: Have a qualified electrician check the polarity of the wall receptacle. If a voltage reading is measured other than that illustrated, the qualified electrician should correct the problem.

Do not operate other appliances on the same circuit.

	WARNING
<p>To reduce the risk of an electric shock or fire, DO NOT use an extension cord or an adapter to connect the dryer to the electrical power source.</p>	
W037	

Recheck Steps

Refer to Installer Checklist on the back cover of this manual and make sure that dryer is installed correctly.

Check Heat Source

Electric Dryers

1. Close the loading door and start the dryer in a heat setting (refer to the operation instructions).

- After the dryer has operated for three minutes, the exhaust air or exhaust pipe should be warm.

Gas Dryers

IMPORTANT: This operation is to be conducted by qualified personnel only.

- To view the burner flame, remove the lower front panel of the dryer.
- Close the loading door and start the dryer in a heat setting (refer to the operation instructions). The dryer will start, the igniter will glow red and the main burner will ignite.

IMPORTANT: If all air is not purged out of gas line, gas igniter may go off before gas is ignited. If this happens, after approximately two minutes igniter will again attempt gas ignition.

IMPORTANT: If igniter does not light, make sure gas is turned on.

- After the dryer has operated for approximately five minutes, observe burner flame through lower front panel.
- Adjust the air shutter to obtain a soft, uniform blue flame. (A lazy, yellow-tipped flame indicates lack of air. A harsh, roar-

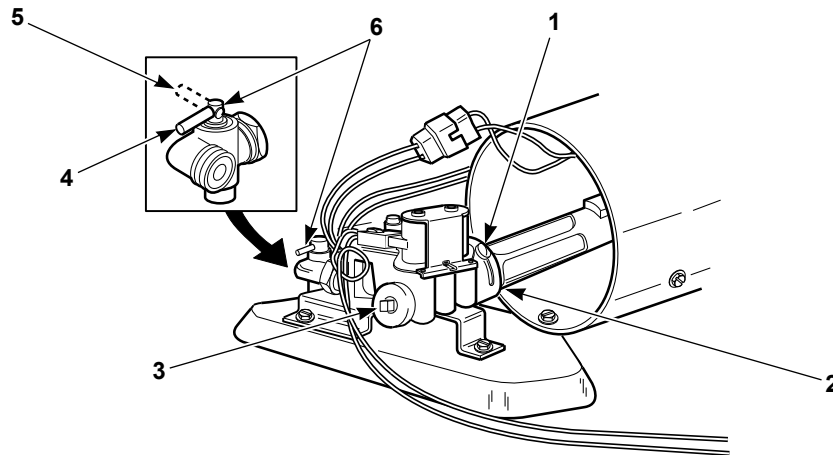
ing, very blue flame indicates too much air.) Adjust the air shutter as follows:

- Loosen the air shutter lockscrew.
 - Turn the air shutter to the left to get a luminous yellow-tipped flame, then turn it back slowly to the right to obtain a steady, soft blue flame.
 - After the air shutter is adjusted for proper flame, tighten the air shutter lockscrew securely.
- Reinstall the lower front panel.

	WARNING
To reduce the risk of serious injury or death, lower front panel must be in place during normal operation.	
W158	

- After the dryer has operated for approximately three minutes, exhaust air or exhaust pipe should be warm.

Shut-off Valve Only Applicable on Certain Models



DRY2753N_SVG

- Air Shutter Lockscrew
- Air Shutter
- 3.1 mm [1/8 in.] Pipe Plug (For checking manifold pressure)
- Shut-off Valve Open Position
- Shut-off Valve Closed Position
- Shut-off Valve Handle

Figure 34

Vending

Meter Case

The factory mounted coin meter case does not include the service door lock, coin slide (if applicable), coin drawer, coin drawer

lock or keys. These parts must be ordered (at extra cost) according to the purchaser's requirements direct from the manufacturer of your choice.

NOTE: You have the option of using a screw type lock or a 1/4 turn lock on the meter case service door. If you choose to use a screw lock, then the special bracket (located inside the meter case) must be used. DO NOT use the special bracket if a 1/4 turn lock is used.

Coin Drawer Security - For additional security, drill out the two pilot holes on each side of the front of the meter case to 6.4 or 7.9 mm [1/4 or 5/16 inch] holes and install a bicycle lock through these holes.

NOTE: An 203 mm [8 in.] coin drawer is required for coin operated electronic control models.


Additional Security


Located on the service door of meter case models is a flat Phillips head screw. During shipment, this screw is used to attach the service door to the meter case. For additional security, this screw can be reinstalled inside the control hood of your unit. Refer to instructions below for installation.

Tamper-resistant screws also can be installed for additional security. Tamper-resistant screws, bits and bit holder are available as optional equipment at extra cost. Part numbers are:

- Bit (No. 8 screws) Part No. 281P4
- Bit (No. 12 screws) Part No. 282P4
- Control panel tamper-resistant screw Part No. 35528
- Front panel tamper-resistant screw Part No. 35527

The following list is the procedure required to install the Phillips head screw and tamper-resistant screws:

	WARNING
Any disassembly requiring the use of tools must be performed by a suitably qualified service person.	
W299	

	WARNING
To reduce the risk of electric shock, fire, explosion, serious injury or death:	
<ul style="list-style-type: none"> • Disconnect electric power to the washer before servicing. • Never start the washer with any guards/panels removed. • Whenever earth/ground wires are removed during servicing, these earth/ground wires must be re-connected to ensure that the washer is properly connected to a protective earth/ground. 	
W883	

1. Remove the Phillips head screw from service door (refer to *Figure 35*).
2. Remove two screws holding control panel to control hood.

3. Tilt control panel forward and lay on a protective pad to prevent scratching of cabinet top.
 4. Insert Phillips head screw down through double “D” hole in left rear corner of cabinet top (inside control hood) until it engages retainer nut located on left rear corner gusset of cabinet.
 5. Finger tighten screw.
- IMPORTANT: Do not use a power driver to tighten screw. Torque of a power driver could over-tighten screw causing damage to cabinet assembly.**
6. Secure control panel to control hood using two No. 8 tamper-resistant screws, Part No. 35528.
 7. Remove two screws holding access panel to base of dryer and install two No. 12 tamper-resistant screws, Part No. 35527.

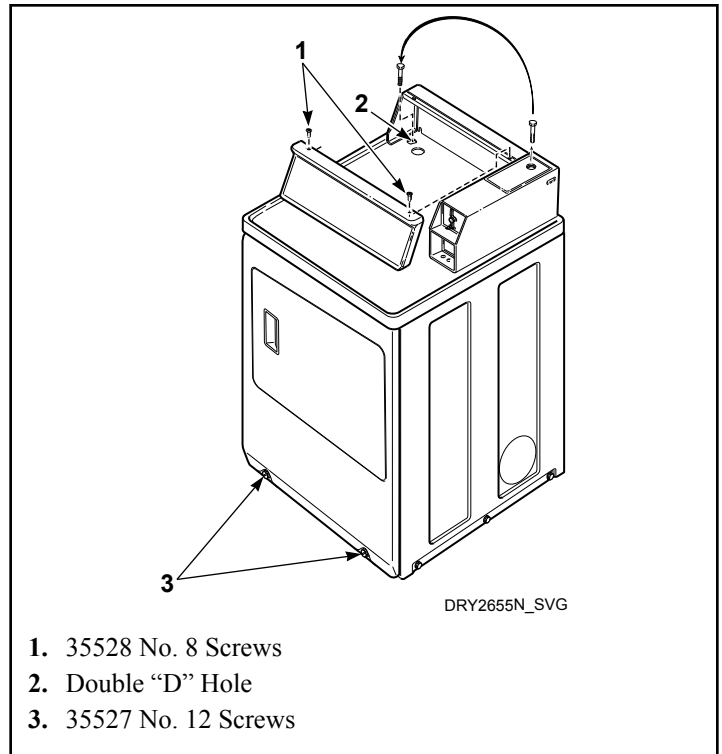


Figure 35

Operation

Operation Instructions

	WARNING
<p>To reduce the risk of fire, electric shock, or injury to persons, read the IMPORTANT SAFETY INSTRUCTIONS before operating this appliance.</p>	
W727	

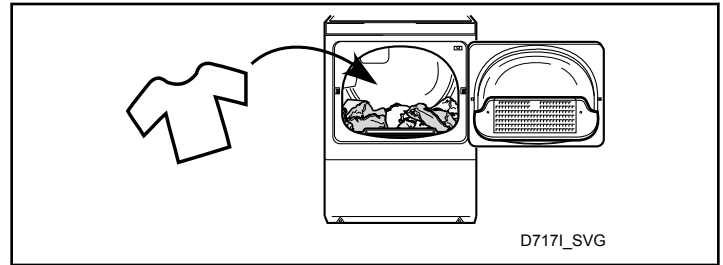


Figure 37

IMPORTANT: Remove all objects from pockets such as lighters and matches.

This appliance shall not be used to dry off solvents or dry cleaning fluids.

IMPORTANT: Before using dryer for the first time, use an all-purpose cleaner, or a detergent and water solution, and a damp cloth to remove shipping dust from inside of dryer drum.

IMPORTANT: Remove all sharp objects from laundry to avoid tears and rips to items during normal machine operation.

Close Loading Door

1. Close loading door.
2. Dryer will not operate with the door open.

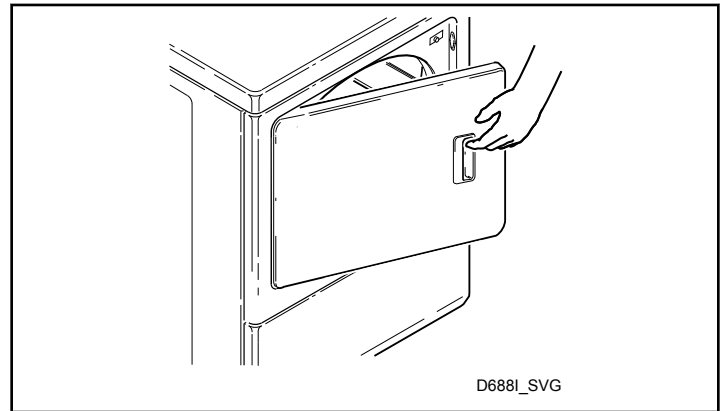


Figure 38

Clean Lint Filter

Clean lint filter before each use.

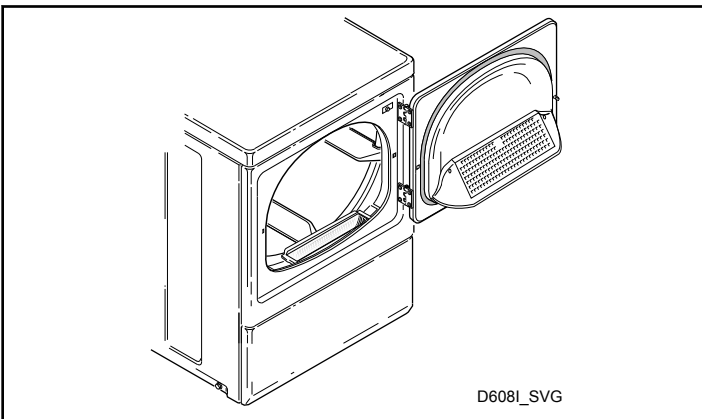


Figure 36

Set Fabric Selector

Select HIGH TEMP, MED TEMP, LOW TEMP, DELICATES or NO HEAT by pushing touchpad.

NOTE: Always follow manufacturer's care labels.

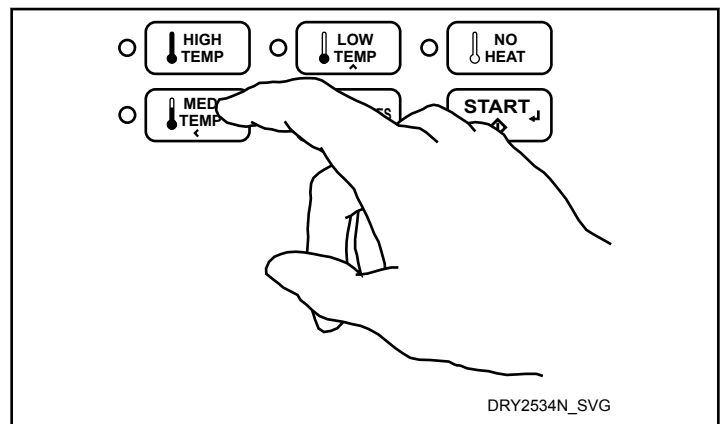


Figure 39

Load Laundry

1. Load clothes loosely into dryer drum (8.2 kg [18.0 pounds] maximum dry clothes load).
2. Add fabric softener sheet if desired.

IMPORTANT: To avoid damage to dryer, do not use more than one fabric softener sheet per load.

Insert Coins or Card

To Insert Coins

1. Insert coin(s) in coin slot.
2. Check pricing as seen on digital display.

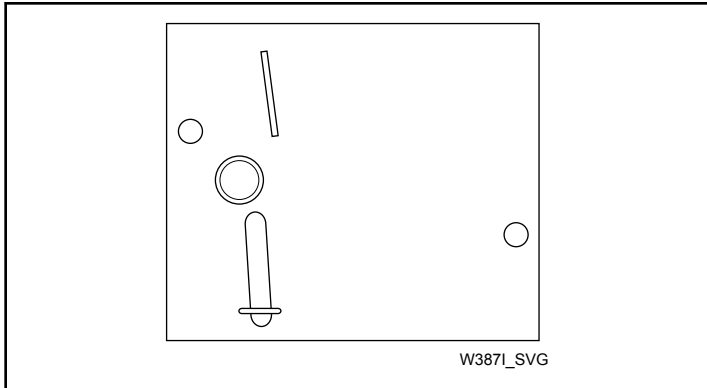


Figure 40

To Insert Card

Insert card into opening.

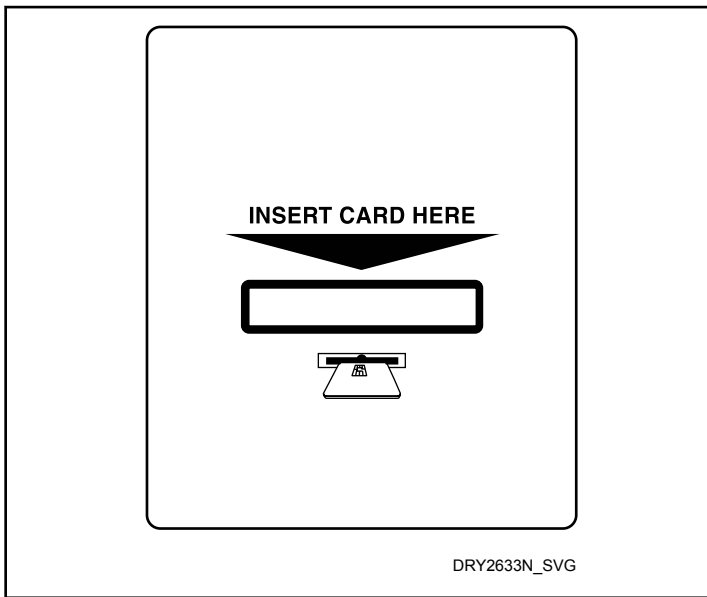


Figure 41

Start Dryer

1. To start dryer, push START pad.
2. To stop dryer at any time, open the door.
3. To restart the dryer, close door and push START pad. Cycle is completed when time remaining reaches 00 minutes.

If Additional Time Feature is turned on, additional dryer time may be purchased at cycle start or while dryer is running.

Remove knits when slightly damp because overdrying may cause shrinkage. Do not tumble dry knit woolens.

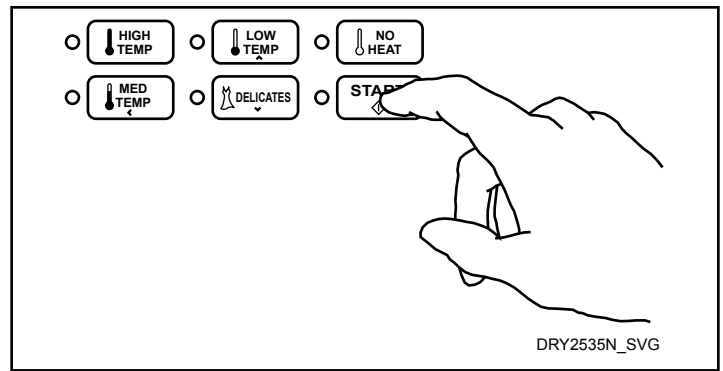


Figure 42

IMPORTANT: The final part of dryer cycle occurs without heat (cool down cycle) to ensure that items in dryer are left at a temperature that ensures that the items will not be damaged.

	WARNING
<p>To prevent the risk of fire, never stop a dryer before the end of the drying cycle unless all items are quickly removed and spread out so that the heat is dissipated.</p>	
W756	

NOTE: This machine includes an extended tumble feature. Starting 20 minutes after a cycle ends, the cylinder will tumble for two minutes every hour without heat, up to 18 hours or until door is opened.

Indicator Lights

INSERT COINS/CARD	INSERT COINS/CARD is lit to prompt the user to insert payment to satisfy the vend price. When INSERT COINS/CARD is lit, the three digits will display the vend price remaining to be satisfied.
START	START is lit whenever the dryer is not in a cycle, the full vend price has been satisfied and the dryer door is closed. When the START pad is pressed, the cycle will begin or resume.

Table continues...

Operation


DRYING	DRYING is lit to indicate that one of the heated cycles (HIGH TEMP, MED TEMP, LOW TEMP or DELICATES) is currently in operation. DRYING will turn off at the end of a heated cycle or when the COOL DOWN cycle begins.
COOL DOWN	COOL DOWN is lit whenever the COOL DOWN portion of a heated cycle is active. It is also lit when the NO HEAT cycle is in operation.

Maintenance

Lubrication

All moving parts are sealed in a permanent supply of lubricant or are equipped with oilless bearings. Additional lubrication will not be necessary.

Care of Your Dryer

	WARNING
<p>To reduce the risk of an electric shock, serious injury or death, disconnect the electrical service to the dryer before cleaning the interior.</p>	
W132	

Dryer Interior

Wipe the surfaces using a soft cloth and household cleaner or a non-abrasive paste of powdered laundry detergent and hot water, followed by a short heat cycle with a load of rags.

To remove crayon or ball point ink off the dryer drum, put the heat on high and use old rags in the dryer to absorb the crayon or ink. If unsuccessful, contact the appliance dealer. **DO NOT** use any chemicals in the dryer.

IMPORTANT: The use of chlorine bleach for removing any discolorations should be avoided because bleach could damage the finish.


Cabinet


Wipe the dryer cabinet as needed. If detergent, bleach or other washing products have been spilled on the dryer, wipe immediately. Some products will cause permanent damage if spilled on the cabinet.

Control Panel

Use only a damp or sudsy cloth for cleaning the control panel. Some spray pretreat products may harm the finish on the control panel. **DO NOT** use products that contain alcohol on the control panel.

Exhaust System

	WARNING
<p>To reduce the risk of electric shock, disconnect the electrical service to the dryer before cleaning.</p>	
W043	

	WARNING
<p>Any disassembly requiring the use of tools must be performed by a suitably qualified service person.</p>	
W299	

The exhaust duct should be inspected after one year of use and cleaned if necessary by a qualified service person to remove any lint build-up. Inspect and clean exhaust duct every one to two years as required thereafter.

NOTE: This recommended maintenance is not covered under the terms of the warranty.

The weather hood should be checked frequently to make sure the dampers move freely, dampers are not pushed in and that nothing has been set against them.

Keep dryer area clear and free from combustible materials, gasoline and other flammable vapors and liquids.

Do not obstruct the flow of combustion and ventilation air.

NOTE: Verify proper operation after servicing.

Lint Filter

CLEAN THE LINT FILTER BEFORE DRYING EACH LOAD. (Refer to *Figure 43* for lint filter location.) Cleaning the lint filter is important because a layer or pad of lint on the filter will block the flow of air through the dryer, thus reducing the efficiency of the dryer. The clothes will take longer to dry and energy will be wasted.

The lint filter may be washed if needed. Annually remove lint filter and screw to vacuum the duct under it.

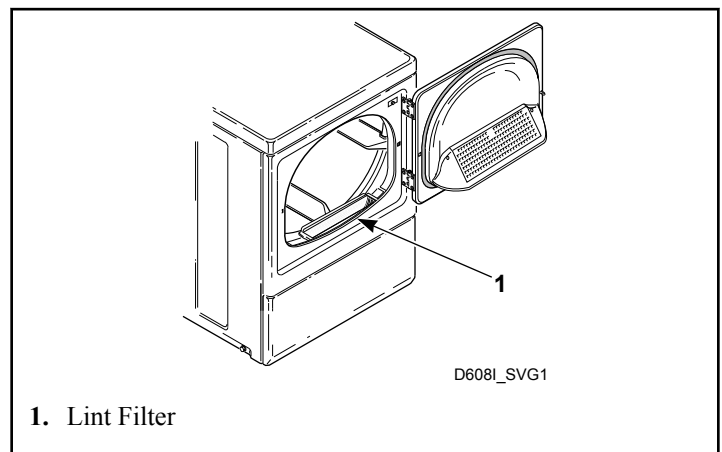


Figure 43

Motor Overload Protector

The dryer's motor overload protector stops the motor automatically in the event of an overload. After cooling, the overload protector will reset itself. Dryer can be restarted by pressing the START pad. If overload protector cycles again, remove the dryer from use and call the service person to correct the problem.

For Energy Conservation

- Make sure the lint filter is always clean.
- Do not overload dryer.
- Do not overdry clothes.
- Remove items to be ironed while still damp.
- Large loads of similar fabrics dry the most efficiently. However, dry permanent press in smaller loads to prevent wrinkling.
- Use the correct temperature FABRIC SELECTOR setting for the type of fabric being dried.
- Locate your dryer so the exhaust duct is as short and straight as possible.
- Do not open the door during the drying cycle.
- Plan to do your laundry on low humidity days; your clothes will dry faster.
- Should you plan to dry several loads, do them one after another, then you do not have to reheat the dryer unit's interior parts each time.

Troubleshooting

Try these troubleshooting tips before making a service call. They may save you time and money.

Dryer Symptom	Possible Cause/Solution
Dryer won't start	<ul style="list-style-type: none"> • Insert coin(s) or card, if required. • For dryers equipped with a power cord, make sure the power cord is plugged all the way into the electrical outlet. • Make sure loading door is closed. • Press START pad. • Make sure the laundry room fuse(s) isn't blown or loose, or circuit breakers aren't open. • The dryer itself does not have an electrical fuse. An electric dryer has an electrical circuit with two fuses. • Check if motor overload protector has cycled. Wait 10 minutes and try again.
Dryer won't heat	<ul style="list-style-type: none"> • Make sure the laundry room fuse(s) isn't blown or loose, or circuit breakers aren't open. • The dryer itself does not have an electrical fuse. An electric dryer has an electrical circuit with two fuses. • Make sure controls are in a HEAT setting. • Gas dryer only – Make sure equipment and main gas line valve is turned on. • Check exhaust duct to outside to see if it is kinked, blocked or needs cleaning. • Check weather hood to make sure flapper moves freely, has not been pushed in or has not been blocked.
Dryer doesn't dry clothes satisfactorily	<ul style="list-style-type: none"> • Check exhaust duct to outside to see if it is kinked, blocked or needs cleaning. • Check weather hood to make sure flapper moves freely, has not been pushed in or has not been blocked. • Clean the lint filter. • Make sure the load isn't too small. Small loads may not tumble properly or dry evenly. • Check load being dried. Heavy items dried with lightweight items will not dry as quickly as the rest of the load.
Dryer is noisy	<ul style="list-style-type: none"> • Check dryer for foreign objects (nails, coins, bobby pins, metal, plastic toys, etc.). Remove items from dryer. • Make sure dryer is level. Uneven leveling can cause vibration. • Normal operating sounds include the heat source going on and off and the humming of air moving through the dryer and exhaust system.

Table continues...

Dryer Symptom	Possible Cause/Solution
Clothes are too wrinkled	<ul style="list-style-type: none"> • Check heat setting. Overdrying can cause wrinkling. • Check load size. Large loads may not tumble properly and may cause wrinkling.
Clothes have odor	<ul style="list-style-type: none"> • Check room for odors before drying clothes. Any odor (fried foods, paint, varnish, cleaners, burning wood, etc.) will transfer to clothing as the dryer draws air from the room. • Ventilate room before drying clothes.

Contact Information

If service is required, contact the nearest Factory Authorized Service Center.

If you are unable to locate an authorized service center or are unsatisfied with the service performed on your unit, contact:

Alliance Laundry Systems
Shepard Street
P.O. Box 990
Ripon, WI 54971-0990
U.S.A.
www.alliancelaundry.com
Phone: +1 (920) 748-3121


When calling or writing about your unit, PLEASE GIVE THE MODEL AND SERIAL NUMBERS. The model and serial numbers are located on the serial plate. The serial plate will be in the location shown in *Figure 44*.

Date Purchased	
----------------	--

Table continues...

Model Number	
Serial Number	

Please include a copy of your bill of sale and any service receipts you have.

	<h2>WARNING</h2>
<p>To reduce the risk of serious injury or death, DO NOT repair or replace any part of the unit or attempt any servicing unless specifically recommended in the user-maintenance instructions or in published user-repair instructions that you understand and have the skills to carry out.</p>	
<small>W329</small>	

If replacement parts are required, contact the source from where you purchased your unit or call +1 (920) 748-3950 for the name and address of the nearest authorized parts distributor.

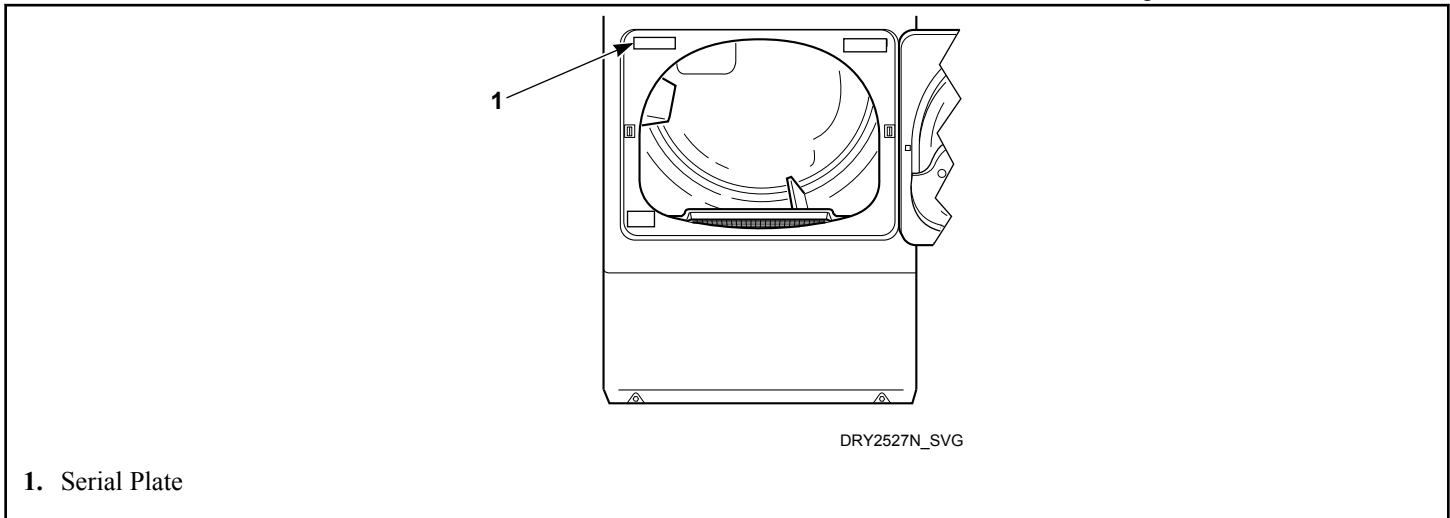
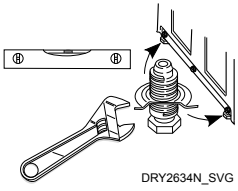
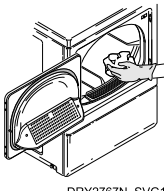
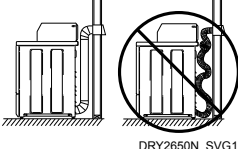
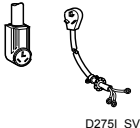
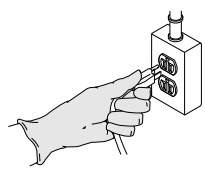
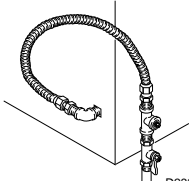
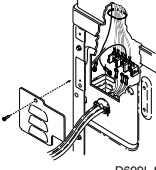
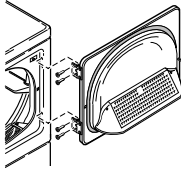


Figure 44

Installer Checklist

Fast Track for Installing the Dryer

1	Position and Level the Dryer.	 <p>DRY2634N_SVG</p>	6	Wipe Out Inside of Dryer.	 <p>DRY2767N_SVG1</p>
	CHECK			CHECK	
2	Connect Dryer Exhaust System.	 <p>DRY2650N_SVG1</p>	7	Plug In the Dryer.	<p>Electric</p>  <p>D275I_SVG1</p> <p>Gas</p>  <p>TLW2289N_SVG</p>
	CHECK			CHECK	
3	<p>GAS ONLY</p> <ul style="list-style-type: none"> • Connect Gas Supply Pipe. • Check for Gas Leaks. 	 <p>D233I_SVG1</p>	8	Recheck Steps.	
	CHECK			CHECK	
4	<p>ELECTRIC ONLY</p> <ul style="list-style-type: none"> • Connect Electrical Cord. 	 <p>D699I_SVG1</p>	9	Start and Run Dryer in Heat Setting to Verify Dryer is Heating.	
	CHECK			CHECK	
5	Reverse Door, if Desired.	 <p>D675I_SVG1</p>			
	CHECK				

Refer to the manual for more detailed information