

SPEAKMAN® SEF-2001

Eyesaver® Retrofit Faucet with Integrated Eyewash

The Speakman SEF-2001 is a NSF 61 compliant laboratory faucet with an integrated ANSI compliant aerated eyewash. Dedicated water ways allow the faucet and eyewash to work independently of each other.

EYEWASH FEATURES:

- Lift handle activator
- Aerated chrome plated spray outlets with flip-top dust caps
- 2.8 gpm/10.6L/min @ 30 psi flow rate.
- Dedicated water channel for eyewash
- Tepid water ready
- 3/8 in. male compression connection

FAUCET FEATURES:

- Lead-free brass construction
- Swivel or rigid spout up to 100 degrees
- Gooseneck faucet with independently operated eyewash
- 1.5 gpm (5.7 L/min) flow rate
- 3/8 in. male compression connections for hot & cold inlets

COMPLIANCE:

- ASME A112.18.1/CSA B125 certified
- NSF 61 certified (excludes ST option)
- NSF 372 certified (excludes ST option)
- ANSI/ISEA Z358.1 certified

OPTIONS: Add suffix to model

- | | |
|---|------------------------------|
| • 8 in. gooseneck spout | <input type="checkbox"/> - 8 |
| • Vandal resistant 0.5 gpm flow control | <input type="checkbox"/> -BO |
| • Laminar flow outlet 1.5 gpm | <input type="checkbox"/> -LF |
| • Non-aerated eyewash outlets | <input type="checkbox"/> -NA |
| • Serrated tip with vacuum breaker
(not NSF 372 or NSF 61 compliant) | <input type="checkbox"/> -ST |
| • SE-370 Thermostatic mixing valve | <input type="checkbox"/> -TW |

WARRANTY:

- 3 year limited



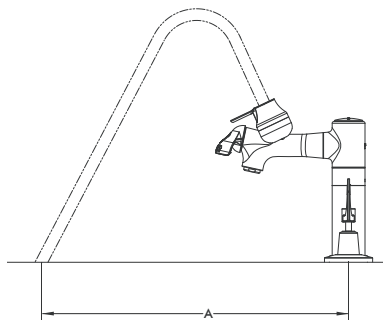
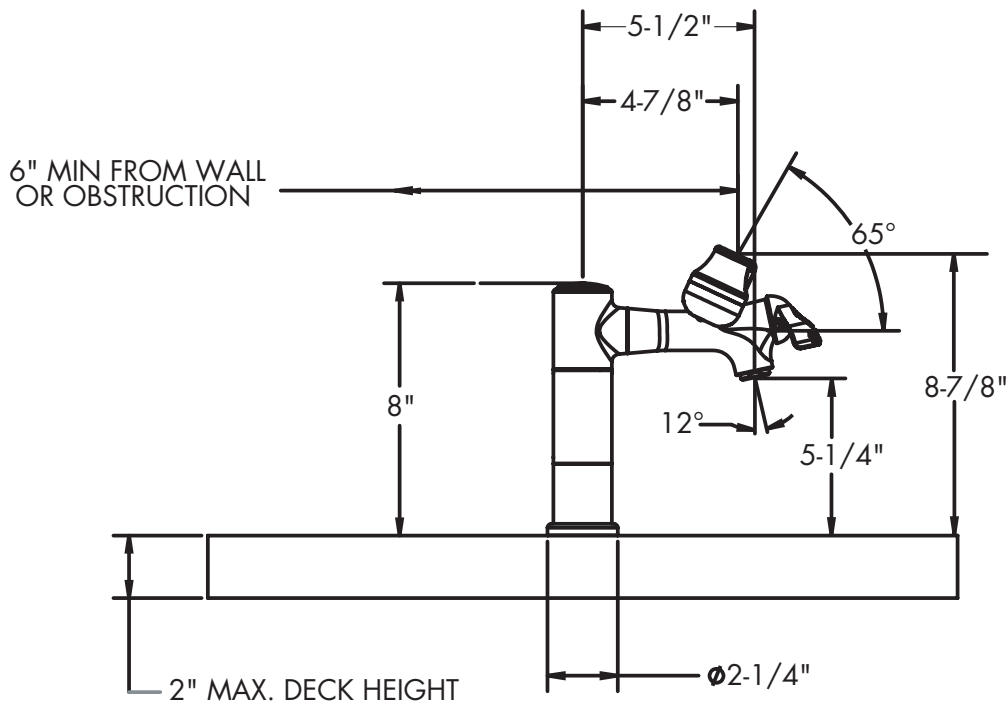
Patented design

Architect/Engineer Approval Space:

SPEAKMAN
400 ANCHOR MILL ROAD
NEW CASTLE, DE 19720

P: 800-537-2107
F: 800-977-2747
W: WWW.SPEAKMAN.COM
R: JULY 2017

SEF-2001 SIDE VIEW (LESS HOSES)



SEF-2001 Spray Plume Length and Flow

Flowing Pressure	30 psi 2.07 Bar	40 psi 2.76 Bar	50 psi 3.45 Bar	60 psi 4.14 Bar	70 psi 4.83 Bar	80 psi 5.52 Bar
Flow Rate	2.14 gpm 8.1 L/min	2.25 gpm 8.5 L/min	2.49 gpm 9.4 L/min	2.70 gpm 10.2 L/min	2.95 gpm 11.2 L/min	3.09 gpm 11.7 L/min
Eyewash Distance Plume "A"	12" 30.5 cm	13" 33.0 cm	15" 38.1 cm	18" 45.7 cm	21" 53.3 cm	24" 61.0 cm

SEF-2001-8 Spray Plume Length and Flow

Flowing Pressure	30 psi 2.07 Bar	40 psi 2.76 Bar	50 psi 3.45 Bar	60 psi 4.14 Bar	70 psi 4.83 Bar	80 psi 5.52 Bar
Flow Rate	2.15 gpm 8.1 L/min	2.24 gpm 8.5 L/min	2.47 gpm 9.3 L/min	2.71 gpm 10.3 L/min	2.95 gpm 11.2 L/min	3.13 gpm 11.8 L/min
Eyewash Distance Plume "A"	17" 43.2 cm	18" 45.7 cm	20" 50.8 cm	23" 58.4 cm	27" 68.6 cm	29" 73.7 cm