

SPEAKMAN® SEF-1850

Eyesaver® Single Post Laboratory Faucet with Integrated Eyewash

The Speakman SEF-1850 is a NSF 61 compliant single post laboratory faucet with an integrated ANSI compliant aerated eyewash. Dedicated water ways allow the faucet and eyewash to work independently of each other.

EYEWASH FEATURES:

- Lift handle activator
- Dedicated water channel for eyewash
- Aerated plated spray outlets with flip-top dust caps
- 2.8 gpm/10.6L/min @ 30 psi flow rate.
- Tepid water ready
- 3/8 in. male compression connection

FAUCET FEATURES:

- Lead-free brass construction
- 1/4 turn ceramic cartridges
- Cross handles with color-coded indexes
- Swivel or rigid spout up to 100 degrees
- Widespread installation
- 1.5 gpm (4.5 L/min) flow rate
- 3/8 in. male compression connections for hot & cold inlets

COMPLIANCE:

- ASME A112.18.1/CSA B125 certified
- NSF 61 certified (excludes ST option)
- NSF 372 certified (excludes ST option)
- ANSI/ISEA Z358.1 certified

OPTIONS: Add suffix to model

- | | |
|---|-------------------------------|
| • 4 in. wrist blade handles | <input type="checkbox"/> -4WH |
| • 8 in. gooseneck spout | <input type="checkbox"/> - 8 |
| • Vandal resistant 0.5 gpm flow control | <input type="checkbox"/> -BO |
| • Laminar flow outlet 1.5 gpm | <input type="checkbox"/> -LF |
| • Non-aerated eyewash outlets | <input type="checkbox"/> -NA |
| • Serrated tip with vacuum breaker
(not NSF 372 or NSF 61 compliant) | <input type="checkbox"/> -ST |
| • SE-370 Thermostatic mixing valve | <input type="checkbox"/> -TW |

WARRANTY:

- 3 year limited



Patented design

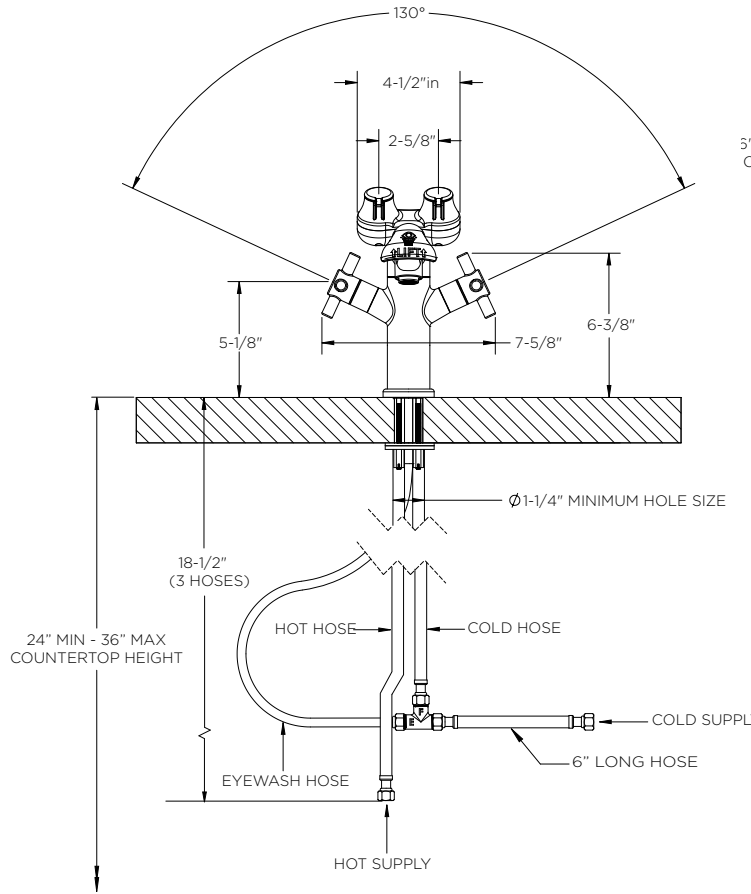
Architect/Engineer Approval Space:

SPEAKMAN
400 ANCHOR MILL ROAD
NEW CASTLE, DE 19720

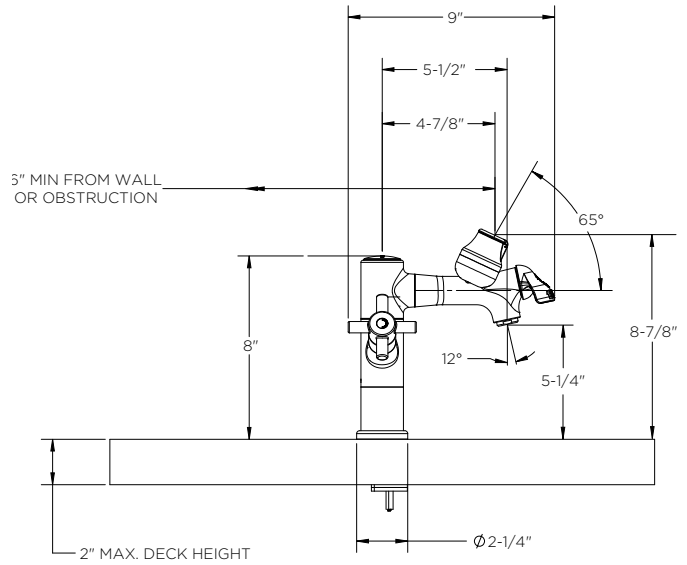
P: 800-537-2107
F: 800-977-2747
W: WWW.SPEAKMAN.COM
R: JULY 2017

DIMENSIONS: NOTE: 1. All dimensions are in inches (millimeters) unless otherwise specified and are subject to change without notice.

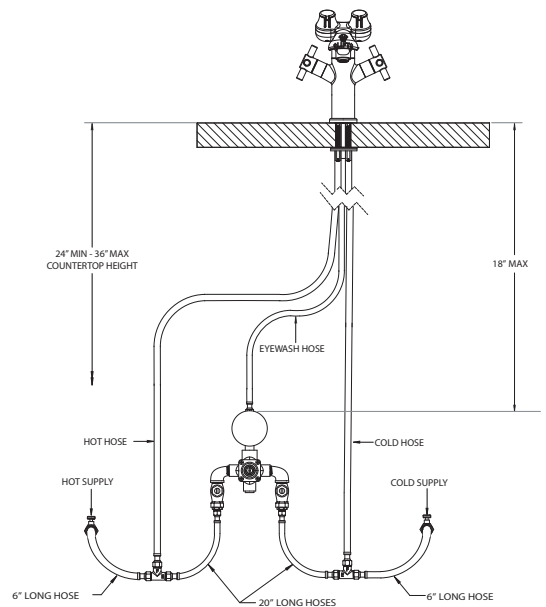
FRONT VIEW



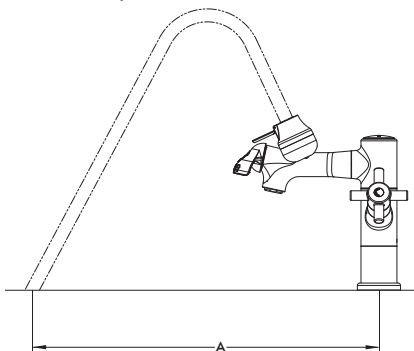
SIDE VIEW (LESS HOSES)



SE-1850-TW ROUGH-IN DIAGRAM



NOTE: DRAWING IS NOT TO SCALE. BE SURE TO KEEP THE SE-370 AS CLOSE TO THE CENTER OF THE FAUCET BODY AS POSSIBLE.



SEF-1850 Spray Plume Length and Flow

	30 psi	40 psi	50 psi	60 psi	70 psi	80 psi
Flowing Pressure	2.07 Bar	2.76 Bar	3.45 Bar	4.14 Bar	4.83 Bar	5.52 Bar
Flow Rate	2.14 gpm	2.25 gpm	2.49 gpm	2.7 gpm	2.95 gpm	3.09 gpm
	8.1 L/min	8.5 L/min	9.4 L/min	10.2 L/min	11.2 L/min	11.7 L/min
Eyewash Distance	12"	13"	15"	18"	21"	24"
Plume "A"	30.5 cm	33 cm	38.1 cm	45.7 cm	53.3 cm	61.0 cm

Architect/Engineer Approval Space:

SPEAKMAN
400 ANCHOR MILL ROAD
NEW CASTLE, DE 19720

P: 800-537-2107
F: 800-977-2747
W: WWW.SPEAKMAN.COM
R: JULY 2017