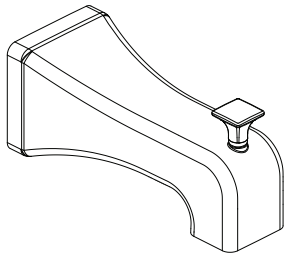


Instructions for Models:

S-1566
S-1566-BN
S-1566-PN



Need Help?

For additional assistance or service call:

SPEAKMAN Company
400 Anchor Mill Road
New Castle, DE 19720

PHONE: 800-537-2107
EMAIL: customerservice@speakmancompany.com
WEB: www.speakmancompany.com

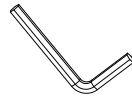
92-S-1566-R1

What You Need To Know:

Tools:

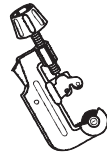
Required:

* Allen Wrench (Included)

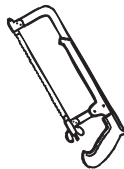


Helpful:

* Tubing Cutter



* Hacksaw



* Eye Protection



Important Notes:

Be sure to read instructions thoroughly before beginning installation. Do not overtighten any connections or damage may occur.

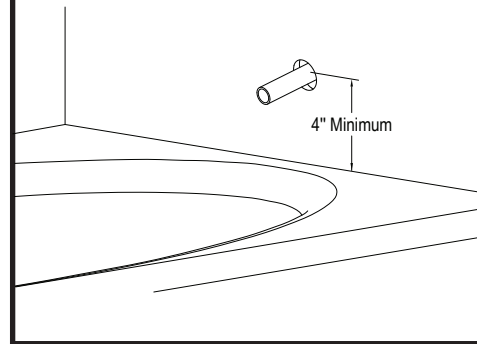
Safety Tips:

Cover your drain to prevent loss of parts.
Be sure to wear eye protection while cutting pipe.

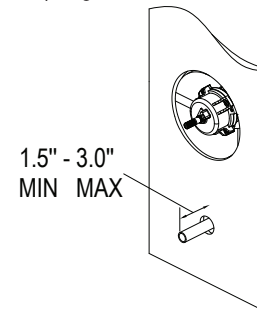
Maintenance:

Your new Tub Spout is designed for years of trouble-free performance. Keep it looking new by cleaning it periodically with a soft cloth. Avoid abrasive cleaners, steel wool and harsh chemicals as these will dull the finish and void your warranty.

- ① The minimum distance between the center off the tub spout and the rim of the tub should be no less than 4".



- ② The stub out for the 1/2" pipe should extend a minimum of 1.5" from the wall, but not to exceed 3" from wall. Remove all burrs and sharp edges from the stub out 1/2" pipe.



- ③ Slide spout (1) over exposed stub out pipe until flush to wall. Center the spout (1) on the wall and tighten set screw (2) from underneath with allen wrench (Hex: 3.97mm) provided.

