

# SPEAKMAN® SA-1005

## Neo Paper Holder

### FEATURES:

- Metal construction
- Mounting hardware included

### FINISH:



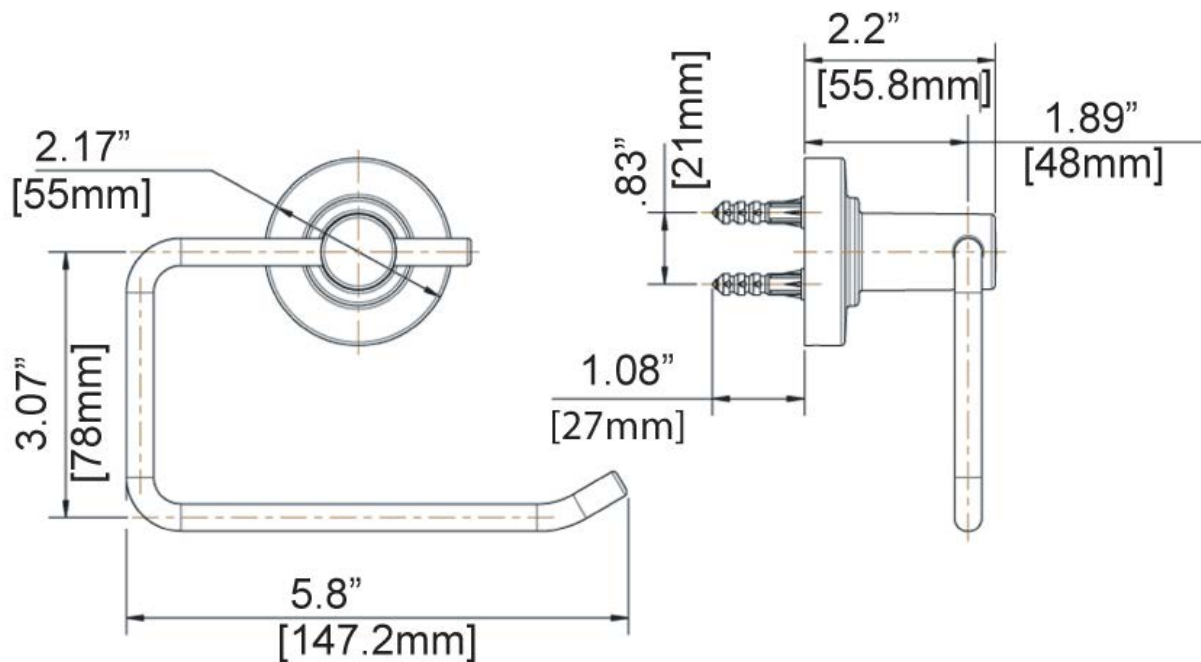
PC BN

### WARRANTY:

- 1 year limited



### DIMENSIONS:

 NOTE: 1. All dimensions are in inches (millimeters) unless otherwise specified and are subject to change without notice.

Architect/Engineer Approval Space:

SPEAKMAN  
400 ANCHOR MILL ROAD  
NEW CASTLE, DE 19720

P: 800-537-2107  
F: 800-977-2747  
W: WWW.SPEAKMAN.COM  
R: AUGUST 2016

221