

SPEAKMAN COMPANY SAFETY PRODUCTS

SE-575-SD-237 & SE-575-SD-238

Installation, Maintenance, Operation Instructions

EYESAVER® EYE/FACE WASH & SAFE-T-ZONE® EMERGENCY SURFACE MOUNTED WALL SHOWER

DESCRIPTION

Barrier-Free wall mounted emergency eye/face wash. Unit supplied with plastic spray heads, with individual flow restrictors. Unit activated by pulling handle down to open position, and is supplied with a cabinet flush with wall to keep corridors free from obstruction. Unit also supplied with wall mounted emergency shower as described below.

SE-575-SD-237:

Emergency deluge shower unit with wall activator. Shower is supplied with a 1" NPTF stay-open full flow ball valve that is activated by pull handle that is mounted on wall. Shower head designed to mount flush with ceiling.

SE-575-SD-238:

Emergency deluge shower unit with wall activator. Shower is supplied with a 1" NPTF stay-open full flow ball valve that is activated by pull handle that is mounted on wall. Shower head designed to drop down through ceiling.

SPECIFICATIONS

EYE/FACE WASH

SPRAY HEADS: (2) ABS Plastic Non-Aerated.

VALVE: Brass, Chrome-Plated.

INLET: ½" NPT Female.

CABINET: 20 Gauge (.036 thk.) 300 Series Stainless Steel with Satin Finish.

EMERGENCY SHOWER

SHOWER HEAD: Brass, 8" Diameter Polished Chrome Plated (*SE-575-SD-238*).

Brass, 10" Diameter Flanged Polished Chrome Plated (*SE-575-SD-237*).

COVER PANEL: 20 Gauge (.036 thk.) 300 Series Stainless Steel

VALVE: 1" NPT Female Brass, Chrome-Plated. Full Flow Stay-Open Ball Valve.

ACTIVATOR: Stainless Steel Lever with Black Plastic Rotating Handle.

PIPING: 1" IPS Steel Pipe Nipple & Unions.

INLET: 1" NPTF.

FLOW CONTROL: 20 GPM

SHIPPING WEIGHT: 27 lb (*SE-575-SD-238*)

28 lb. (*SE-575-SD-237*)

EMERGENCY SIGN: 7-7/8" x 12" Plastic Wall Sign.

OPTIONS

◇ AL3 (Electrical Alarm)	◇ ILS (In-line Strainer)	◇ 30GPM (30 GPM Flow Control)
◇ AL2-C1D2 (Electrical Alarm / Haz. Area)	◇ FLW (Flow Switch)	◇
◇ AL3-C1D2 (Electrical Alarm / Haz. Area)	◇ SSH (Stainless Steel Shower Head)	◇

INSTALLATION

Review and understand configuration of the unit as shown in the diagrams following in this instruction before roughing in or installing unit.

1. Once desired location & spray head height is determined cut openings in the wall for the eye/face wash & emergency shower per the minimum dimensions shown in Fig. 1, making sure there are suitable structures (stud, etc.) on each side of the eye/face wash opening for securing the eye/face wash cabinet to the wall.

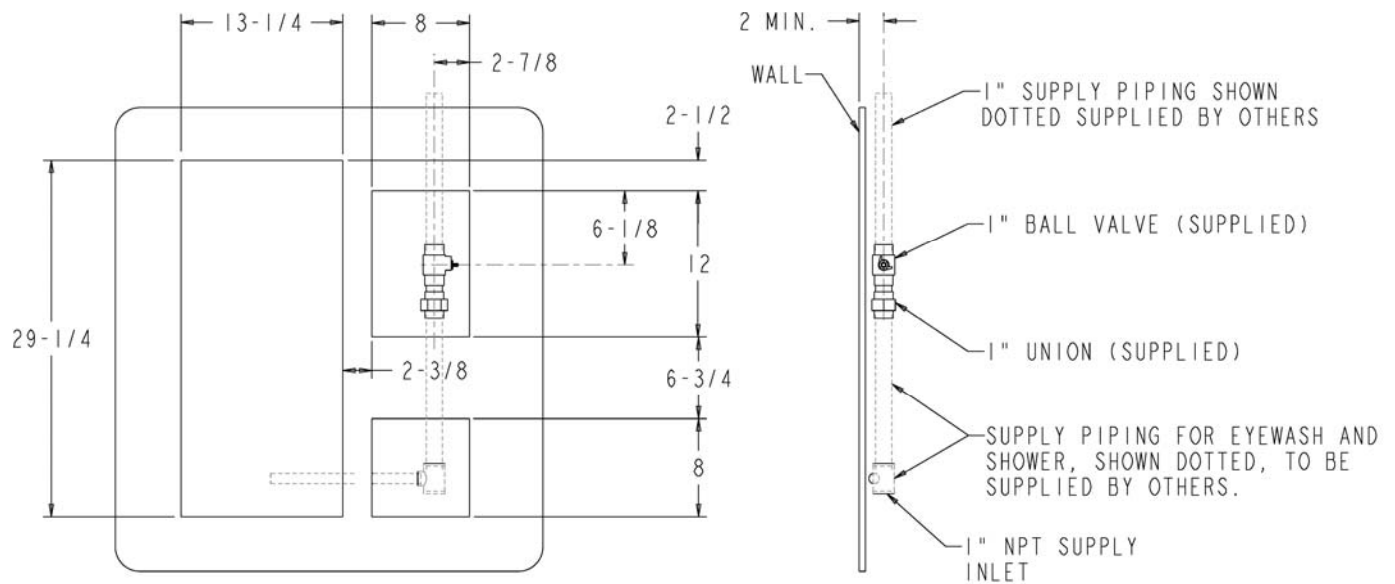


FIG. 1

2. Making sure unit is level, use appropriate fasteners (4) to secure unit to wall as shown in Fig. 2A & Fig. 2B.

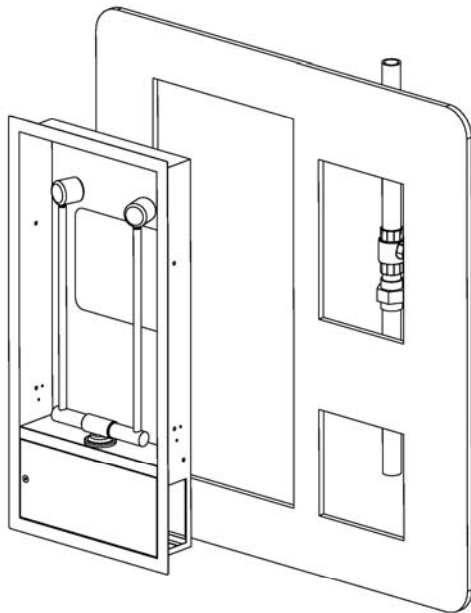


FIG. 2A

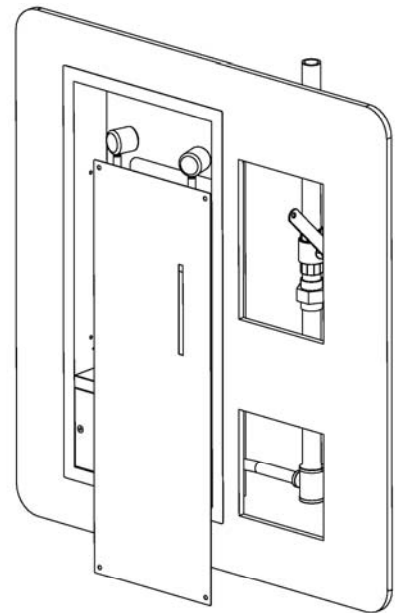


FIG. 2B

3. Plumb the eye/face wash & emergency shower ball valve (supplied) as shown in Fig. 2A & Fig. 2B, and the required water supply piping (supplied by others). For smooth activation, make sure that when final union connection is made that the stainless steel activation lever handle is as close to perpendicular to the finished wall as possible. Use pipe dope or thread sealant on all pipe thread connections (not union connections). The eye/face wash is supplied with a 1/2" NPT inlet, and requires a minimum 30 PSI flowing water pressure, and the emergency shower is supplied with a 1" NPT inlet. Shown in fig. 1 as dotted lines is the recommended piping configuration for a single water supply inlet. **NOTE: water supply to the unit to be an uninterrupted source of potable water. Failure to use potable water can result in emergency units producing impure or contaminated water causing possible further injury**
4. Assemble shower head to supply piping accordingly. Drop down design for the SE-575-SD-238, and ceiling mount for the SE-575-SD-237. **Make note that ANSI specifies that showerhead must be 82"-96" from the surface on which the user stands.** Use pipe dope or thread sealant on all pipe thread connections. See shower head differences in Fig. 3.

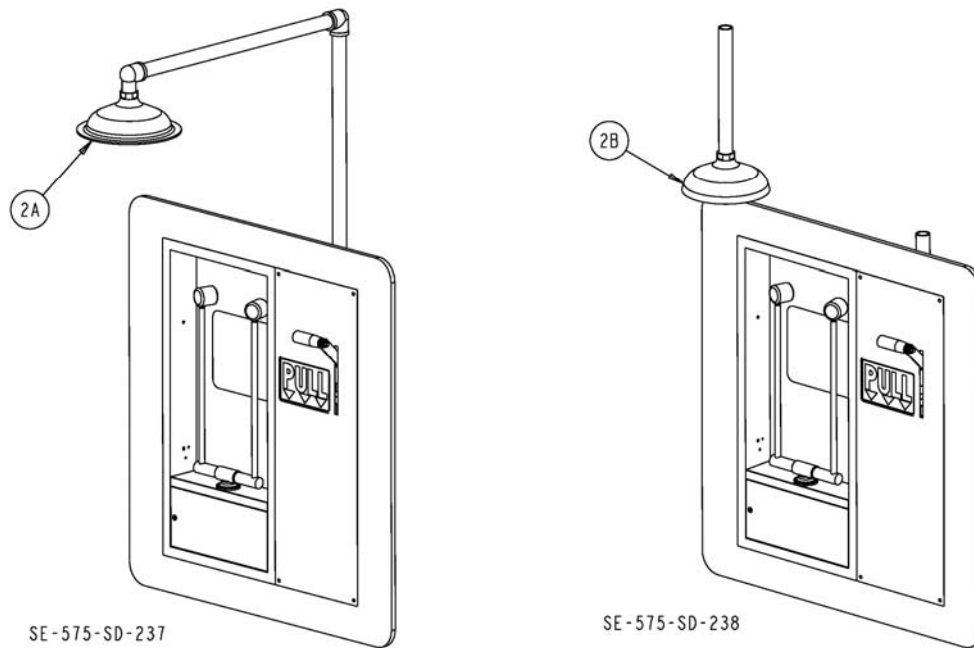


FIG. 3

5. Once piping is complete, and all supply and drain connections are made. Assemble lever handle to valve making sure it is oriented correctly. Place the stainless steel wall panel into position and make sure the lever handle rotates from the on & off positions freely without dragging on wall panel. If valve operates correctly, secure the wall panel to the wall using proper fasteners. If dragging occurs, loosen 1" union and adjust 1" ball valve so the lever handle is centered in the wall panel slot, and any interference is eliminated.
6. Assemble the black nylon rotating handle, and 3/8-16 hex nut to the activation lever handle.

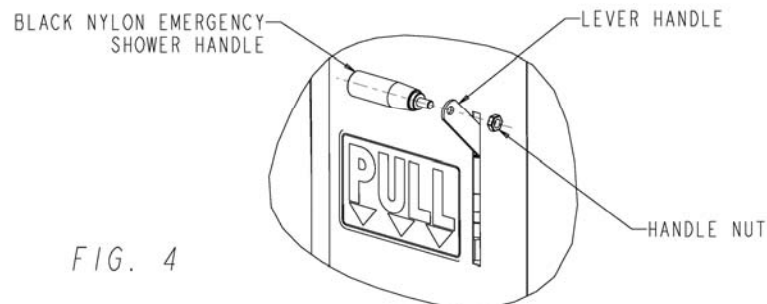


FIG. 4

7. Turn water supply on and test the eye/face wash & shower.

OPERATION

The *eye/face wash* is activated by pulling the eye/face wash arms down to the open position. Once the eye/face wash is activated water will discharge from the spray heads until the unit is manually shut off. To shut off, lift back onto the upright off position.

The *shower* is activated by pulling/pushing the handle in the downward direction to the full open position. Once the valve is activated the head will continue to discharge water until the valve is manually closed. The unit is shut off by pulling/pushing the handle in the upward direction to the complete off position.

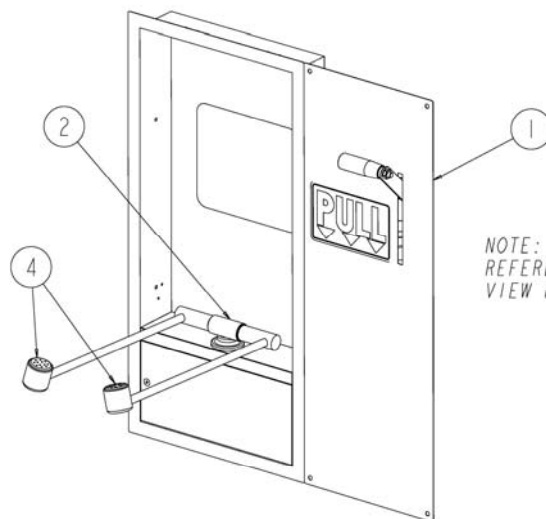
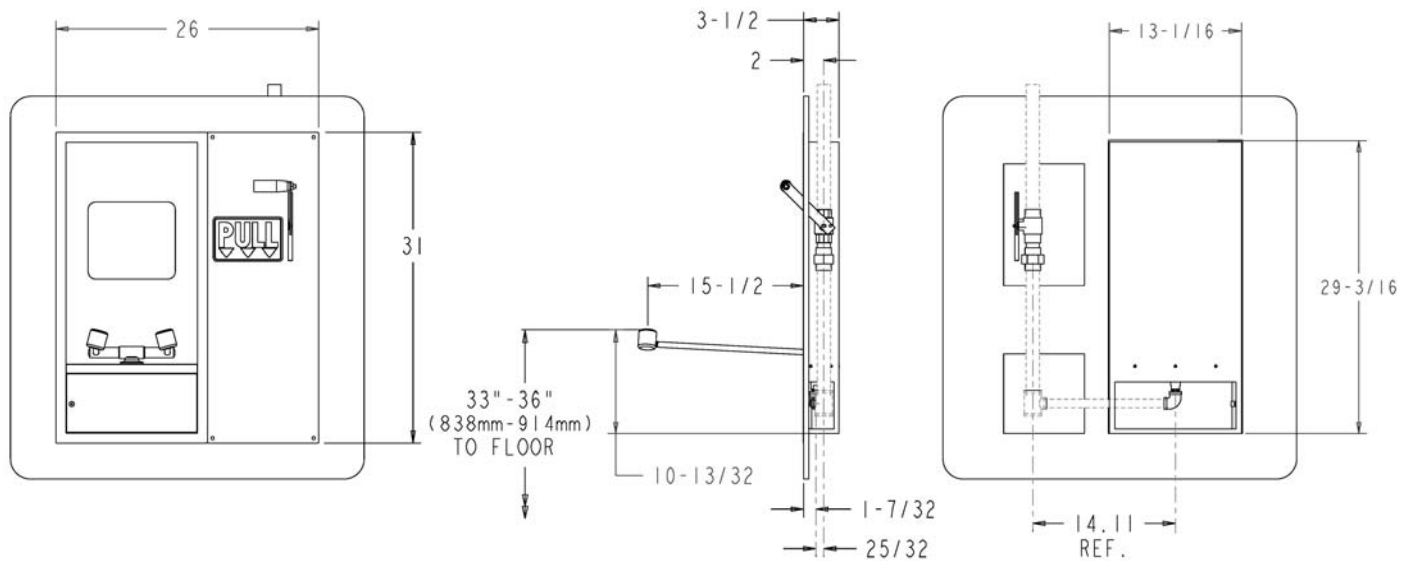
TESTING PROGRAM

The American National Standards Institute (ANSI) states that all safety emergency equipment shall be activated on a weekly basis to flush the line and verify proper operation. Speakman Company furnishes a testing record tag (91-0635) with each unit. On this tag the date of inspection and the inspector's initials should be noted.

MAINTENANCE

Should you need to repair components behind the wall (valve, lever handle, etc.); the cover panel is removed by following these instructions.

1. Shut off water supply before doing any repair to this unit.
2. Position lever handle in the half-open (horizontal) position, and remove black plastic rotating handle from lever handle.
3. Remove the (4) fasteners that attach the cover panel to the wall, and slide the cover panel off. This will give you full access to valve and lever handle inside the wall.
4. Once repair is made follow above instructions in reverse to reassemble handle and panel cover. ***Be sure to turn water supply back on once repairs are final.***



NOTE: VALVE NOT SHOWN IN THIS VIEW.
REFERENCE FIG.1, FIG.2, AND ROUGH-IN
VIEW FOR VALVE LOCATION.

SE-575-SD-237 & SE-575-SD-238 REPLACEMENT/REPAIR PARTS

<u>ITEM</u>	<u>PART/GROUP #</u>	<u>DESCRIPTION</u>
1	RPG20-1985	1" Emergency Shower Ball Valve
2A	SE-890	10" Brass Shower Head for SE-575-SD-237 (shown in Fig. 3)
2B	SE-800	8" Brass Shower Head for SE-575-SD-238 (shown in Fig. 3)
3	G20-2010-RCP	Swing Down Eye/Face Wash Valve Assembly
4	RPG38-0416	Non-Aerated Spray Head Assembly
	RPG05-0673	Internal O-rings, Screws for Eye/Face Wash Valve (not shown)

WARNING: Use only genuine Speakman parts when repairing or replacing components. To order parts call 1-800-537-2107.

FLOW DATA

EYE/FACE WASH:

FLOW PRESSURE PSI (BAR)	30 (2.07)
FLOW RATE GPM (LPM)	3.9 (15)

NOTE: This unit should be connected to an uninterrupted source of potable water, with a minimum flowing pressure of 30 PSI and a maximum static pressure of 125 PSI.

SHOWER:

FLOW PRESSURE PSI (BAR)	20 (1.38)	60 (4.14)
FLOW RATE GPM (LPM)	20 (75)	25 (94)

Note: All units meet existing ANSI Z358.1 Standards and OSHA Rules. Product improvements may cause specification and dimensional changes without notice.

SPEAKMAN[®]

PO Box 191 Wilmington, DE 19899 Phone: 800-537-2107 Fax: 800-977-2747
Visit us on the web at www.speakmancompany.com