

SPEAKMAN®

SC-3060 thru SC-3099 Installation, Operation, & Maintenance Instructions COMMANDER® CENTERSET LAVATORY COMBINATION

DESCRIPTION

Speakman polished chrome plated COMMANDER centerset lavatory faucet combination with PERFECT® valves. 1/4 turn ceramic cartridges covered by a 25 year Silver warranty. Vandal-resistant handles with color-coded indexes. Brass gooseneck (swivel or rigid) or brass integral spout. Accommodates installations up to 7/8" thick. Water conserving aerated outlet device reduces flow to 2.2 GPM/8.4 LPM to meet existing ASME A112.18.1/CSA B125.1 Standard (Note- Vandal-resistant on gooseneck centerset only). 1/2-14 NPSM male threaded inlet shanks.

SPECIFICATIONS

SUPPLY: 1/2-14 NPSM COMPRESSION COUPLING OR 1/2 COPPER SWEAT CONNECTIONS.

FLOW RATE: 2.2 GPM/8.4 LPM (MAX)

SHIPPING WEIGHT: 4.6 LBS. (SC-3084-LD)

STATIC PRESSURE: 20-80 PSI

OPTIONS

| | | | |
|--|--|--|---|
| •BO - Vandal-Resistant 0.5 BOCA Flow Regulator | •ST - Serrated Tip (Vacuum Breaker Models Only) | •GB - Vandal-Resistant 1.5 GPM Aerator Outlet Device | •FC - Laminar Flow 2.0 GPM Plain End Spout |
| •SW - Swivel Spout Assembly (Vacuum Breaker Models Only) | •LF - Vandal-Resistant 2.2 GPM Laminar Flow Outlet | •VR - Vandal-Resistant Aerator (2.2 GPM), (Regular Centerset Only) | •VB6 - 6" Spread Rigid Vacuum Breaker Spout |
| •VB8 - 8" Spread Rigid Vacuum Breaker Spout | •5 - 5-1/4" Spread Gooseneck Spout | •8 - 8" Spread Gooseneck Spout | •9 - 9" Deep Tubular Swing Spout |
| •LD - Less Drain | | | |

INSTALLATION INSTRUCTIONS

Important- If installing an optional **VB8/6** Rigid vacuum breaker spout and space is limited between deck fitting holes and backsplash/wall, install the spout to the centerset body at this time (See Step #5).

1) Apply sealant around base underside of centerset body. Place body in the proper position on the sink or countertop and push down firmly to seal. **2)** Working from under the bowl/sink, slip cup washers onto shanks and screw locknuts up hand tight. Using a basin wrench, tighten locknuts. Wipe off any excess sealant from around the body base. **3)** Connect water supplies to the inlets of the shanks and tighten coupling nuts with a wrench. **4)** If applicable, assemble trim sleeves, handles, handle screws, & indexes to the hot and cold 1/4 turn valves. **5)** If applicable, assemble gooseneck to centerset body. NOTE- For rigid gooseneck, place locking washer in gooseneck outlet of body before assembling gooseneck. Wrench tighten gooseneck collar nut. **For Rigid Vacuum Breaker Spout- VB6/8 (Less "ST" option):** Make sure the locking washer is removed from gooseneck outlet of body. **IMPORTANT-** Install rigid adapter into body outlet and wrench tighten (See Rough-In on back side of sheet). Apply thread locker/sealant to the spout tapered pipe threads. Screw the spout into the adapter until the threads start to get snug. Note- When positioning the spout, hold adapter hex with a wrench, so the centerset body does not move. Holding the hex of the adapter with a wrench, tighten the spout at least 1/3 turn to the proper position (Do not over tighten spout). Remember that the thread locker/sealant will lock and seal the spout assembly in place. **6)** With drain installed (see drain instructions), turn water supplies on and flush both hot and cold sides of faucet. If applicable, install outlet device. Check all connections for leaks.

SPEAKMAN®

400 Anchor Mill Rd. New Castle, DE 19720
01/12

Phone: 800-537-2107

Visit us on the web at www.speakmancompany.com

Fax: 800-977-2747

SC-3060-3099-IOM-R5

DRAIN INSTALLATION INSTRUCTIONS

POP-UP DRAIN: 1) Unscrew guide plug from tee/tube. Remove lift plug, locknut, fibre washer, and rubber washer from guide plug. Apply sealant around underside of flange on guide plug. Insert guide plug through drain hole in sink and reassemble rubber washer, fibre washer, and locknut. Hand tighten locknut. **2)** Insert fibre washer into tee/tube (Pipe sealant can also be used with washer). Assemble tee/tube to guide plug and tighten. Position ball rod hole so it faces back of lavatory and hold in place while wrench tightening guide plug locknut. **3)** Insert lift plug, with the lower hole properly positioned for the ball rod, into guide plug. From under sink, insert o-ring into ball rod hole. Lube ball of ball rod with o-ring lube and insert into ball rod hole. Assemble ball rod nut and tighten. **4)** Insert lift rod through hole in centerset body. From under sink, slip lift rod through two holes of adjustable lift lever and hand tighten thumbscrew. Slide one side of spring clip onto ball rod. Select the proper hole in lift lever and slip lever onto ball rod. Bend other side of clip onto ball rod and slide into the proper position. **5)** Adjust lift rod in lift lever, so that the top of the lift rod knob is $\frac{3}{4}$ " from the top of the centerset body when the drain is in the open position. Tighten the lift lever thumbscrew onto the lift rod. **6)** Remove the tailpiece, apply thread sealant to the threads and reinstall back into the drain. Tighten the tailpiece and install the trap. Check drain system for leaks. **STRAINER DRAIN: 1)** Screw the locknut all the way down on drain. Slide the fibre and rubber washers all the way down. **2)** Remove top flange and apply sealant around underside of the flange. Properly position flange in sink and press into place. From under the sink, insert the tailpiece into the sink and screw into the top flange, while holding the flange in place. Hand tighten. **3)** Again holding top flange in place, screw locknut up against the sink and wrench tighten. Install the trap and check drain system for leaks.

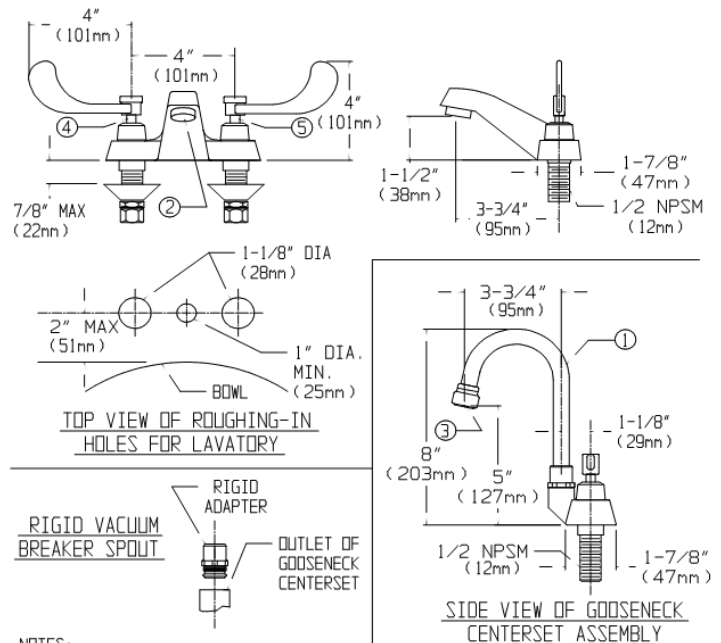
OPERATION

Simply rotate the handles $\frac{1}{4}$ turn maximum to operate the lavatory faucet.

MAINTENANCE (CARE and CLEANING)

Valves are washerless and require no routine maintenance. The gleaming finish of your SPEAKMAN Commander lavatory faucet can be cleaned by using mild soap and warm water. Dry immediately with a soft, clean cloth for best results.

ROUGH-IN MEASUREMENTS



NOTES:

1. ALL DIMENSIONS ARE IN INCHES (MILLIMETERS) UNLESS OTHERWISE SPECIFIED AND ARE SUBJECT TO CHANGE WITHOUT NOTICE.
2. INLETS ARE SIZED FOR EITHER COUPLING OR SWEAT CONNECTIONS.
3. SC-3064-LD ROUGH-IN PICTURED ABOVE.

REPAIR/REPLACEMENT PARTS

| ITEM NUMBER | PART NUMBER | DESCRIPTION |
|-------------|---------------|---|
| 1 | RPG18-0232-PC | STANDARD 5" SPREAD GOOSENECK ASSEMBLY |
| 2 | RPG05-0797-PC | 2.2 GPM AERATOR ASSEMBLY (Regular Centerset Only) |
| 3 | RPG05-0674-PC | 2.2 GPM AERATOR ASSEMBLY (Gooseneck Centerset) |
| 4 | RPG05-0532 | PERFECT® VALVE GROUP (RED) W/TRIM SLEEVE AND SCREW |
| 5 | RPG05-0533 | PERFECT® VALVE GROUP (BLUE) W/TRIM SLEEVE AND SCREW |

SPEAKMAN®

400 Anchor Mill Rd. New Castle, DE 19720
01/12

Visit us on the web at www.speakmancompany.com

Phone: 800-537-2107

Fax: 800-977-2747

SC-3060-3099-IOM-R5